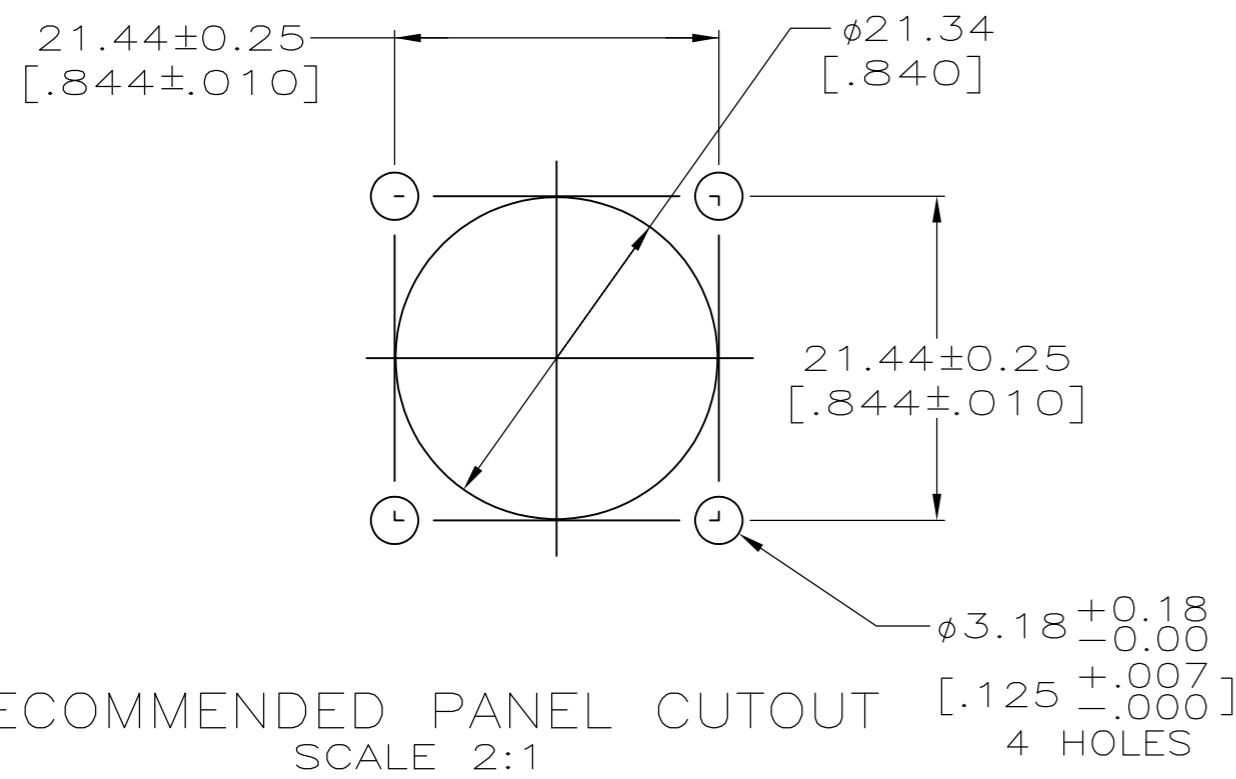
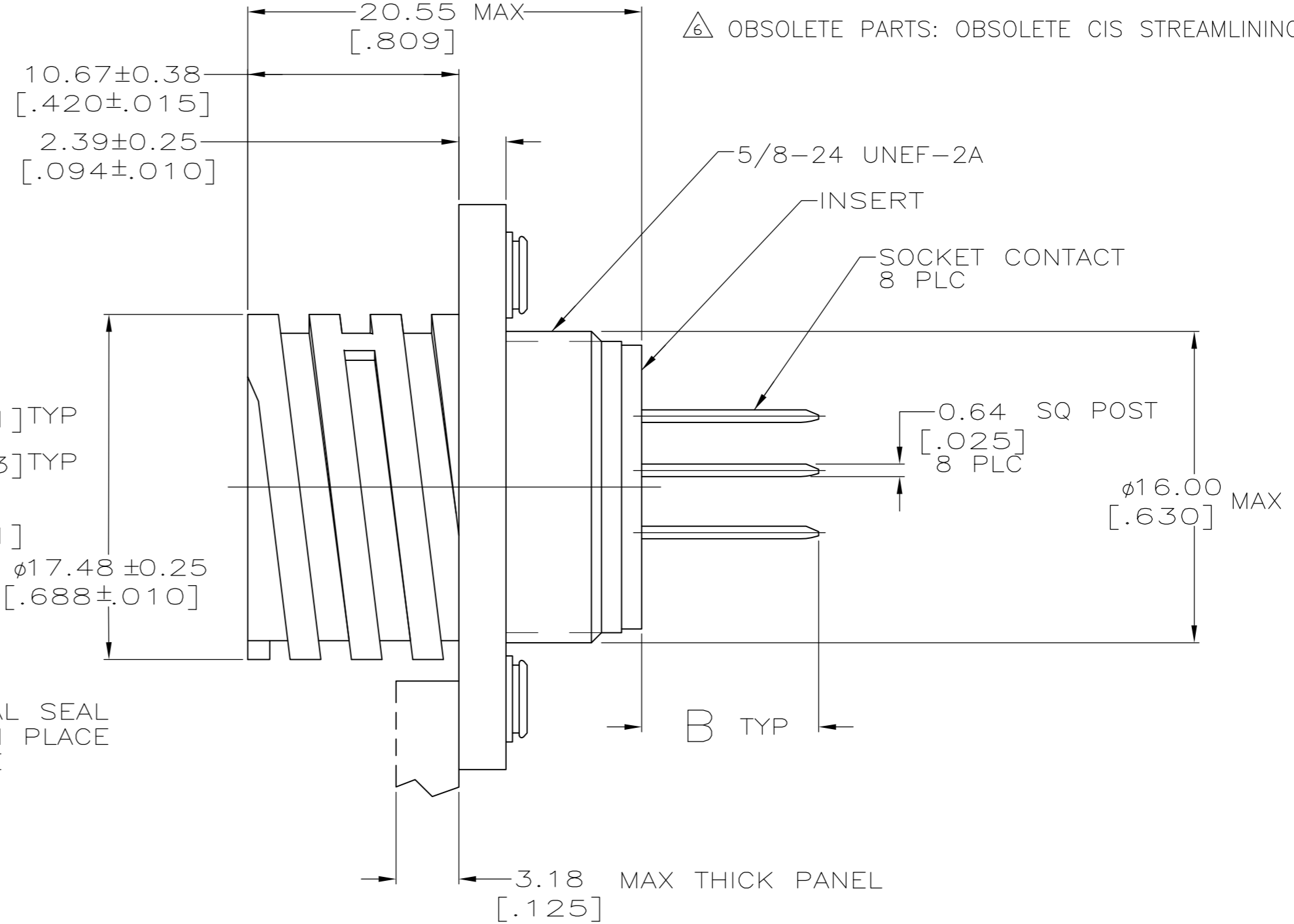
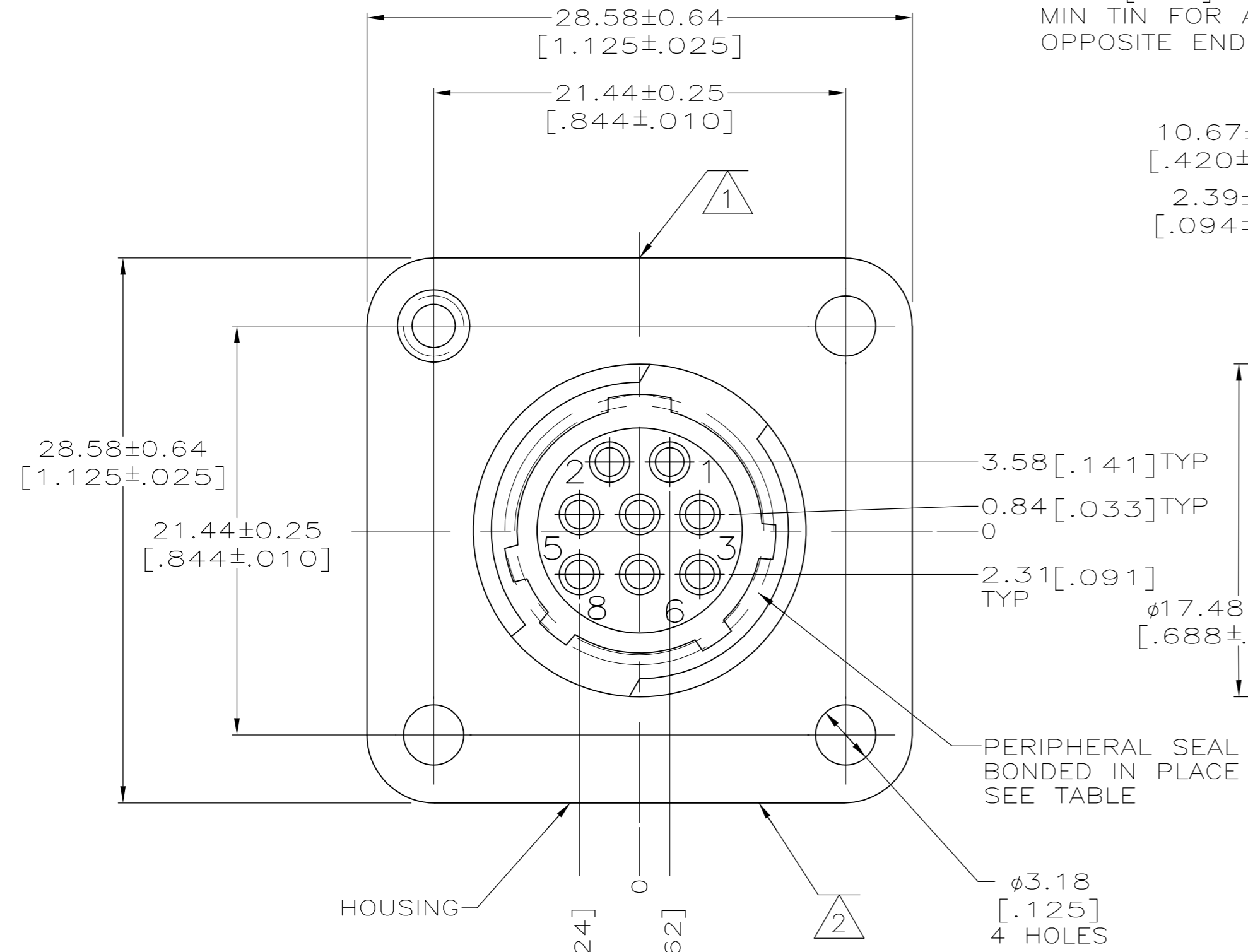


THIS DRAWING IS UNPUBLISHED. RELEASED FOR PUBLICATION  
 © COPYRIGHT - By - ALL RIGHTS RESERVED.

REVISIONS					
P	LTR	DESCRIPTION	DATE	DWN	APVD
H		REVISED PER ECO-06-3414	2/22/06	SS	SH
H1		REVISED PER ECO-09-021510	11SEP09	KK	AEG
J		REVISED PER ECO-17-004657	05APR2017	RS	MZ

- 1 AMP MOLDED ON THIS SURFACE.
- 2 PART NUMBER AND DATE CODE MARKED ON THIS SURFACE.
- 3 NYLON, GLASS FILLED, FLAME RETARDANT, BLACK.
- 4 0.76um [.000030] MIN GOLD FOR A LENGTH OF 2.54 [.100] MIN FROM MATING END, 2.54um [.000100] MIN TIN-LEAD FOR A LENGTH OF 9.70 [.382] MIN FROM OPPOSITE END, BOTH OVER 1.27um [.000050] MIN NICKEL.
- 5 0.76um [.000030] MIN GOLD FOR A LENGTH OF 2.54 [.100] MIN FROM MATING END, 2.54um [.000100] MIN TIN FOR A LENGTH OF 9.70 [.382] MIN FROM OPPOSITE END, BOTH OVER 1.27um [.000050] MIN NICKEL.

6 OBSOLETE PARTS: OBSOLETE CIS STREAMLINING PER D.RENAUD/D.SINISI



RECOMMENDED PANEL CUTOUT SCALE 2:1

CONTACT FINISH	PERIPHERAL SEAL	THREADED INSERT	DIM B	PART NUMBER
5	NO	NO	8.94±0.76 [.352±.030]	1-208657-1
5	NO	YES	14.58±0.76 [.574±.030]	1-208657-0
6 OBSOLETE	NO	NO	12.17±0.76 [.479±.030]	208657-9
4	NO	NO	12.17±0.76 [.479±.030]	208657-8
OBSOLETE	YES	YES	14.58±0.76 [.574±.030]	208657-7
OBSOLETE	NO	NO	8.94±0.76 [.352±.030]	208657-6
4	NO	YES	14.58±0.76 [.574±.030]	208657-5
6 OBSOLETE	NO	YES	-	208657-4
OBSOLETE	NO	NO	-	208657-3
OBSOLETE	NO	NO	8.94±0.76 [.352±.030]	208657-2
4	NO	NO	8.94±0.76 [.352±.030]	208657-1

THIS DRAWING IS A CONTROLLED DOCUMENT.

DWN L. SIPE 05/16/90	 TE Connectivity	POSTED RECEPTACLE ASSEMBLY, ARRANGEMENT 11-8, TYPE 20 DF CONTACTS, CPC				
CHK J. McCLINTON 5/30/90						
APVD M. KAPEZYNSKI 5/30/90						
PRODUCT SPEC 108-10024						
MATERIAL 4-40 THREADED INSERTS: BRASS	FINISH -	WEIGHT -	SIZE A2	CAGE CODE 00779	DRAWING NO C=208657	RESTRICTED TO -
HOUSING AND INSERT: 6	SOCKET CONTACTS: PHOSPHOR BRONZE	CUSTOMER DRAWING	SCALE 4:1	SHEET 1 OF 1	REV J	