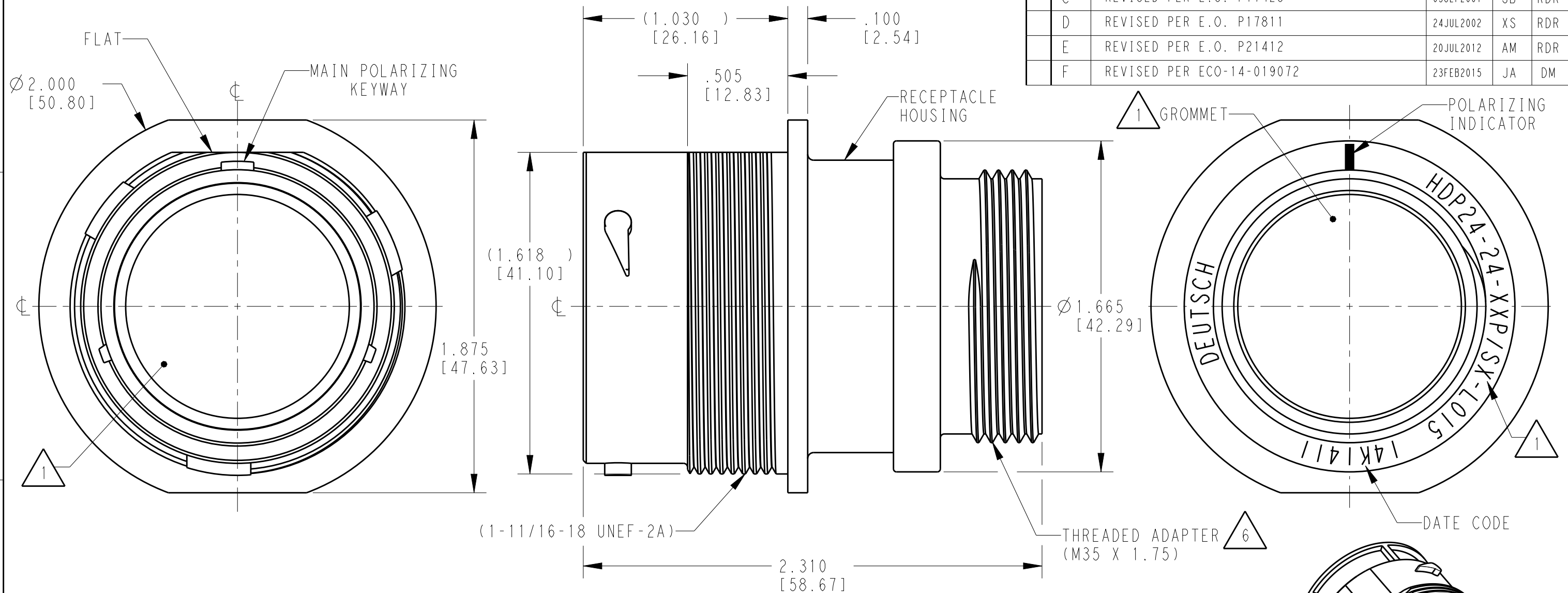
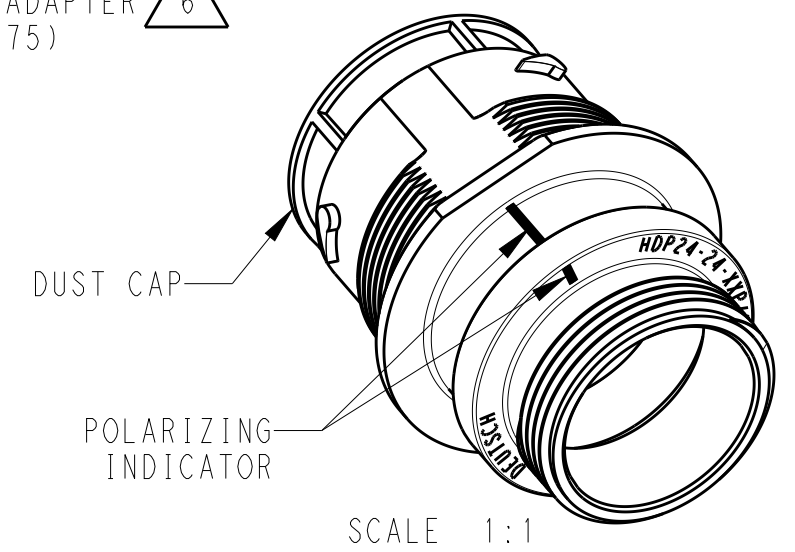


LOC	DIST	REVISIONS			
P	LTR	DESCRIPTION	DATE	DWN	APVD
	C	REVISED PER E.O. P17423	05SEP2001	SB	RDR
	D	REVISED PER E.O. P17811	24JUL2002	XS	RDR
	E	REVISED PER E.O. P21412	20JUL2012	AM	RDR
	F	REVISED PER ECO-14-019072	23FEB2015	JA	DM



- 5. RECEPTACLE IS SUPPLIED WITH DUST CAP (2415-001-2405).
- 4 MATERIAL: RECEPTACLE HOUSING: PA66 GF10 (BLACK)  
 CONDUIT ADAPTER: PA66 GF10 (GREEN, GRAY, BLUE)  
 GROMMET: SILICONE (ORANGE-RED)
- 3 SEE 0425-021-0000 APPLICATION SPECIFICATION  
 A. RECOMMENDED WIRE INSULATION RANGE  
 B. CONTACT REMOVAL TOOLS  
 C. RECOMMENDED MOUNTING HOLE & PANEL THICKNESS  
 D. MOUNTING HARDWARE & MOUNTING TORQUE.

- 7. PART MODIFICATION: THREADED ADAPTER
- 6 CONDUIT ADAPTER ACCEPTS EITHER TYPES:  
 A. CONDUIT ADAPTER CAP NUT (CN21) AND SEAL RING (SRN21)  
 B. BACKSHELL (M902-2243)  
 COMPRESSION NUT (M902-2053)  
 CABLE Ø .430-.570 [10.92-14.78]  
 C. BACKSHELL (M902-2244)  
 COMPRESSION NUT (M902-2054)  
 CABLE Ø .570-710 [14.78-18.03]



- 2. THIS RECEPTACLE MATES WITH HDP26-24-XXP/SX-XXXX PLUG  
 X = SEAL TYPE (N,T,E)  
 XX = INSERT ARRANGEMENT  
 XXXX = MODIFICATION
- 1 SEE CUSTOMER DRAWING, 0425-014-2400 FOR AVAILABLE INSERT ARRANGEMENTS AND PART NUMBERS.

NOTES:

THIS DRAWING IS A CONTROLLED DOCUMENT.		DWN	04SEP1997	TE Connectivity	NAME RECEPTACLE, THREADED SIZE 24, -L015 MOD HDP SERIES
DIMENSIONS: INCHES [mm]		CHK	19JUL2002		
TOLERANCES UNLESS OTHERWISE SPECIFIED:		APVD	23JUL2002		
0 PLC ± 1 PLC ± 2 PLC ± 3 PLC ±.015 [0.38] 4 PLC ± ANGLES ±0°30'0"		STEVE BEARD	STEVE BEARD		
MATERIAL	FINISH	PRODUCT SPEC	0425-021-0000	SIZE	A3
		APPLICATION SPEC	3	CAGE CODE	4AFU8
		WEIGHT		DRAWING NO	HDP24-24-XXP/SX-L015
		Customer Drawing		RESTRICTED TO	
				SCALE	2:1
				SHEET	1 OF 1
				REV	F