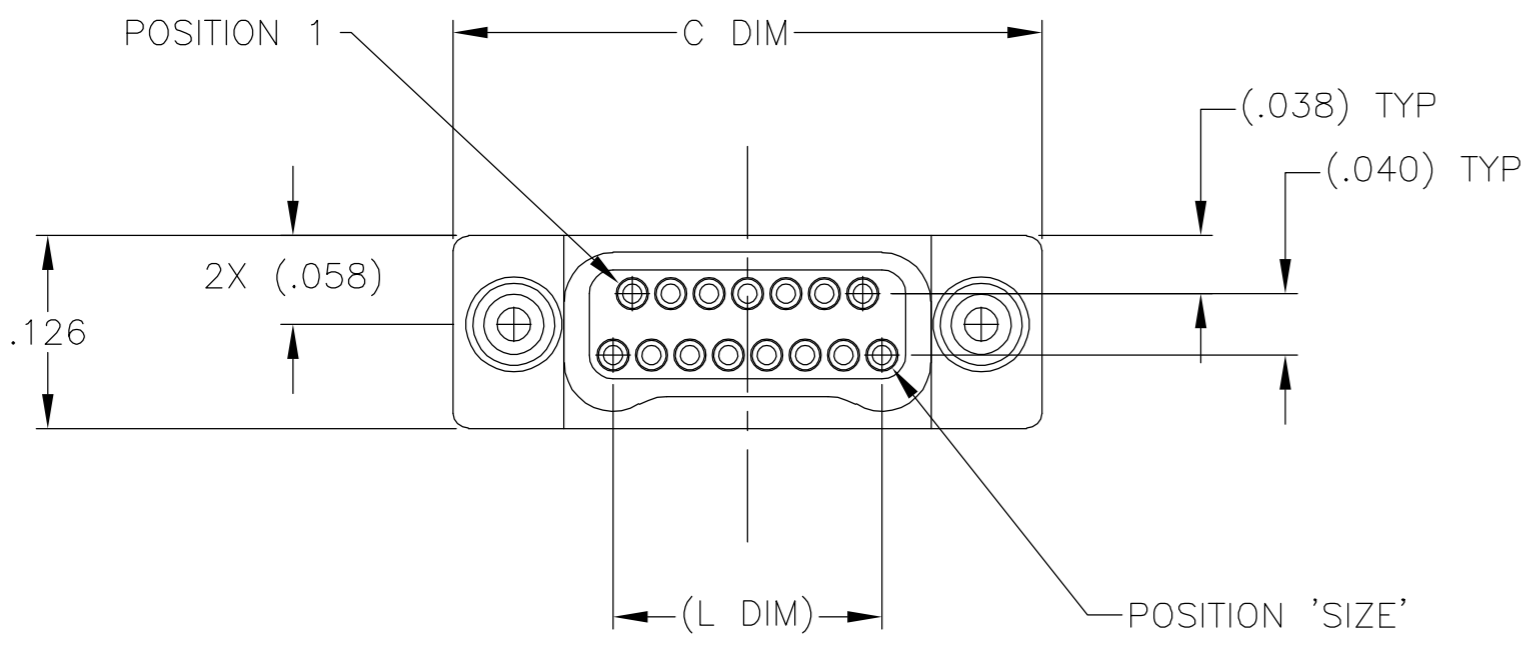
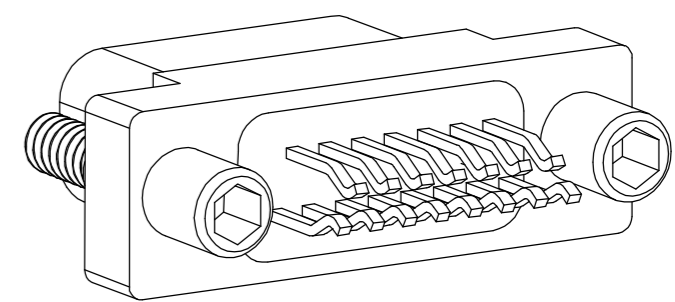
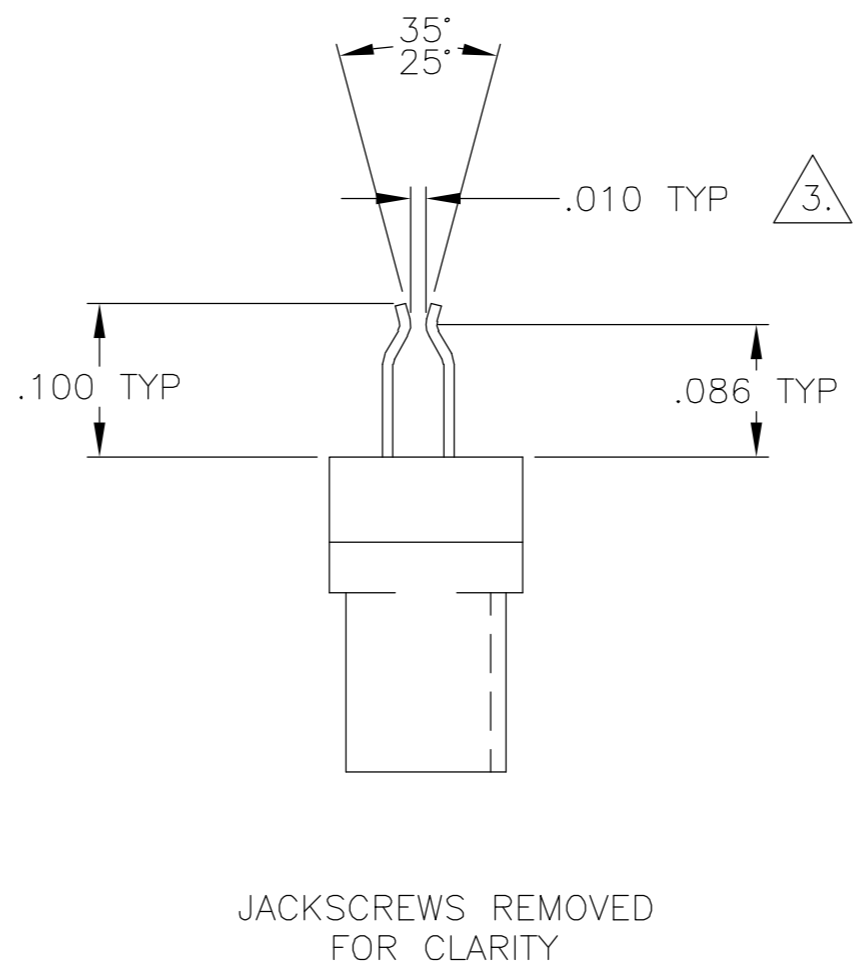
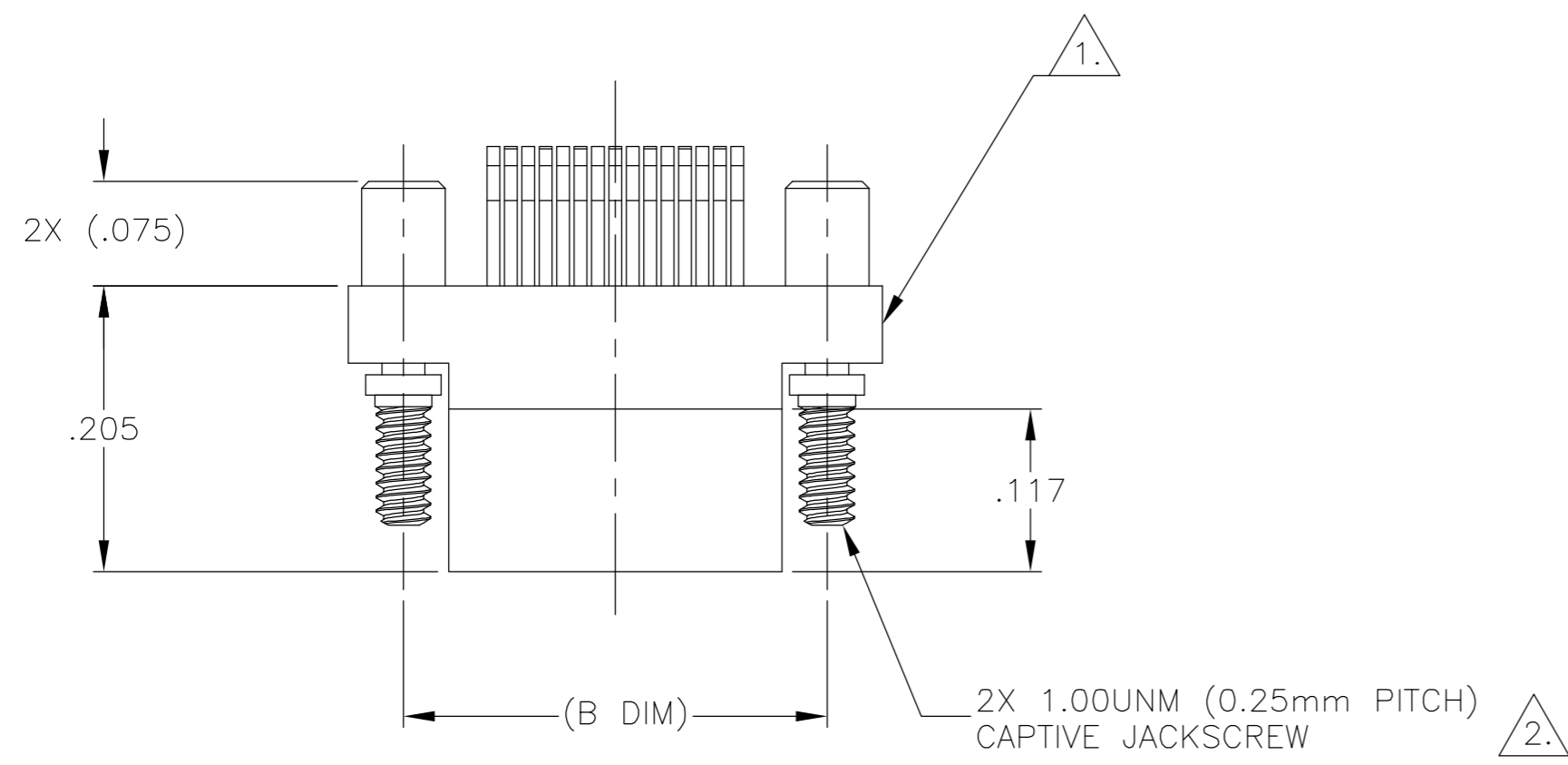


THIS DRAWING IS UNPUBLISHED. RELEASED FOR PUBLICATION  
 © COPYRIGHT BY TYCO ELECTRONICS CORPORATION. ALL RIGHTS RESERVED.

LOC		DIST		REVISIONS			
P	LTR	DESCRIPTION		DATE	DWN	APVD	
	D	UPDATE PER 0H2Y-0164-04		05-12-04	JDM	MKS	



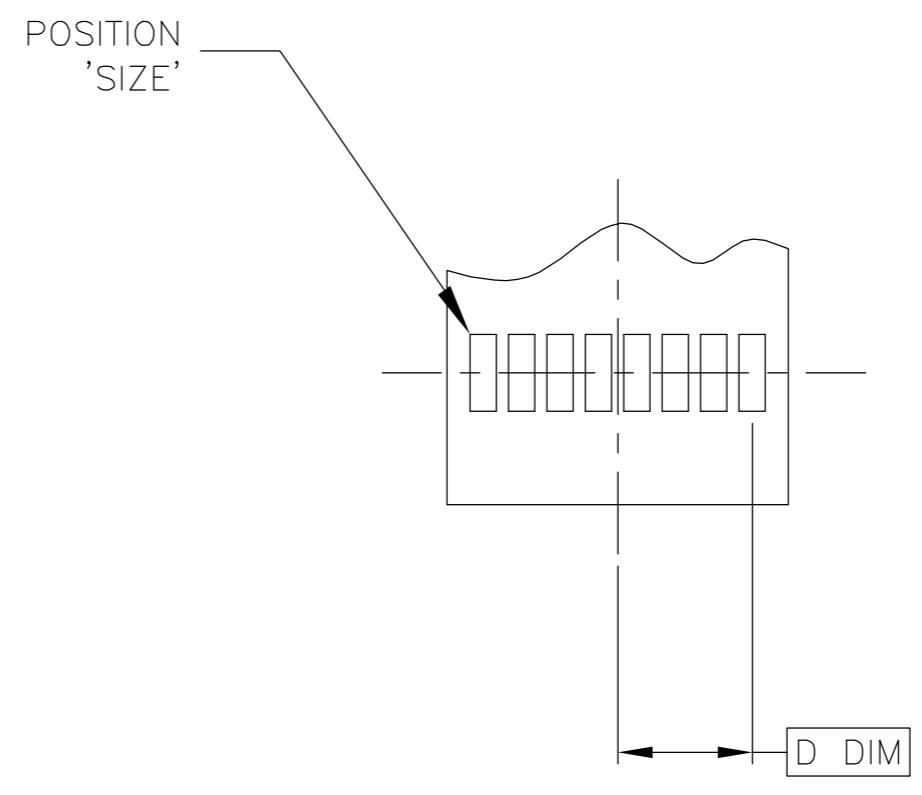
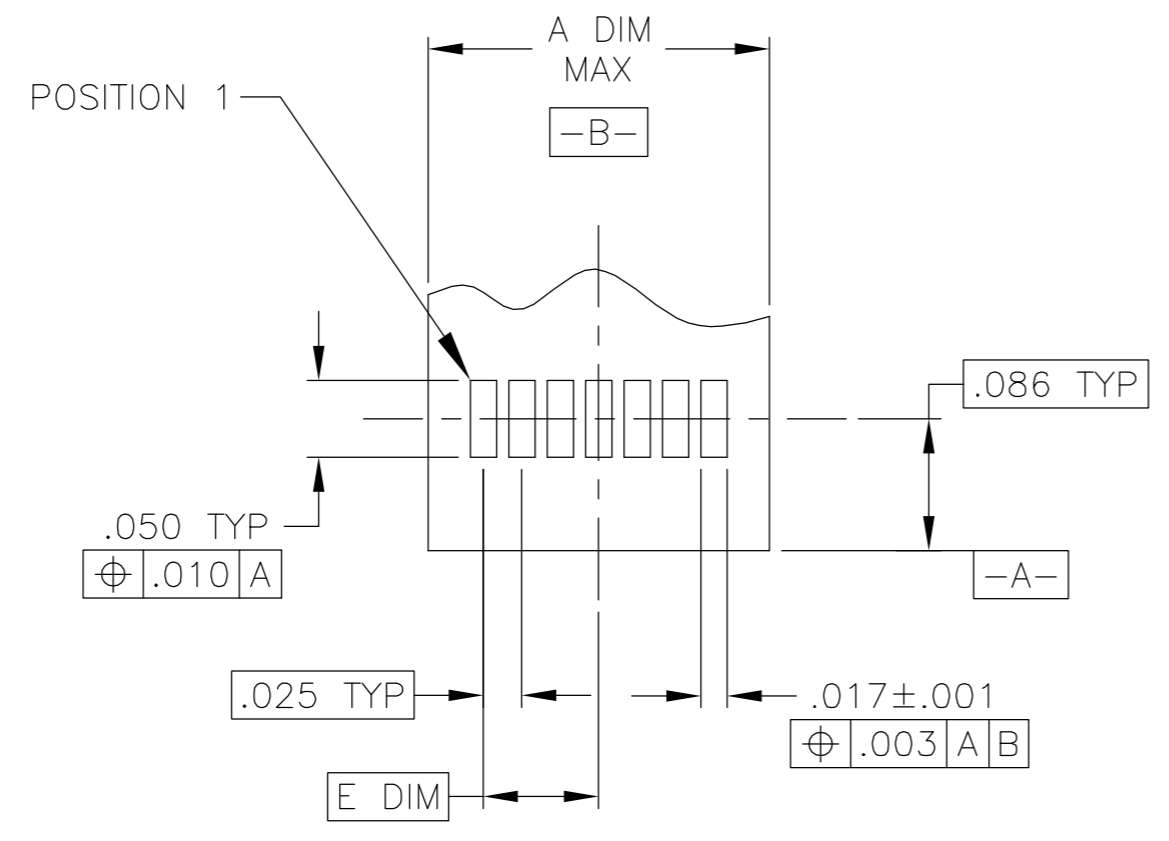
SIZE	(B DIM)	C DIM ±.0050	(L DIM)
09	(.229)	.3085	(.100)
15	(.304)	.3835	(.175)
25	(.429)	.5085	(.300)
37	(.579)	.6585	(.450)
51	(.754)	.8335	(.625)
65	(.929)	1.0085	(.800)

- 1. SHELL OPTIONS (TO BE SPECIFIED IN NANONICS PART NUMBER):  
 METAL: 6061-T6 ALUMINUM, ELECTROLESS NICKEL PLATED PER MIL-C-26074 (STANDARD) OR GOLD PLATED PER MIL-G-45204  
 303 STAINLESS STEEL, PASSIVATED PER SAE-AMS-QQ-P-35  
 INSULATOR MATERIAL FOR ALL METAL SHELLS IS LIQUID CRYSTAL POLYMER (LCP) PER MIL-M-24519 OR PER ASTM D5138  
 PLASTIC: LIQUID CRYSTAL POLYMER (LCP) PER MIL-M-24519 OR PER ASTM D5138
- 2. STANDARD 1.00UNM CAPTIVE JACKSCREWS ARE SHOWN FOR REFERENCE ONLY AND MUST BE SPECIFIED IN THE NANONICS PART NUMBER WHEN REQUIRED. JACKSCREW MATERIAL IS 303 STAINLESS STEEL, PASSIVATED PER SAE-AMS-QQ-P-35, AND DRY LUBED PER DOD-L-85645. RETAINING RING IS 17-4 STAINLESS STEEL, PASSIVATED PER SAE-AMS-QQ-P-35. JACKSCREWS HAVE A .9mm HEX SOCKET HEAD. 1.20UNM JACKSCREWS ALSO AVAILABLE.
- 3. LEAD MATERIAL: HH BRASS, TIN LEAD PLATED 60/40 COMPOSITION PER SAE-AMS-P-81728
- 4. NANONICS TERMINATION CODE: 11378
- 5. THIS DRAWING PREVIOUSLY IDENTIFIED AS NANONICS 303-0037-XX

THIS DRAWING IS A CONTROLLED DOCUMENT.		DWN M. STORRY 05-13-99	Tyco Electronics Corporation Harrisburg, PA 17105	
DIMENSIONS: INCHES		CHK E. PAULUS 06-10-99		
TOLERANCES UNLESS OTHERWISE SPECIFIED:		APVD -	NAME	
0 PLC ± - 1 PLC ± - 2 PLC ± .010 3 PLC ± .005 4 PLC ± - ANGLES ± 1°		PRODUCT SPEC -	PLUG ASSEMBLY, TWO ROW DUALOBE, DUCKBILL LEADS, PLASTIC OR METAL	
MATERIAL SEE NOTES		APPLICATION SPEC -	SIZE A2	CAGE CODE 00779
FINISH SEE NOTES		WEIGHT -	DRAWING NO C=1589066	RESTRICTED TO -
		CUSTOMER DRAWING	SCALE 8:1	SHEET 1 OF 2 REV D

THIS DRAWING IS UNPUBLISHED. RELEASED FOR PUBLICATION  
 © COPYRIGHT BY TYCO ELECTRONICS CORPORATION. ALL RIGHTS RESERVED.

LOC	DIST	REVISIONS					
DF	DO	P	LTR	DESCRIPTION	DATE	DWN	APVD
		D		UPDATE PER 0H2Y-0164-04	05-12-04	JDM	MKS



FLEX TOP VIEW  
 SIZE 15 SHOWN FOR REFERENCE

FLEX BOTTOM VIEW

TYPICAL FLEX PAD LAYOUT

SIZE	A DIM MAX	D DIM	E DIM
09	.150	.0500	.0375
15	.225	.0875	.0750
25	.350	.1500	.1375
37	.500	.2250	.2125
51	.675	.3125	.3000
65	.850	.4000	.3875

THIS DRAWING IS A CONTROLLED DOCUMENT.		DWN M. STORRY 05-13-99	Tyco Electronics Corporation Harrisburg, PA 17105	
DIMENSIONS: INCHES		CHK E. PAULUS 06-10-99		
		TOLERANCES UNLESS OTHERWISE SPECIFIED: 0 PLC ± - 1 PLC ± - 2 PLC ± .010 3 PLC ± .005 4 PLC ± - ANGLES ± 1°		NAME
MATERIAL		FINISH		PRODUCT SPEC APPLICATION SPEC WEIGHT CUSTOMER DRAWING
			SIZE CAGE CODE DRAWING NO RESTRICTED TO	PLUG ASSEMBLY, TWO ROW DUALOBE, DUCKBILL LEADS, PLASTIC OR METAL
			SCALE 8:1 SHEET 2 OF 2 REV D	A2 00779 C=1589066