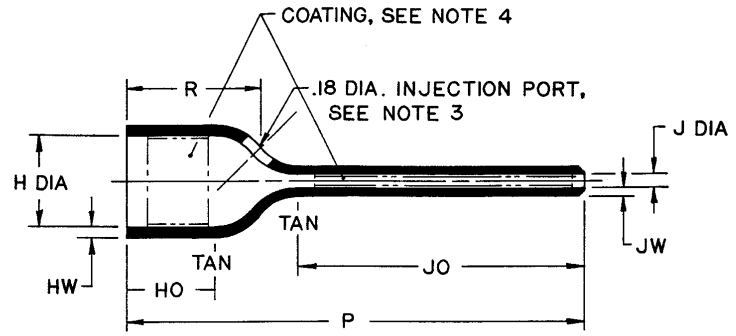


REVISIONS			
LTR	DESCRIPTION	DATE	APPROVED
A		3-18-83	<i>[Signature]</i>



NOTES:

- All dimensions are in inches (millimeters).
- Dimensions appearing in table are as follows:
  - As supplied
  - After unrestricted recovery
- When (-00) modification no. is specified, part shall have injection port located as shown and shall be supplied with plug 002A011 of same material.
- When slash no. is specified, parts shall be coated as shown.

ORDERING INFORMATION:

Base part number 202A921 -3 -00 /42  
 Material dash number \_\_\_\_\_  
 -3 Polyolefin, semi-rigid (RT-301)  
 -4 Polyolefin, flexible (RT-1304)  
 -12 Viton, flexible (RT-1312)  
 -25 Elastomer, fluid resistant (RT-1325)  
 Modification number \_\_\_\_\_  
 -00 Injection port  
 Slash number \_\_\_\_\_  
 /42 S1017 Adhesive (For -3 & -4 material only)

PART NO.	H		J			P	R	HO	JO	HW	JW
	Min	Max	Min	Max	±10%						
	a	b	<sup>-25</sup> / <sub>-35</sub> & <sup>a</sup> / <sub>-4</sub>	-12	b						
202A921	.76 (19,3)	.51 (13,0)	.25 (6,3)	.18 (4,5)	.08 (2,1)	2.38 (60,5)	.70 (17,8)	.46 (11,7)	1.49 (37,8)	.06 (1,52)	.045 (1,14)

SPECIFICATION CONTROL DRAWING

THIS DRAWING AND THE INFORMATION SET FORTH HEREON ARE THE PROPERTY OF RAYCHEM CORPORATION, AND ARE TO BE HELD IN TRUST AND CONFIDENCE. PUBLICATION, DUPLICATION, DISCLOSURE, OR USE FOR ANY PURPOSE NOT EXPRESSLY AUTHORIZED IN WRITING BY RAYCHEM CORPORATION IS PROHIBITED.  DO NOT SCALE THIS DRAWING	DRAWN	<i>K. J. J. 12/24/77</i>	<b>Raychem</b> RAYCHEM CORPORATION 388 CONSTITUTION DRIVE MENLO PARK, CALIFORNIA 94025	
	CHECKED	<i>S. J. J. 12-29-77</i>		
	DSGN APPD	<i>RNC 1/5/78</i>		TITLE
	MFG APPD	<i>Red 1/5/78</i>		BOOT, STRAIGHT
	QC APPD	<i>S. J. J. 1/5/78</i>		PART NO.
	MKTG APPD	<i>B. Keppner 1/1/78</i>		202A921
		CODE IDENT.		
		NO. 08080		
			SHEET   OF	

If this document is printed it becomes uncontrolled.  
 Check for the latest revision.