

PLUG KIT PART NUMBER  
10135752-10XLF, SEE TABLE 2

OCTIS PLUG KIT, PWR, FIELD TERMINABLE, PITCH 26 MM

CONNECTOR FRONT VIEW

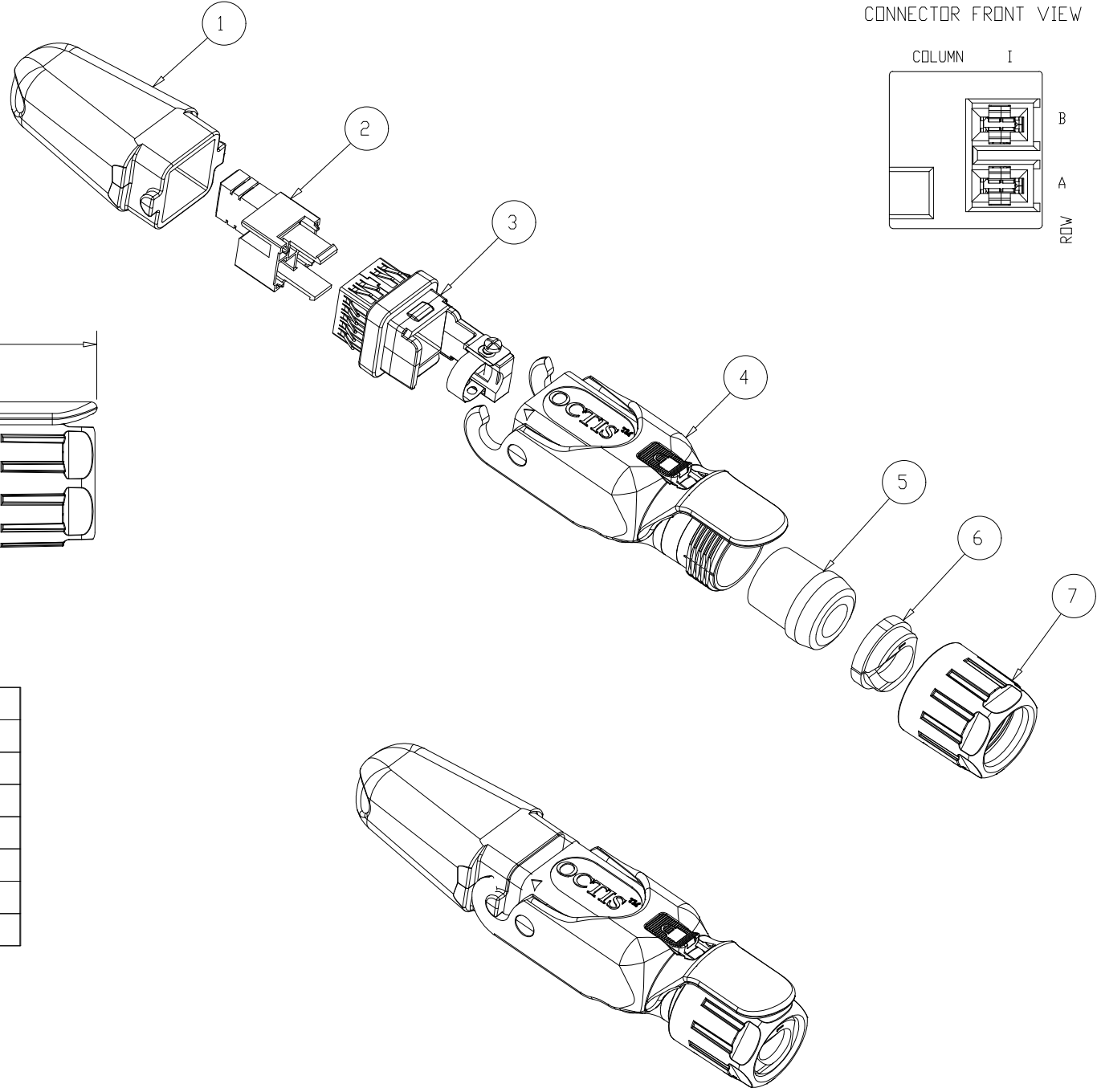
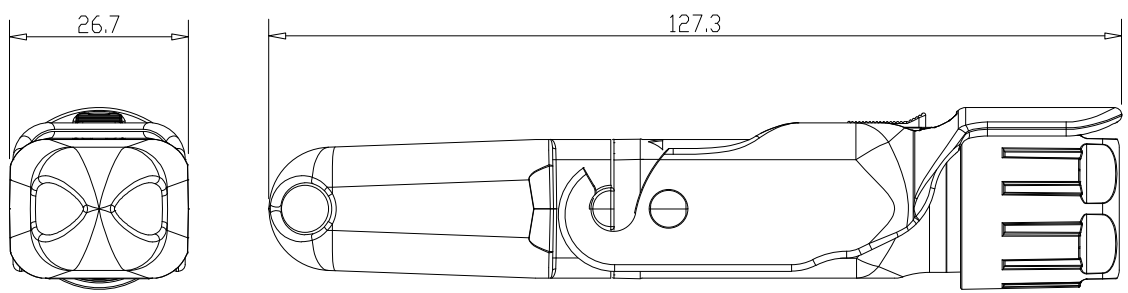
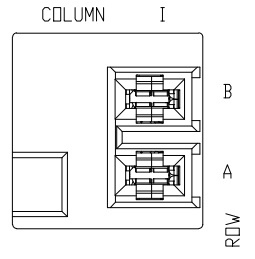


TABLE 1

SL. NO.	COMPONENT	MATERIAL	REMARKS
1	PLUG CAP	PBT GF	-
2	CABLE CONNECTOR-PWR	-	-
3	HOLDER SUBSET KIT	ZAMAK	PASSIVATED
4	HOUSING SUBSET KIT	PBT GF	-
5	RUBBER GLAND	NBR	SEE TABLE 2
6	TIGHTENING CONE	PA	-
7	GLAND NUT	PBT GF	COLOUR - ORANGE

TABLE 2

PLUG KIT PART NO	ROW	COLUMN	CABLE SPEC. AWG16 TO AWG14
		1	
10135752-101LF	B	X	ø9 FOR CABLE OD 7.6 Min TO 8.95 Max
	A	X	
10135752-102LF	B	X	ø8 FOR CABLE OD 6.6 Min TO 7.95 Max
	A	X	

mat'l. code		surface 58	tolerance	projection	product family
		ISO 1302	ISO 406 ISO 1101		OCTIS
ltr		ecn no	dr	date	title
A	-	SAL	2015-09-18	2015-09-18	OCTIS PLUG KIT, PWR FIELD TERMINABLE, PITCH 26 MM
B	ELX-I-22293	SAL	2015-10-26	2015-09-18	
C	ELX-I-23480	SAL	2016-03-05	2018-06-12	dwg no sheet 1 of 1 size 5 10135752 A3
D	ELX-I-24026	SAL	2016-05-04	2015-09-18	
E	ELX-I-30442	SAL	2018-06-12	2018-06-12	
sheet index		revision sheet	E	1	type Product Customer Drawing