



Grove – MOSFET User Manual

Release date: 2015/9/22

Version: 1.0

Wiki: [http://www.seeedstudio.com/wiki/Grove - MOSFET](http://www.seeedstudio.com/wiki/Grove_-_MOSFET)

Bazaar: <http://www.seeedstudio.com/depot/Grove-MOSFET-p-1594.html>

Document Revision History

| Revision | Date | Author | Description |
|----------|--------------|------------|-------------|
| 1.0 | Sep 22, 2015 | Jiankai.li | Create file |
| | | | |

Contents

| | |
|---------------------------------|---|
| Document Revision History | 2 |
| 1. Introduction | 2 |
| 2. Specification | 3 |
| 3. Interface | 4 |
| 4. Demonstration | 5 |
| 4.1 With Arduino | 5 |
| 4.2 With Raspberry Pi | 6 |
| 5. Resource | 8 |

Disclaimer

For physical injuries and possessions loss caused by those reasons which are not related to product quality, such as operating without following manual guide, natural disasters or force majeure, we take no responsibility for that.

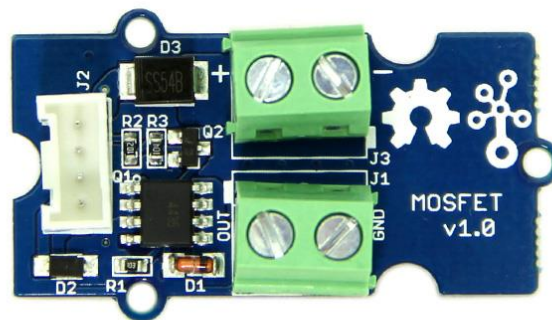
Under the supervision of Seeed Technology Inc., this manual has been compiled and published which covered the latest product description and specification. The content of this manual is subject to change without notice.

Copyright

The design of this product (including software) and its accessories is under tutelage of laws. Any action to violate relevant right of our product will be penalized through law. Please consciously observe relevant local laws in the use of this product.

1. Introduction

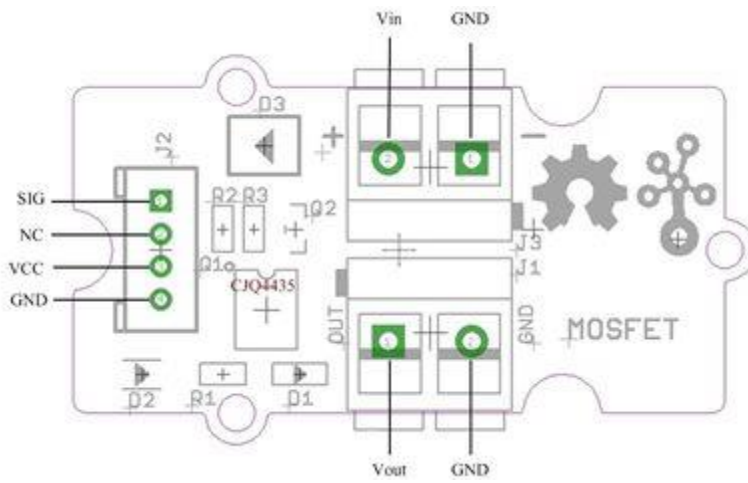
Grove - MOSFET enables you to control higher voltage project, say 15VDC, with low voltage, say 5V, on microcontroller. MOSFET is also a kind of switch, but its switching frequency can reach up to 5MHz, much faster than normal mechanical relay. There are two screw terminals on the board. One for outer power source and the other for device you want to control. Grove - MOSFET will pass the power from one end to another when closed. But if outer power source is absent, your device can still draw power from microcontroller via the Grove interface.



2. Specification

- Working voltage: 5V
- Vin: 5 ~ 15V
- MOSFET Model: CJQ4435

3. Interface

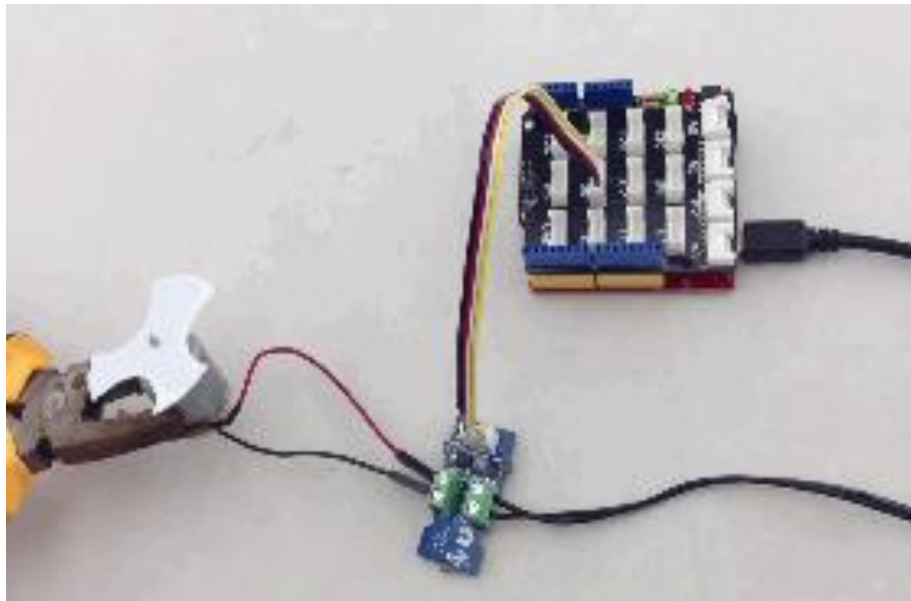


- Vin: accepts 5V ~ 15V power of which current is less than 2A.
- Vout: attach actuators here.

4. Demonstration

4.1 With Arduino

Here we demonstrates how to use Grove - MOSFET to control a motor. We provide power for it with external power source, but if your controlled device needs current smaller than 300mA, Seeeduino can totally support it and no extra power source needed.



```
// demo of Grove - MOSFET
// use pin 6 to control a motor

int motorPin = 6;

void setup()
{
  Serial.begin(38400);
  pinMode(motorPin, OUTPUT);
  Serial.println("Grove - MOSFET Test Demo!");
}

void loop()
{
  motorOnThenOffWithSpeed();
  motorAcceleration();
}

void motorOnThenOffWithSpeed()
{
```



```

int onSpeed = 200; // a number between 0 (stopped) and 255 (full speed)
int onTime = 2500;
int offSpeed = 50; // a number between 0 (stopped) and 255 (full speed)
int offTime = 1000;
analogWrite(motorPin, onSpeed);
delay(onTime);
analogWrite(motorPin, offSpeed);
delay(offTime);
}

void motorAcceleration()
{
  int delayTime = 50;
  for(int i=0; i<256; i++)
  {
    analogWrite(motorPin, i);
    delay(delayTime);
  }

  for(int i=255; i>=0; i--)
  {
    analogWrite(motorPin, i);
    delay(delayTime);
  }
}

```

4.2 With Raspberry Pi

1. You should have got a raspberry pi and a grovepi or grovepi+.
2. You should have completed configuring the development enviroment, otherwise follow [here](#).
3. Connection.
 - Plug the sensor to grovepi socket D6 by using a grove cable.
4. Navigate to the demos' directory:

```
cd yourpath/GrovePi/Software/Python/
```

- To see the code

```
nano grove_mosfet.py # "Ctrl+x" to exit #
import time
import grovepi
```

```
# Connect the Grove MOSFET to analog port D6
# SIG, NC, VCC, GND
mosfet = 6

grovepi.pinMode(mosfet, "OUTPUT")
time.sleep(1)

while True:
    try:
        # Full speed
        grovepi.analogWrite(mosfet, 255)
        print "full speed"
        time.sleep(2)

        # Half speed
        grovepi.analogWrite(mosfet, 128)
        print "half speed"
        time.sleep(2)

        # Off
        grovepi.analogWrite(mosfet, 0)
        print "off"
        time.sleep(2)

    except KeyboardInterrupt:
        grovepi.analogWrite(mosfet, 0)
        break
    except IOError:
        print "Error"
```

5. Run the demo.

```
sudo python grove_mosfet.py
```

5. Resource

- [Grove - MOSFET Eagle File](#)
- [CJQ4435 Datasheet](#)
- [MOSFET_WIKI](#)
- [Getting started with Arduino](#)