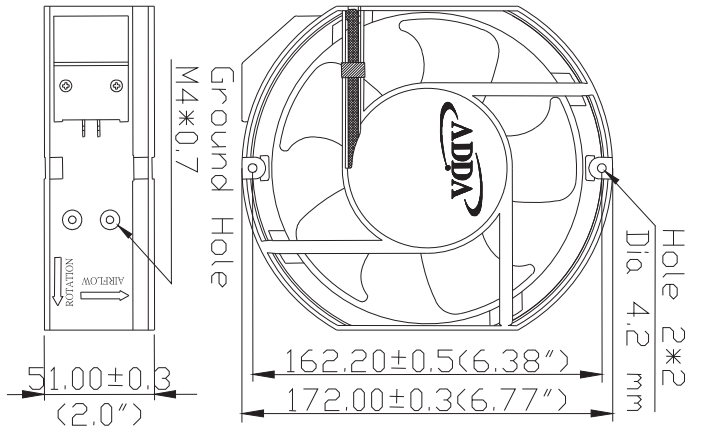




# AK17251(AK175) SERIES

## External Dimensions



Frame: Aluminum Alloy  
 Impeller: Plastic (UL:94V-0)  
 Motor Structure: Capacitor-Run Induction Motor.  
 Motor Protection: Thermal Protect.  
 Lead wire: UL 1015AWG20  
 OPERATING TEMP\*: -10°C~70°C  
 \*: -10°C~60°C for fans with sleeve/ball combination bearings.

## Specifications(Nominal)

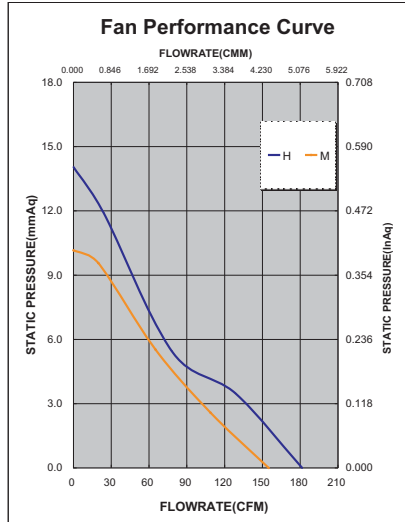
\*: Noise is measured at the distance of one (1) meter from the axis of intake.

Bearing type: ◎=Ball ※=Sleeve ●=Hypro bearing

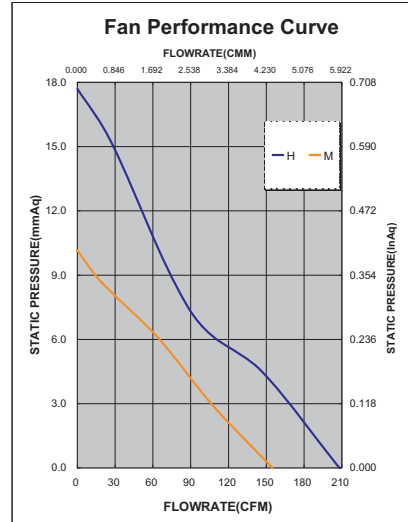
Frame size (mm)	Model No.	Bearing System Type	Volt. (VAC)	Freq. (Hz)	Current (A)	Power (W)	Rated Speed (rpm)	Maximum AirFlow (CMM)	Maximum AirFlow (CFM)	Maximum Pressure (InAq)	Maximum Pressure (mmAq)	*Noise Level (dB/A)	Weight (g)
172x150x51	AK1751MB	◎	115	50/60	0.15/0.19	16.10/20.70	2500/2500	4.245/4.245	150.0/150.0	0.411/0.362	10.439/9.194	56.0/56.0	1050
	AK1752MB		230		0.08/0.10	16.10/20.70							
	AK1751HB	◎	115	50/60	0.25/0.24	27.60/26.50	2700/3100	5.094/5.943	180.0/210.0	0.533/0.700	13.538/17.780	63.0/65.0	
	AK1752HB		230		0.11/0.13	23.00/27.60							

Specifications subject to change without notice.

50Hz



60Hz



\*Safety approvals

✓	✓		✓	✓