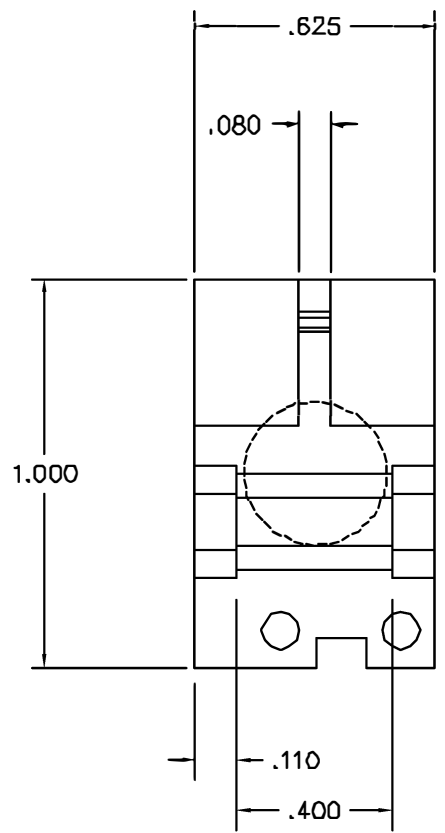
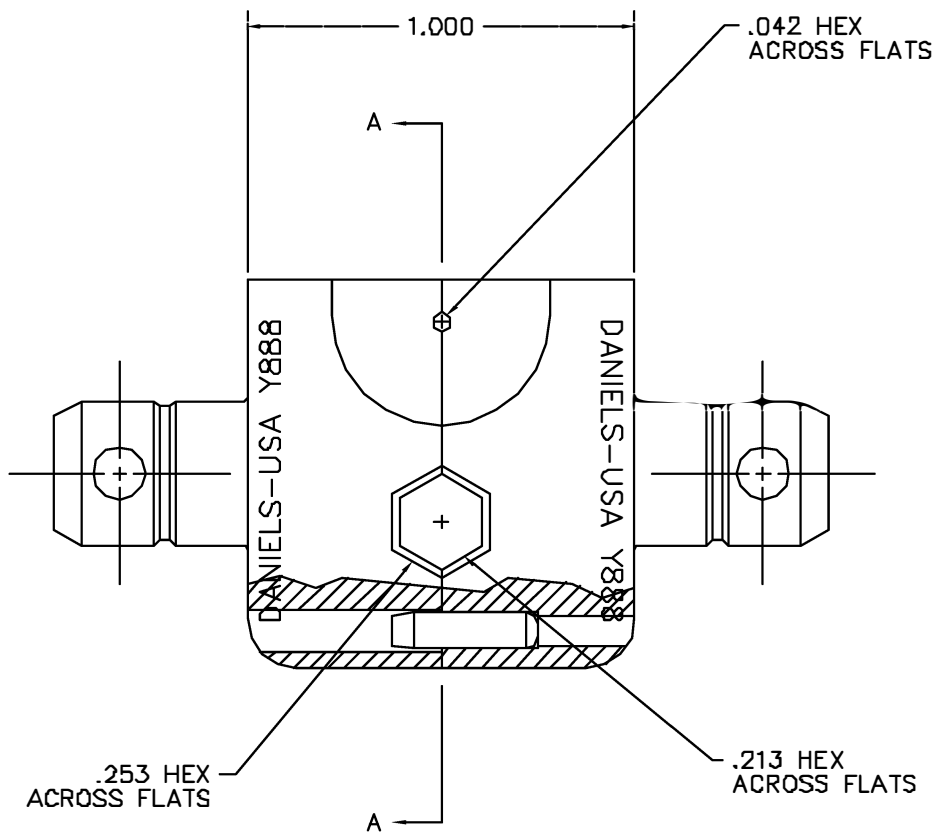


REVISIONS				
REV. SYM.	E.C.D. NUMBER	DESCRIPTION	BY DATE	APP'D DATE
1		ORIGINAL RELEASE	D.A.D. 6-14-87	DE 8-87



VIEW A-A  
TYPICAL



.253 HEX  
ACROSS FLATS


.042 HEX  
ACROSS FLATS

.213 HEX  
ACROSS FLATS

**UNCONTROLLED DOCUMENT  
WILL NOT BE UPDATED**

1. KTH-2207 FUNCTIONAL EQUIV.

NOTES:

RESTRICTED & CONFIDENTIAL		MATERIAL		ITEM	PART NO.	QTY.	DESCRIPTION/REMARKS			
CONFIDENTIAL PROPERTY OF DANIELS MANUFACTURING CORP. NOT TO BE DISCLOSED TO OTHERS, REPRODUCED OR USED FOR ANY OTHER PURPOSE, EXCEPT AS AUTHORIZED IN WRITING BY DANIELS MANUFACTURING. MUST BE RETURNED TO DANIELS MANUFACTURING CORP. ON COMPLETION OF ORDER OR OTHER PURPOSE FOR WHICH LENT.		HEAT TREAT		DRN.	D. DEPAIVA	DATE	 DANIELS MANUFACTURING CORP. ORLANDO, FLORIDA GAGE 11851			
		FINISH		CHK'D.	DE	DATE				
		DO NOT SCALE DRAWING				APP'D.		DATE	TITLE	
				APP'D.		DATE	DIE SET ENVELOPE DRAWING			
				WHERE USED		SIZE	SCALE	DWG P/N	SHEET	OF
						B	3X	Y888-ENV	1	1
						POSTING		P/N	Y888-ENV	REV.
										1