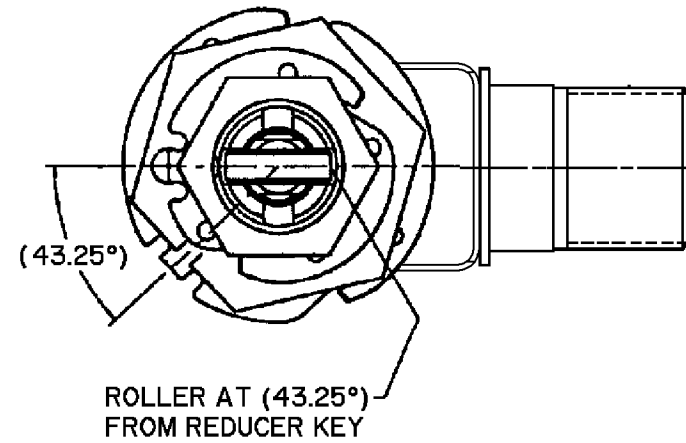
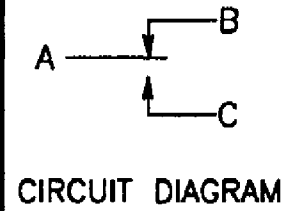


MICRO SWITCH
a Honeywell Division
FED. MFG. CODE 91929

SWITCH - ENCLOSED

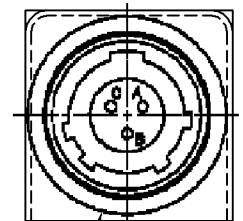
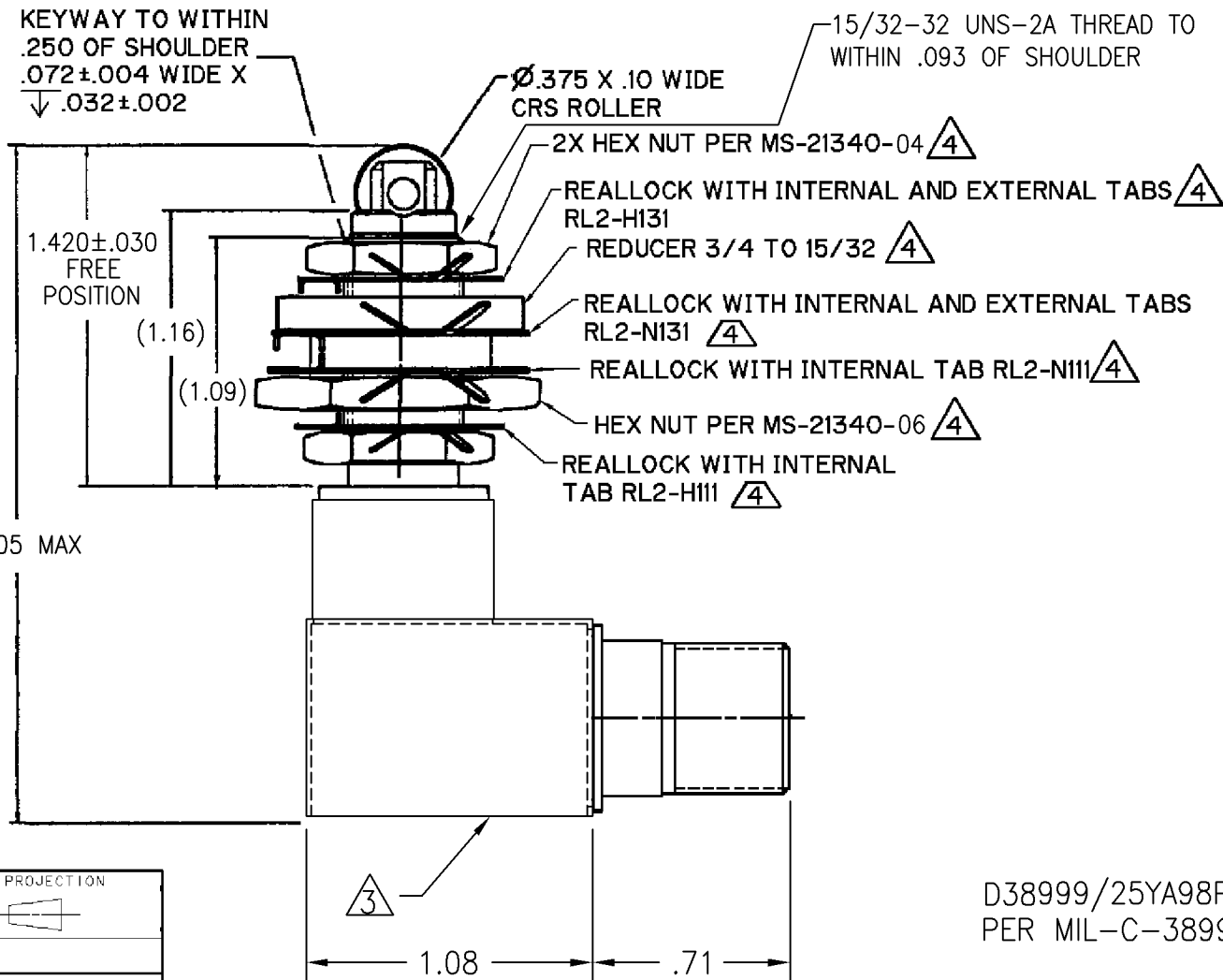
CATALOG LISTING
622EN236-R



WARNING- THIS PRODUCT IS SUBJECT TO THE U.S. INTERNATIONAL TRAFFIC IN ARMS REGULATIONS (ITAR), AND THE EXPORT CONTROL LAWS OF THE UNITED STATES. TRANSFER OF TECHNICAL DATA PERTAINING TO THIS PRODUCT BY ANY MEANS TO A FOREIGN PERSON PER ITAR DEFINITIONS. WHETHER IN THE UNITED STATES OR ABROAD, WITHOUT A PRIOR EXPORT LICENSE OR OTHER APPROVAL FROM THE U.S. DEPARTMENT OF STATE, IS PROHIBITED.

NOTES

- 1 - CORROSION RESISTANT STEEL ENCLOSURE
- 2 - SWITCH SEALED PER MIL-PRF-8805, SYMBOL 4
- 3 CIRCUIT DIAGRAM, CATALOG LISTING, AND DATE CODE ARE SHOWN ON NAMPLATE
- 4 HARDWARE MAY BE FURNISHED UNASSEMBLED PER MIL-PRF-8805
- 5 - TEMPERATURE: -67°F TO 260°F



D38999/25YA98PN
PER MIL-C-38999

622EN236-R

CATALOG LISTING
PAGE 1 OF 1
RELEASE NO.

ISSUE
M
C

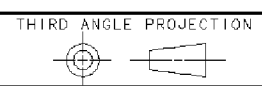
REVISIONS

A	0006376	11 JUL 04
B	0007199	12 AUG 04
C	0012481	KSR 21 APR 05

CHECK
21 APR 05
AK

TCC/AP
17 MAY 04
DRAWN

THIS DRAWING COVERS A PROPRIETARY ITEM AND IS THE PROPERTY OF MICRO SWITCH, A DIVISION OF HONEYWELL. THIS DRAWING IS NOT TO BE COPIED OR USED WITHOUT THE APPROVAL OF MICRO SWITCH



CHARACTERISTICS		ELECTRICAL DATA		SCALE NONE
OPERATING FORCE ----- 6 - 12 LBS		CONTACT ARRANGEMENT		DO NOT SCALE PRINT
FULL OVERTRAVEL FORCE -- 30 LBS MAX		1 X S P D T		UNLESS OTHERWISE SPECIFIED TOLERANCES ARE ONE PLACE (.0) ±.030 TWO PLACE (.00) ±.015 THREE PLACE (.000) ±.005 ANGLES ± WEIGHT 4.5 OZ MAX
RELEASE FORCE ----- 4 LBS MIN		LOAD		
PRETRAVEL ----- .040 MAX		28 VDC		
DIFFERENTIAL TRAVEL -- .020 MAX		SEA LEVEL	50,000 FT	
OVERTRAVEL ----- .125 MIN		CONTACT	GOLD GOLD	
		RESISTIVE	1 1	
		INDUCTIVE	.5 .5	
		MOTOR		

ANSI Y14.5M-1982 APPLIES