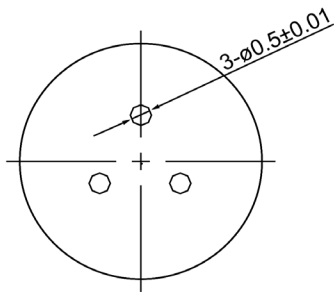
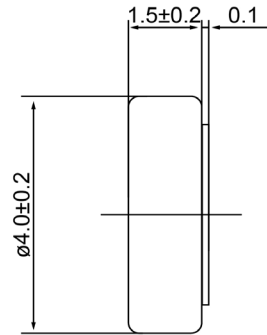


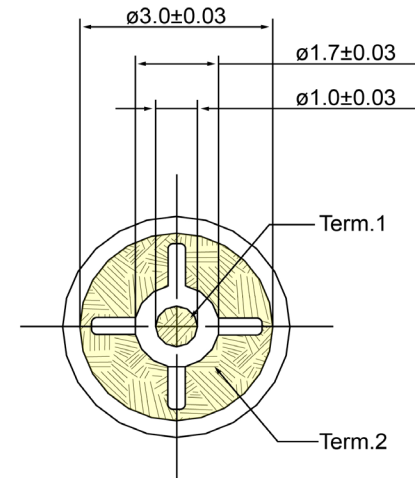
TOP VIEW




SIDE VIEW



BOTTOM VIEW



Specifications			Notes	Revision History					
Description	Value	Unit		Version	Description	Date	Approved		
Directivity	Omnidirectional		1) All dimensions are in mm unless otherwise noted 2) All parts meet RoHS  DB UNLIMITED	1	Released from Engineering	10/21/2013	J.S		
Technology	Electret Condenser								
Sensitivity	-40	(dB)							
Frequency Range	100 ~ 16,000	(Hz)							
Rated Voltage	2	(V)							
Output Impedance	2,200	(Ohm)							
Connection Method	Solderless								
Voltage Range	2 ~ 10	(V)							
Max Rated Current	0.5	(mA)							
Minimum Signal to Noise Ratio	>60	(dB)							
Operating Temperature	-20 ~ +70	°C							
Storage Temperature	-40 ~ +85	°C							
				<b>Electret Condenser Microphone</b>		<b>MO044002-1</b>			
				<b>Drawn by</b> A.B.	<b>Date</b> 10/21/2013	<b>Checked by</b> C.E.	<b>Date</b> 10/21/2013	<b>Approved by</b> J.S	<b>Date</b> 10/21/2013