

PART NO. : HFJ12-1G11ER-L12RL



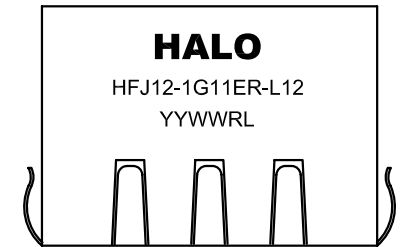
1X2 FASTJACK™ WITH 1000BASE-T MAGNETICS
 COMPLIANT TO IEEE802.3ab STANDARDS

RoHS COMPLIANT

COMPATIBLE TO LEAD-FREE WAVE SOLDERING
 PROCESS FOR THROUGH HOLE COMPONENTS

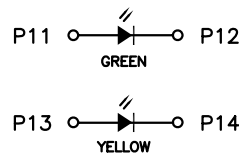
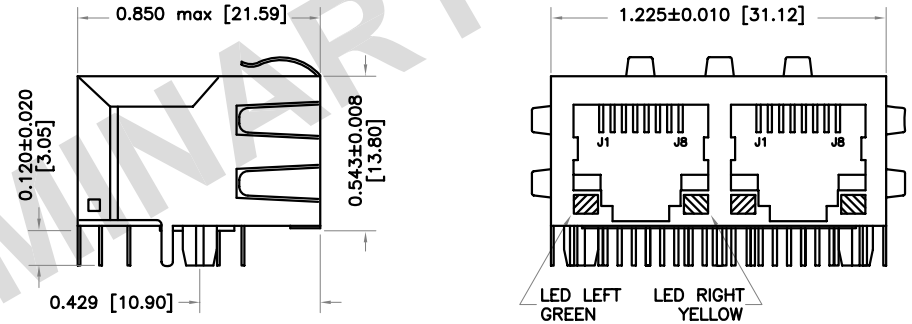
OPERATING TEMPERATURE 0/70°C

Housing Material: Polyester, Black UL94V-0
 Contacts: Phosphor Bronze 30µin Au plating over Ni
 Leads: Matte Sn over Ni
 Shield: Cu Alloy with Ni plating 40µin min
 Durability: 1000 mating cycles
 Dimensions: Inch [mm]
 Tolerances: ±0.008 inch if not specified

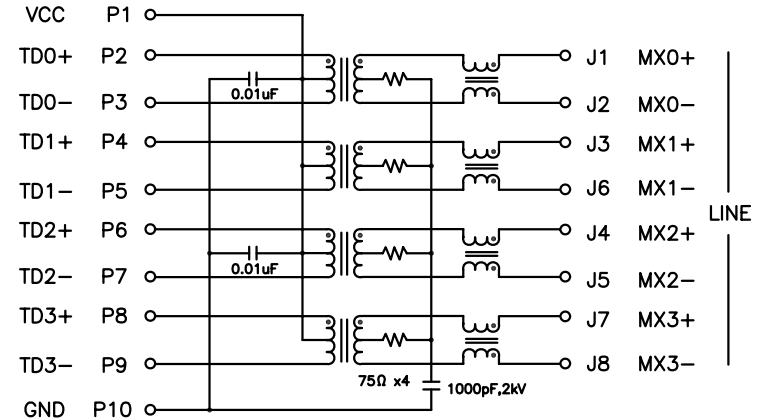


ELECTRICAL SPECIFICATIONS @25° C

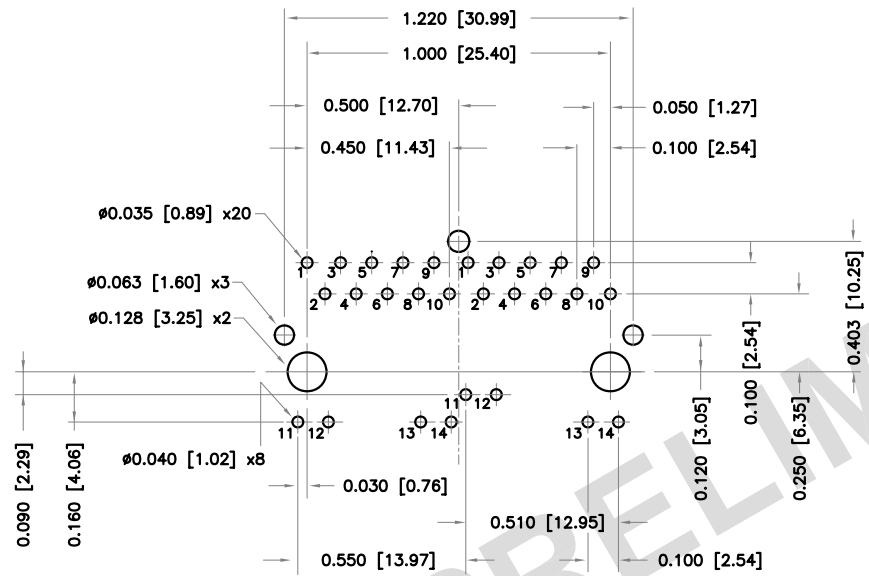
| | |
|----------------------------|------------|
| URNS RATIO | 1:1±3% |
| OCL (100KHz,0.1V,8mA) | 350µH min |
| INSERTION LOSS 1-100MHz | -1.1dB max |
| RETURN LOSS 1-40MHz | -18dB min |
| 60MHz | -14dB min |
| 80MHz | -12dB min |
| 100MHz | -10dB min |
| CROSSTALK 1-100MHz | -35dB typ |
| CMR 0.1-30MHz | -50dB typ |
| 30-60MHz | -40dB typ |
| 60-100MHz | -35dB typ |
| ISOLATION | 1,500Vrms |



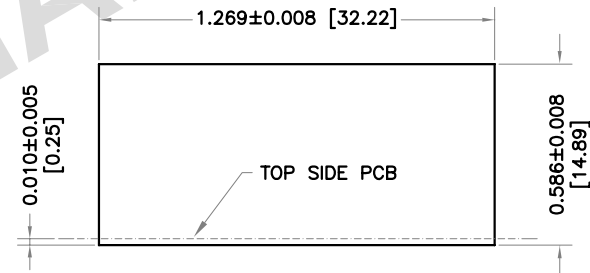
LED FORWARD VOLTAGE/
 CURRENT: 2.1V/10mA typ



| | | | | | | | | |
|--|----------|--------------------|------------|-----------------------|---------|-------|-------------|---------|
| HALO/PBL | TITLE | FastJack™ 1x2 | SIGNATURES | DATE | REV. | DESC. | DATE | |
| | FOR | GIGABIT ETHERNET | DRAWN | LI ZHI ZHONG | 4/13/11 | A | FIRST ISSUE | 4/13/11 |
| CALIFORNIA, USA KOWLOON, HONG KONG SINGAPORE | PART NO. | HFJ12-1G11ER-L12RL | CHECKED | LEI KEONG | 4/13/11 | | | |
| | SCALE | NONE | APPROVED | PETER LU | 4/13/11 | | | |
| | PAGE | 1 OF 2 | FILE | HFJ121G11ER-L12RL.DWG | | | | |



RECOMMENDED P.C. BOARD PATTERN (COMP. SIDE)
TOLERANCES ± 0.002 [0.05] UNLESS SPECIFIED



RECOMMENDED PANEL CUTOUT

HALO/PBL

CALIFORNIA, USA
KOWLOON, HONG KONG
SINGAPORE

| TITLE | FastJack™ 1x2 | SIGNATURES | | DATE | | REV. | | DESC. | | DATE | |
|----------|--------------------|------------|-----------------------|---------|--|------|-------------|-------|--|---------|--|
| FOR | GIGABIT ETHERNET | DRAWN | LI ZHI ZHONG | 4/13/11 | | A | FIRST ISSUE | | | 4/13/11 | |
| PART NO. | HFJ12-1G11ER-L12RL | CHECKED | LEI KEONG | 4/13/11 | | | | | | | |
| SCALE | NONE | APPROVED | PETER LU | 4/13/11 | | | | | | | |
| | PAGE 2 OF 2 | FILE | HFJ121G11ER-L12RL.DWG | | | | | | | | |