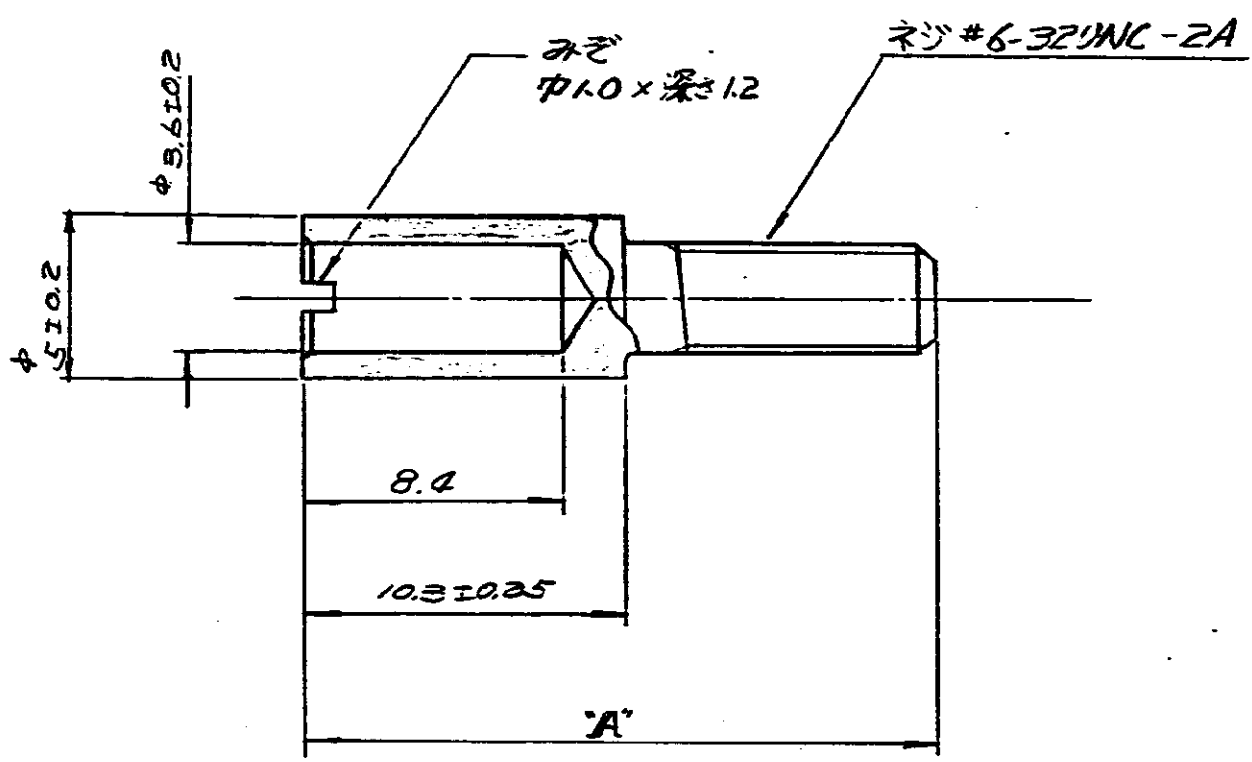


C-170971

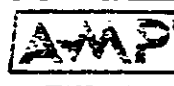


注記:

△ 類似品型番. 201043-4

23.3	↑ -4
20.3	170971-2 △
Ⅷ	番号 (NUMBER)

単位: 概 DIMENSIONS IN MM. DO NOT SCALE PRINT

DRAWN BY: [Blank]		CHECKED BY: [Blank]		DATE: [Blank]		© 1982 BY AMP Japan, Ltd. ALL RIGHTS RESERVED AMP PRODUCTS COVERED BY PATENTS AND/OR PATENTS PENDING.		参考図面 (CUSTOMER COPY REFERENCE ONLY)				
MATERIAL: 真銅		FINISH: 錫めっき				日本ニールーム・ビー株式会社 TOKYO, JAPAN						
WIRE RANGE: [Blank]		INSULATION DIA: [Blank]		CLASS: [Blank]		TYPE: [Blank]						
A J80-5501 (P-DWG) REDRAWN WITH CHANGE (REV C) 6-2 7/11-80		D RELEASED (REV B) 6-2 7/11-80		LTR. 変更 REVISION RECORD: DR. CHK. DATE		TOLERANCE: ±0.4 EXCEPT AS NOTED		RATIO SCALE: 4-1		LOC. SIZE 番号 NO. J A C-170971		REV. A
DR. [Signature] 5/30/80		DE. [Signature] 5/30/80		APP. [Signature] 6-2-80		NAME: コーナガイドツケット						