

CATALOG LISTING
104TP82 SERIES CHART 1

ISSUE
4

REVISIONS
A CO-94411
LJK
24 NOV 99
B 200383
TSM
9 MAY 00

CHECK

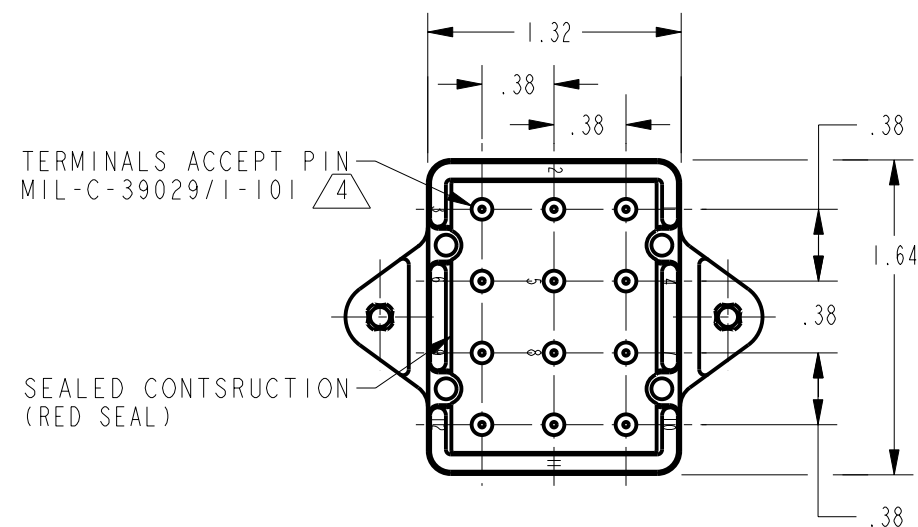
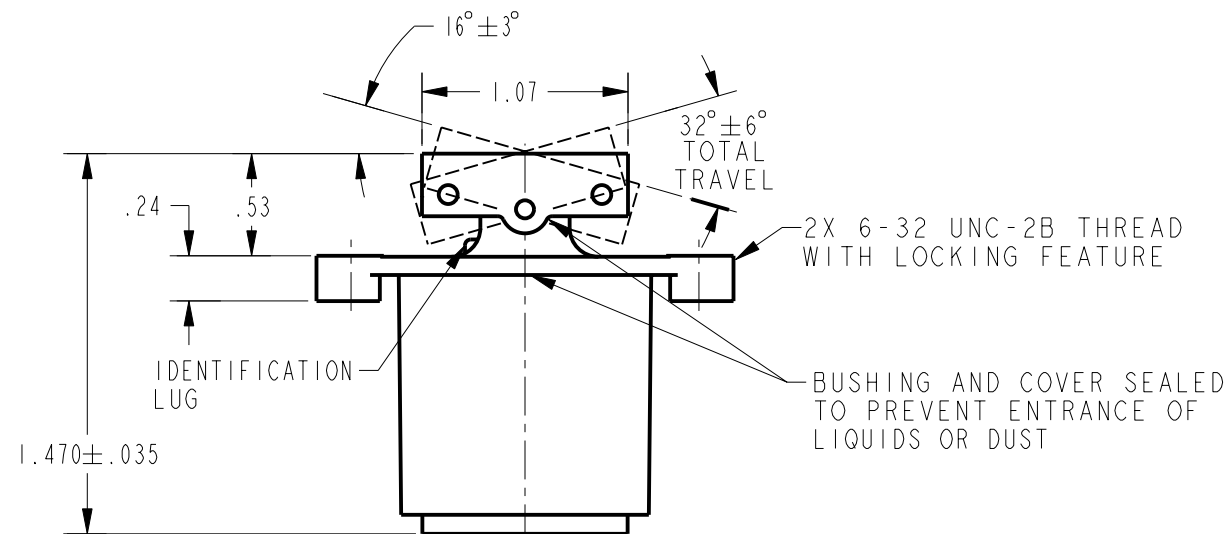
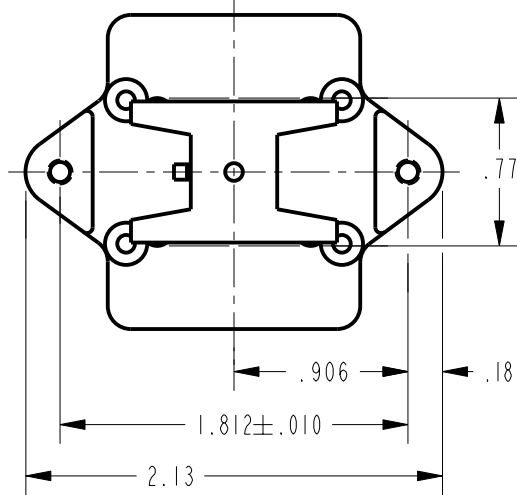
CHECK
24 NOV 99

CHECK
JAF

CHECK
24 NOV 99

PTC/CAD 2D
DRAWN
LJK

PAGE 1 OF 1
RELEASE NO. PR-20331
REPLACES



3 CIRCUIIT MADE WITH
BUTTON DEPRESSED ON

CATALOG LISTING	LUG SIDE (1-2, 4-5 7-8, 10-11)	CENTER (1-2, 4-5 7-8, 10-11)	OPPOSITE LUG (2-3, 5-6 8-9, 11-12)
104TP82-1	ON	OFF	ON
104TP82-2	OFF	NONE	ON
104TP82-3	ON	NONE	ON
104TP82-21	NONE	OFF	ON
104TP82-31	NONE	ON	ON
104TP82-4	MOM OFF	NONE	ON
104TP82-5	MOM ON	OFF	ON
104TP82-6	MOM ON	NONE	OFF
104TP82-7	MOM ON	OFF	MOM ON
104TP82-8	MOM ON	NONE	ON
104TP82-51	NONE	ON	MOM ON
104TP82-61	MOM ON	OFF	NONE

ELECTRICAL DATA

L191 15A 125, 250, 277 VAC
1/2HP 125 VAC
1HP 250, 277 VAC
5A 125 VAC "L"



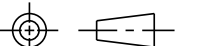
L192 10A 125, 250, 277 VAC
1/4HP 125 VAC,
1/2HP 250, 277 VAC
3A 125 VAC "L"



NOTES

- 1 - CIRCUIT DESIGNATION AND MICRO SWITCH CATALOG LISTING MARKED ON SIDE OF SWITCH
- 2 - THESE SWITCHES WILL WITHSTAND TEMPERATURE OF 160° F
- 3 - APPLIES ONLY TO "ON" AND "MOMENTARY ON" POSITIONS
- 4 - THE SEALING GROMMET SHALL SEAL ON A SMOOTH WIRE INSULATION OF .040 TO .083 DIAMETERS (16-20 GAGE)
- 5 - UNUSED TERMINAL HOLES MAY BE SEALED WITH PLUGS M83723/28-20

THIRD ANGLE PROJECTION



SCALE FULL

DO NOT SCALE PRINT

UNLESS OTHERWISE SPECIFIED TOLERANCES ARE

ONE PLACE	(.0)	±.030
TWO PLACE	(.00)	±.015
THREE PLACE	(.000)	±.005
ANGLES		±

WEIGHT .22 LB EST.