

EmCORE-i2709

Intel® Atom™ N270 3.5" Compact Board



Features

- **Fanless Design**
- Soldered Onboard Intel® Atom™ N270 Processor
- Dual Gigabit Ethernet Ports
- Dual Channels 24-bit LVDS, TV-out, and Analog RGB
- Dual Independent Displays
- **Extended Operating Temp.: -20 ~ 70°C**

System

CPU	Intel® Atom™ N270 1.6GHz processor with 533MHz FSB
Memory	1 x 200-pin DDR2 SO-DIMM socket, supporting 400/533MHz SDRAM up to 2GB
Chipset	Intel® 945GSE + ICH7M
BIOS	AMI PnP Flash BIOS
Watchdog Timer	1~255 levels reset

I/O

I/O Chip	Winbond W83627HG
Serial Port	2 x COM ports (1 x RS-232, 1 x RS-232/422/485 selectable)
Parallel Port	SPP/EPP/ECP mode selectable
USB Port	6 x USB 2.0 ports
KB/MS	6-pin wafer connector for keyboard and mouse (PS/2 standard via Y-cable)
Digital I/O	8-bit programmable Digital Input/Output

Expansion Bus	1 x Mini PCI socket 1 x Mini-card socket 1 x LPC (Low Pin Count) connector
----------------------	--

Storage	1 x Ultra ATA, supporting 2 IDE devices 2 x Serial ATA ports with 150MB/s HDD transfer rate
----------------	--

Ethernet Chipset	2 x Realtek RTL8111 PCIe GbE controllers
-------------------------	--

Audio Interface	Realtek ALC655 6 Channel AC97 Audio Codec, Mic-in/Line-in/Line-out
------------------------	--

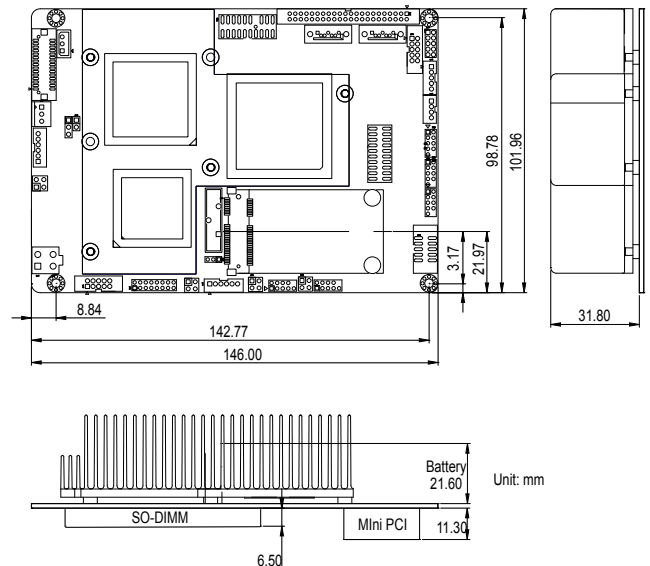
Display

Graphics Chipset	Integrated Intel® Graphics Media Accelerator 950
Graphics Interface	Analog RGB: support resolution up to 2048 x 1536 @60Hz LCD: Dual Channels 24-bit LVDS, resolution up to 1600 x 1200 TV-out: NTSC/PAL, resolution up to 1024 x 768 Support Dual Independent Displays

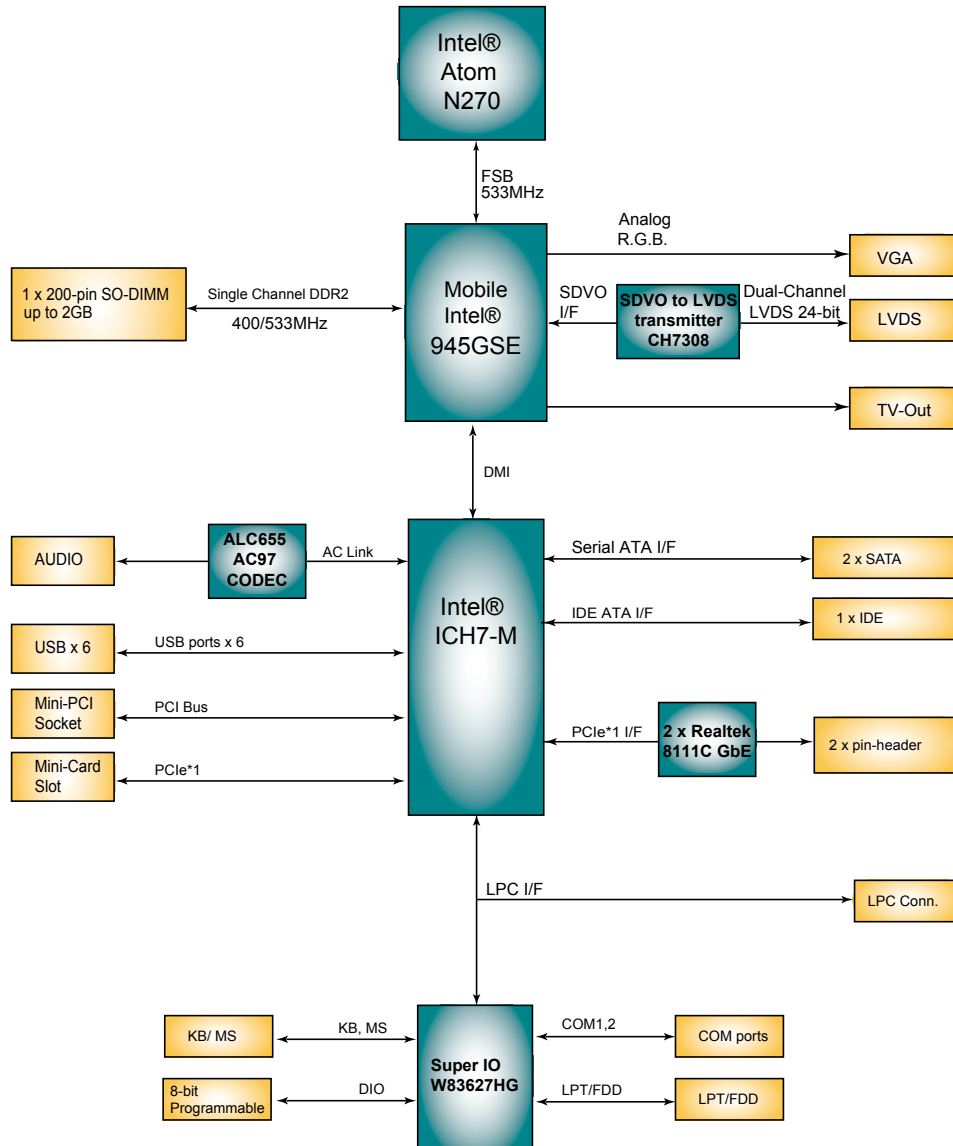
Mechanical & Environmental

Power Requirement	+12V input
Power Consumption	1.12A@+12V (Typical)
Operating Temp.	-20 ~ 70°C (4 ~ 158°F)
Operating Humidity	10 ~ 95% @ 70°C (non-condensing)
Dimension (L x W)	146 x 102 mm (5.7" x 4")

Dimensions



Block Diagram



Ordering Information

EmCORE-i2709 Intel® Atom™ N270 1.6GHz 3.5" Compact Board

Optional Accessories

FCDB-1293 4 x COM ports, 8-bit digital I/O daughterboard

Page 130

CBK-11-2709-00

- Cable kit
- 1 x audio cable
 - 2 x COM port cables
 - 1 x IDE cable
 - 1 x KB & MS cable
 - 2 x LAN cables
 - 1 x LPT to FDD cable
 - 1 x Parallel Port cable
 - 2 x SATA cables
 - 1 x TV-out cable
 - 3 x USB cables
 - 1 x VGA cable