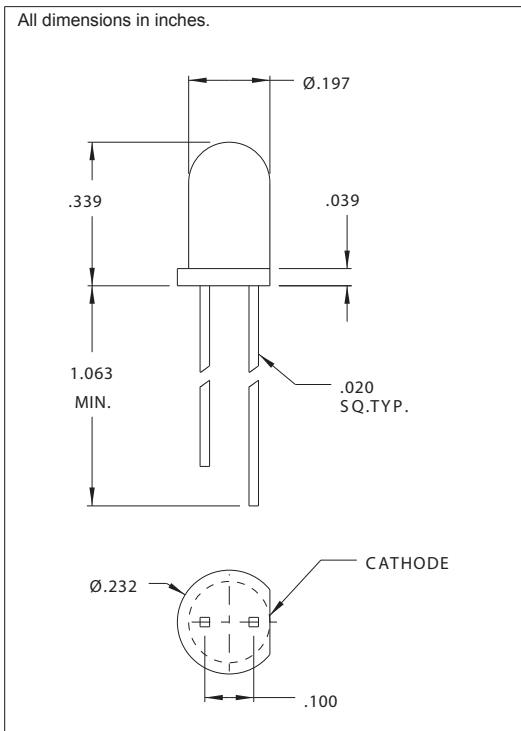


4301H1/1, H5/5, H7/7 Series Solid State LED Lamp-Bi-Polar-AC/DC Operation T-1 3/4

Description and Features



T-1 3/4 Super Brite (Green)

Bi-Polar LEDs

- Ideal for use on AC or DC where polarity cannot be determined.

Electro-Optical Characteristics and Ratings

PART NUMBER	4301H1/1	4301H5/5	4301H7/7
Output Color	Red	Green	Yellow
Diffusion	Diffused	Diffused	Diffused
Package Color	Red	Green	Yellow
Test Current (mA)	20	20	20
Forward Voltage Typ. (V)	2.0	2.2	2.1
Forward Voltage Max. (V)	2.5	2.5	2.5
Luminous Intensity Min. (mcd)	8.0	5.0	5.0
Luminous Intensity Typ. (mcd)	20	20	20
Continuous Forward Current Max. (mA)	30	25	30
Peak Wavelength (nm)	625	565	590
Viewing Angle 2θ 1/2 (degrees)	60	60	60
Power Dissipation (mW)	105	105	105
Capacitance @ V=0 (mW/IC)	12	45	10