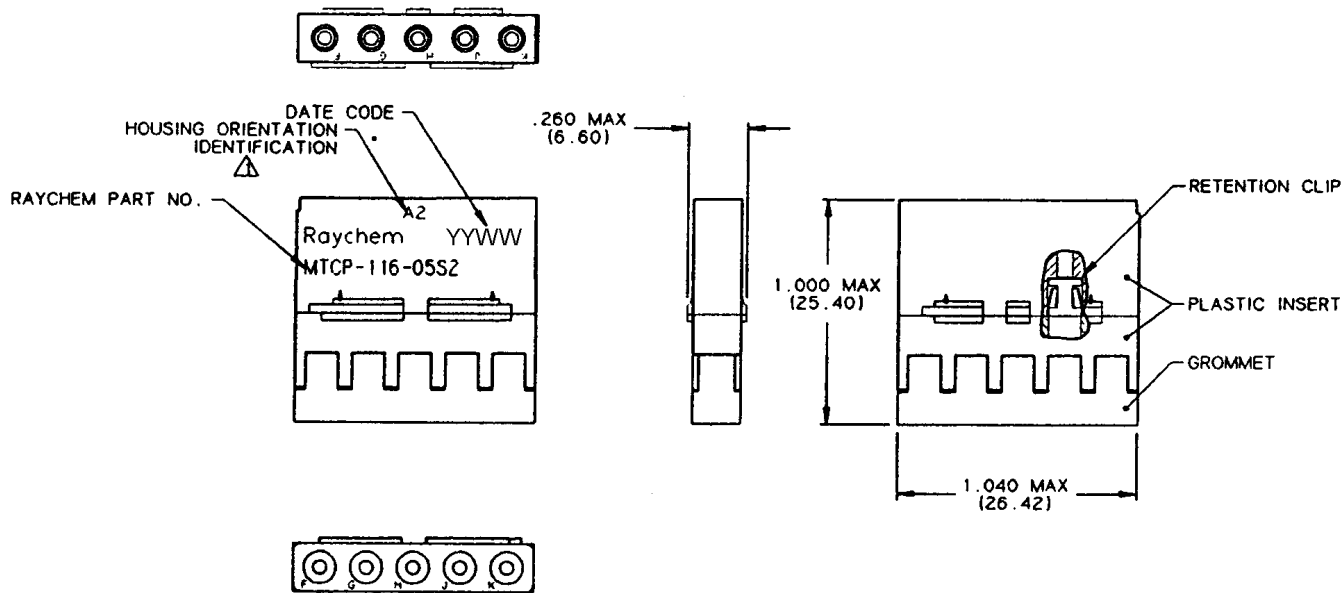


REVISIONS			
LTR	DESCRIPTION	DATE	APPROVED
B	REVISED AND REDRAWN PER ECN T-17630	92 Aug 12	93
C	REVISE PER DCR# T-22769	4/16/99	M.HIGGY



NOTES:

△ MTC100-JH1-XXX OR MTC100-JH2-XXX (SEE RAYCHEM INFORMATION DRAWING D-659-0097 AND HOUSING SCD's FOR FURTHER DETAILS).

2. USE MIL-C-38999 SERIES 2 SIZE 16 CONTACTS OR EQUIVALENT. REFERENCE D-659-0097 FOR INSERTION/REMOVAL TOOLS, SEALING PLUGS AND CRIMP TOOLS WHEN APPLICABLE. THESE COMPONENTS ARE TO BE ORDERED SEPARATELY.

3. GROMMET DESIGNED TO SEAL ON WIRES HAVING AN INSULATION DIAMETER OF .065 IN. (1.65mm) TO .109 IN. (2.77mm).

4. PERFORMANCE:  
THIS PRODUCT MEETS THE REQUIREMENTS OF RAYCHEM SPECIFICATION C-6115.

5. MATERIALS:  
A) PLASTIC INSERT HIGH GRADE POLYARYLENE THERMOPLASTIC  
B) GROMMET FLUOROSILICONE PER MIL-R-25988  
C) INTERFACIAL SEAL FLUOROSILICONE PER MIL-R-25988  
D) RETENTION CLIP BERYLLIUM COPPER 172 PER QQ-C-533

△ WEIGHT: 0.0095 lbs [ 4.300 Grams ] MAXIMUM.

If this document is printed it becomes uncontrolled.  
Check with the web for latest revision.

SPECIFICATION CONTROL DRAWING

UNLESS OTHERWISE SPECIFIED DIMENSIONS ARE IN INCHES. METRIC DIMENSIONS ARE IN BRACKETS.	REDRAWN	PIQUE	92AUG10	Raychem		RAYCHEM CORPORATION 300 CONSTITUTION DRIVE MENLO PARK, CALIFORNIA 94025
	ORG. DRW	ALEXANDER	84OCT24	TITLE		INSERT, SOCKET SECONDARY 5 NUMBER 16 CAVITIES POWER BLOCK CONNECTOR TEMPERATURE RATING 125°C MTC SERIES
	CHECKED	J. BLAIR	84OCT24			
	APPROVED	J. CAMERON	84OCT24			
CAD NAME: T22769.TIF			SIZE	CODE IDENT. NO.	DWG. NO.	REV
THIRD ANGLE PROJECTION			B	06090	MTCP-116-0552	C
WEIGHT: △			DO NOT SCALE THIS DRAWING		SHEET 1 OF 1	