

THIS DRAWING IS UNPUBLISHED. RELEASED FOR PUBLICATION SEP ,2005.

© COPYRIGHT 2005 By - ALL RIGHTS RESERVED.

LOC	DIST	REVISIONS					
		P	LTR	DESCRIPTION	DATE	DWN	APVD
			R	REVISED PER ECR-11-006365	28MAR2011	A.L	S.Y


1 CONTACT COPLANALITY IS 0.1 MAX.  
 △ THIS DIMENSION MEANS CENTER OF THE POCKET.  
 △ M3 TAPPING + BVTP RECOMMENDED TORQUE: 68.6N (7Kgf) MAX.  
 △ FINISH  
 CONTACT: V μm MIN. Au PL. ON CONTACT AREA (V: SEE TABLE)  
 0.03~0.1 μm Au PL. ON TERMINAL AREA  
 Ni UNDER PL. ALL OVER  
 SHELL: Sn PL. (MATTE) ALL OVER  
 Ni UNDER PL. ALL OVER  
 △ SCREW SIZE  
 △ QTY PRINT ON THE LABEL. (EMBOSS PACKING)

1 コンタクトコプラナリティーは 0.1 以下。  
 △ 本寸法はポケットの中心を表す。  
 △ M3 TAPPING + BVTP 推奨トルク: 68.6N (7Kgf) 以下。  
 △ 仕上  
 コンタクト: コンタクトエリアに V μm 以上の 金めっき (V: 表参照)  
 ターミナルエリアに 0.03~0.1 μm の金めっき  
 ニッケル下地めっきを施す  
 シェル: すずめっき (つや消し)  
 ニッケル下地めっきを施す  
 △ スクリューサイズ  
 △ 数量はラベルに印字される (EMBOSS 梱包)

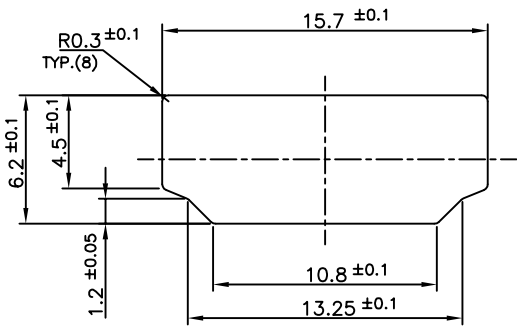
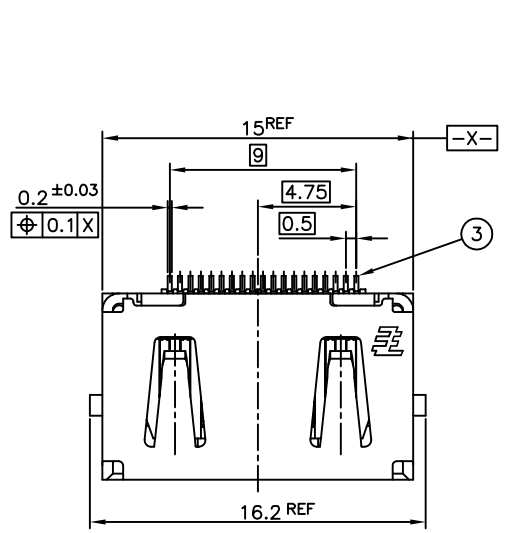
0.3	-	△ 70	1.9	-	-	-	-	33.5	37.5	9.32	0.4	32	28.4	14.2	16	WITHOUT TAPE	WITHOUT FLANGE	THROUGH HOLE	(SEE SHEET 2)	SOFT TRAY (SEE SHEET 11)	6-1903015-3
0.76	M3 x 0.5	70	1.9	46	138	6-23	46	-	-	-	-	-	-	-	-	WITH TAPE	WITH FLANGE	THROUGH HOLE	(SEE SHEET 3)	SOFT TRAY (SEE SHEET 7)	9-1903015-4
0.3	M3 x 0.5	△ 200	1.9	-	-	-	-	45.5	49.5	18.3	0.5	44	40.4	20.2	20	WITH TAPE	WITH FLANGE	THROUGH HOLE	(SEE SHEET 3)	EMBOSS (SEE SHEET 6)	9-1903015-3
0.3	M3 x 0.5	70	1.9	-	-	-	-	-	-	-	-	-	-	-	-	WITHOUT TAPE	WITH FLANGE	THROUGH HOLE	(SEE SHEET 3)	SOFT TRAY (SEE SHEET 10)	8-1903015-4
0.1	-	△ 550	1.9	-	-	-	-	33.5	37.5	9.32	0.4	32	28.4	14.2	16	WITHOUT TAPE	WITHOUT FLANGE	THROUGH HOLE	(SEE SHEET 2)	EMBOSS (SEE SHEET 6)	7-1903015-1
0.3	M3 x 0.5	△ 200	1.9	-	-	-	-	45.5	49.5	18.3	0.5	44	40.4	20.2	20	WITHOUT TAPE	WITH FLANGE	FULL SMT	(SEE SHEET 5)	EMBOSS (SEE SHEET 6)	5-1903015-9
0.3	-	△ 550	0.8	-	-	-	-	33.5	37.5	9.32	0.4	32	28.4	14.2	16	WITHOUT TAPE	WITHOUT FLANGE	THROUGH HOLE	(SEE SHEET 2)	EMBOSS (SEE SHEET 6)	5-1903015-5
0.3	M3 x 0.5	70	1.9	46	138	6-23	46	-	-	-	-	-	-	-	-	WITHOUT TAPE	WITH FLANGE	THROUGH HOLE	(SEE SHEET 3)	SOFT TRAY (SEE SHEET 7)	5-1903015-4
0.3	M3 x 0.5	△ 200	1.9	-	-	-	-	45.5	49.5	18.3	0.5	44	40.4	20.2	20	WITHOUT TAPE	WITH FLANGE	THROUGH HOLE	(SEE SHEET 3)	EMBOSS (SEE SHEET 6)	5-1903015-3
0.3	△ φ2.65±0.3	70	1.9	46	138	6-23	46	-	-	-	-	-	-	-	-	WITHOUT TAPE	WITH FLANGE	THROUGH HOLE	(SEE SHEET 3)	SOFT TRAY (SEE SHEET 7)	5-1903015-2
0.3	-	△ 400	1.9	-	-	-	-	33.5	37.5	9.32	0.4	32	28.4	14.2	16	WITHOUT TAPE	WITHOUT FLANGE	THROUGH HOLE	(SEE SHEET 2)	EMBOSS (SEE SHEET 6)	5-1903015-1
0.3	M3 x 0.5	70	1.0	46	138	6-23	46	-	-	-	-	-	-	-	-	WITHOUT TAPE	WITH FLANGE	THROUGH HOLE	(SEE SHEET 3)	SOFT TRAY (SEE SHEET 7)	4-1903015-1
0.76	-	△ 400	1.2	-	-	-	-	33.5	37.5	9.32	0.4	32	28.4	14.2	16	WITHOUT TAPE	WITHOUT FLANGE	THROUGH HOLE	(SEE SHEET 2)	EMBOSS (SEE SHEET 6)	2-1903015-2
0.76	M3 x 0.5	70	1.9	-	-	-	-	-	-	-	-	-	-	-	-	WITHOUT TAPE	WITH FLANGE	THROUGH HOLE	(SEE SHEET 3)	SOFT TRAY (SEE SHEET 9)	1903015-8
0.76	△ φ2.65±0.3	70	1.9	-	-	-	-	-	-	-	-	-	-	-	-	WITHOUT TAPE	WITH FLANGE	THROUGH HOLE	(SEE SHEET 3)	SOFT TRAY (SEE SHEET 9)	1903015-7
0.76	M3 x 0.5	50	1.9	54.4	120	4-30	54.4	-	-	-	-	-	-	-	-	WITHOUT TAPE	WITH FLANGE	THROUGH HOLE	(SEE SHEET 3)	SOFT TRAY (SEE SHEET 9)	1903015-5
0.76	M3 x 0.5	70	1.9	46	138	6-23	46	-	-	-	-	-	-	-	-	WITHOUT TAPE	WITH FLANGE	THROUGH HOLE	(SEE SHEET 4)	SOFT TRAY (SEE SHEET 8)	1903015-4
0.76	M3 x 0.5	△ 200	1.9	-	-	-	-	45.5	49.5	18.3	0.5	44	40.4	20.2	20	WITHOUT TAPE	WITH FLANGE	THROUGH HOLE	(SEE SHEET 4)	EMBOSS (SEE SHEET 6)	1903015-3
0.76	△ φ2.65±0.3	70	1.9	46	138	6-23	46	-	-	-	-	-	-	-	-	WITHOUT TAPE	WITH FLANGE	THROUGH HOLE	(SEE SHEET 3)	SOFT TRAY (SEE SHEET 7)	1903015-2
0.76	-	△ 400	1.9	-	-	-	-	33.5	37.5	9.32	0.4	32	28.4	14.2	16	WITHOUT TAPE	WITHOUT FLANGE	THROUGH HOLE	(SEE SHEET 2)	EMBOSS (SEE SHEET 6)	1903015-1
V	U	T	AA	S	R	P	N	M	L	K	J	H	G	F	E	POLYIMIDE TAPE	FLANGE	SHELL TYPE	CONNECTOR	PACKING	PART NUMBER

△ Au PL. △ SCREW SIZE QTY DIMENSION PART LIST

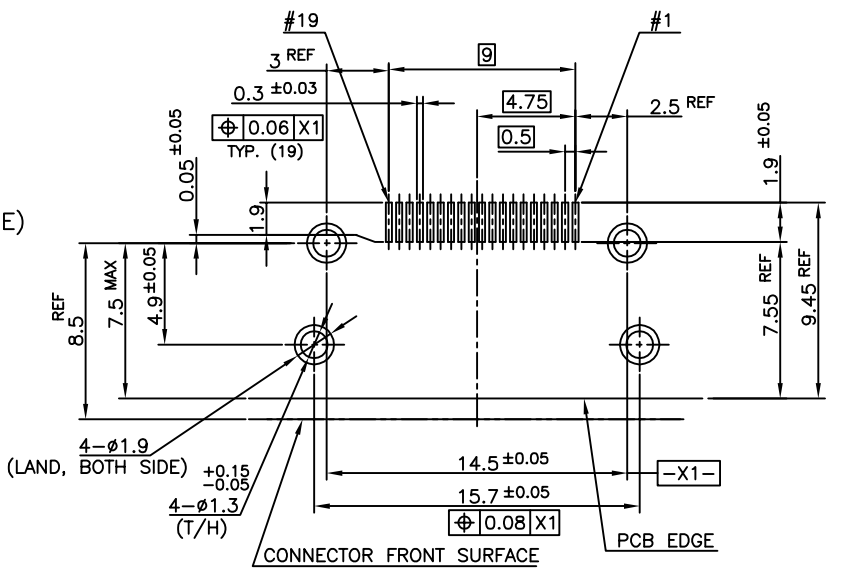
THIS DRAWING IS A CONTROLLED DOCUMENT.

DIMENSIONS: 単位: 英 mm	TOLERANCES UNLESS OTHERWISE SPECIFIED: 一般公差	DWN R.MURAYAMA 26SEP2005	 TE Connectivity NAME HDMI 19 POS RECEPTACLE ASSY SMT SHORT TYPE SIZE A3 CAGE CODE 00779 DRAWING NO 108-78180-2 番号 C=1903015 RESTRICTED TO 番号
0 PLC ±	1 PLC ±	CHK T.KIMURA 26SEP2005	
2 PLC ±	3 PLC ±	APVD T.KIMURA 26SEP2005	
4 PLC ±	ANGLES ±	PRODUCT SPEC 製品規格	
MATERIAL 材料	FINISH 仕上	APPLICATION SPEC 取付適用規格	
WEIGHT		CUSTOMER DRAWING	SCALE 尺度 4:1
			SHEET 1 of 12
			REV R

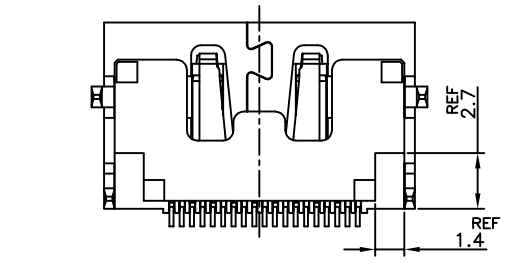
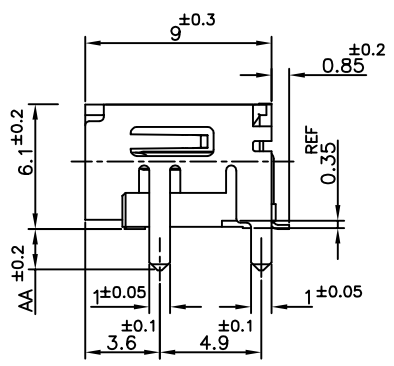
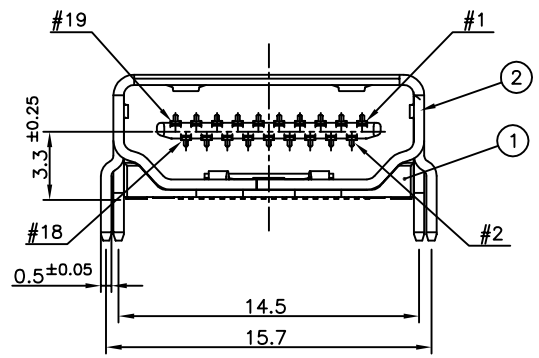
LOC	DIST	REVISIONS					
		P	LTR	DESCRIPTION	DATE	DWN	APVD
		-	-	SEE SHEET 1	-	-	-



PANEL CUT OUT DIMENSION (REFERENCE)



P.C.B LAYOUT (REFERENCE)  
SHOWN AS CONNECTOR MOUNTING SIDE  
TOLERANCE: NON-CUMULATIVE

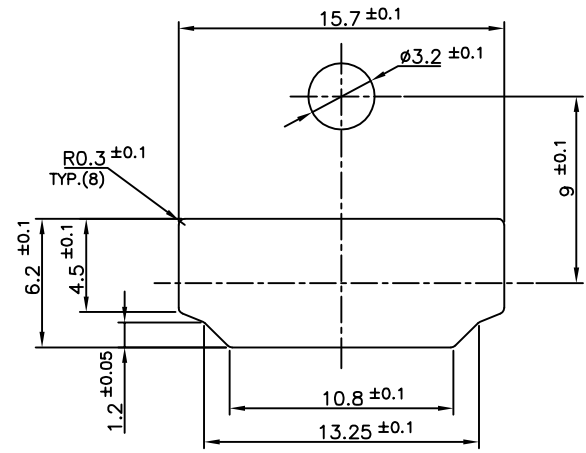
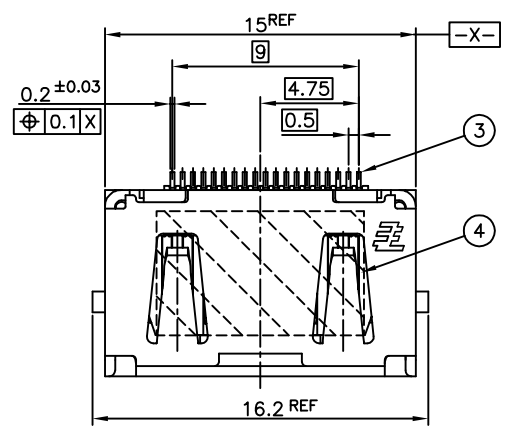


CONNECTOR: WITHOUT FLANGE THROUGH HOLE TYPE

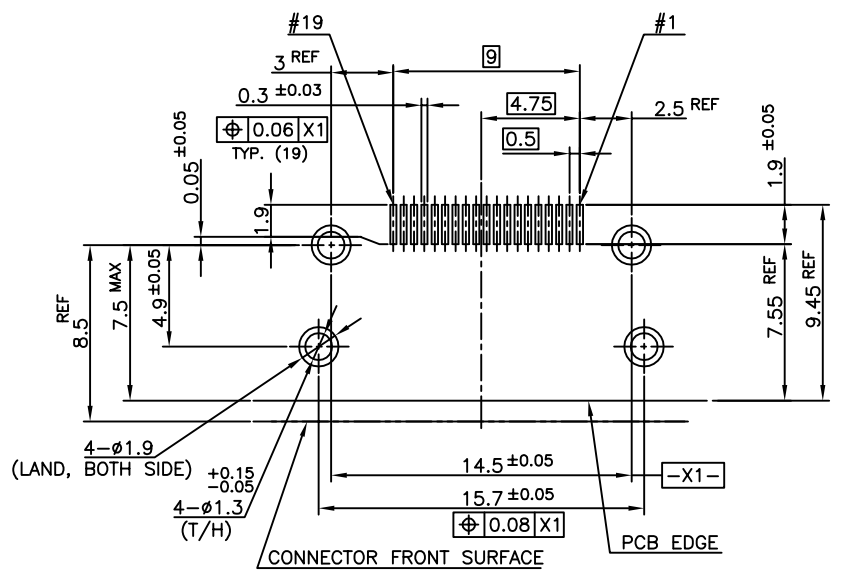
BRASS	CONTACT	(3)
PHOSPHOR BRONZE	SHELL	(2)
GLASS FILLED LCP UL94V-0, BLACK COLOR	HOUSING	(1)
MATERIAL	DESCRIPTION	ITEM

THIS DRAWING IS A CONTROLLED DOCUMENT.		DWN	<b>TE</b> TE Connectivity	
DIMENSIONS: 單位: 毫米 mm		CHK		
TOLERANCES UNLESS OTHERWISE SPECIFIED: 一般公差		APVD	NAME 名稱 HDMI 19 POS RECEPTACLE ASSY SMT SHORT TYPE	
0 PLC ± 1 PLC ± 2 PLC ± 3 PLC ± 4 PLC ± ANGLES ±		PRODUCT SPEC 製品規格	SIZE CAGE CODE DRAWING NO A3 00779 C=1903015	
MATERIAL 材料		APPLICATION SPEC 取付適用規格	RESTRICTED TO	
FINISH 仕上		WEIGHT	SCALE 4:1 SHEET 2 OF 12 REV R	
		CUSTOMER DRAWING		

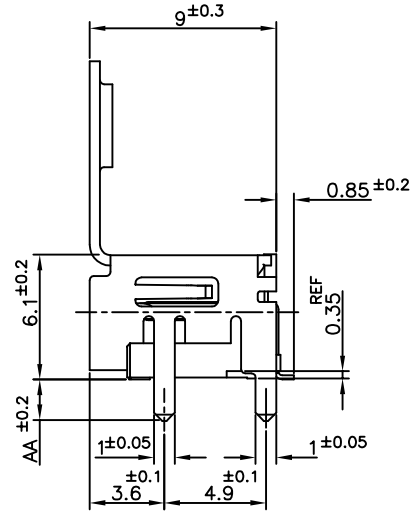
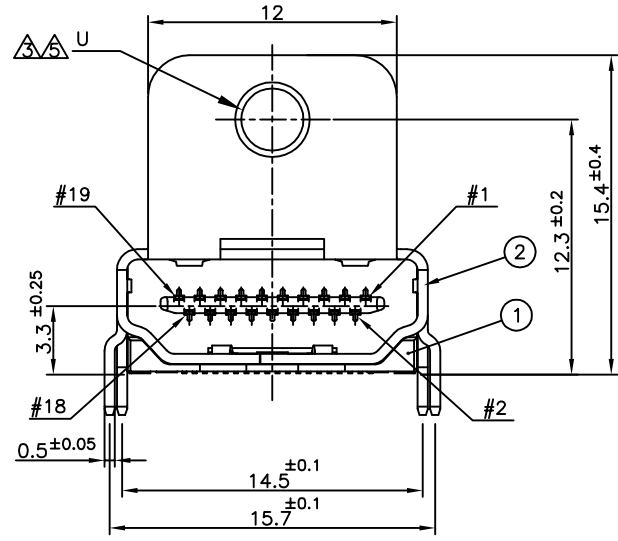
LOC	DIST	REVISIONS				
		P	LTR	DATE	DWN	APVD
		SEE SHEET 1				



PANEL CUT OUT DIMENSION (REFERENCE)

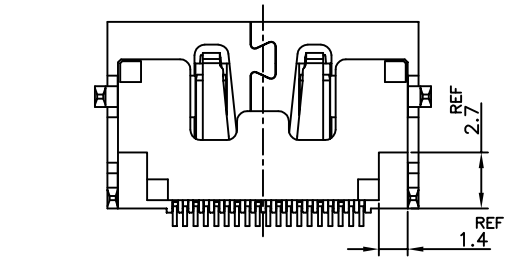


P.C.B LAYOUT (REFERENCE)  
SHOWN AS CONNECTOR MOUNTING SIDE  
TOLERANCE: NON-CUMULATIVE



CONNECTOR: WITH FLANGE THROUGH HOLE TYPE

MATERIAL	DESCRIPTION	ITEM
POLYIMIDE	TAPE	④
BRASS	CONTACT	③
PHOSPHOR BRONZE	SHELL	②
GLASS FILLED LCP UL94V-0, BLACK COLOR	HOUSING	①



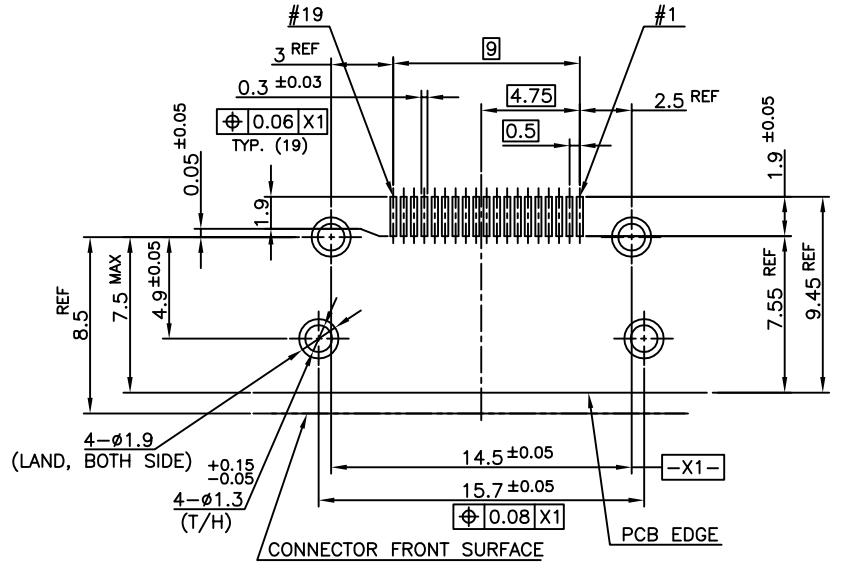
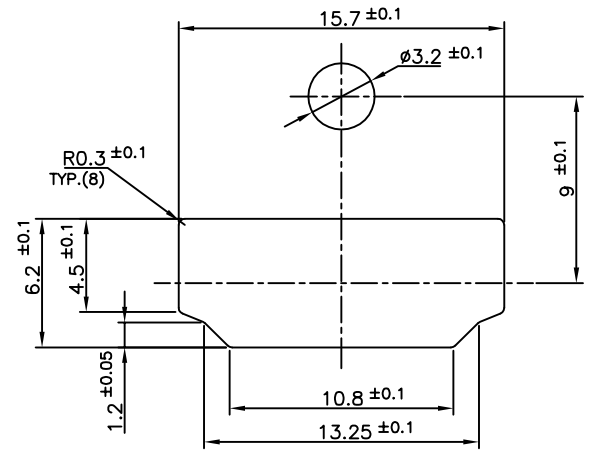
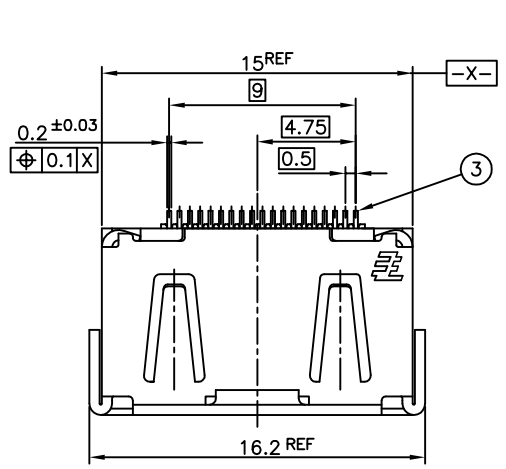
THIS DRAWING IS A CONTROLLED DOCUMENT.

DIMENSIONS: 單位: 毫米 mm	TOLERANCES UNLESS OTHERWISE SPECIFIED: 一般公差	DWN	CHK	APVD	NAME 名稱
0 PLC ±	1 PLC ±	PRODUCT SPEC 製品規格	HDMI 19 POS RECEPTACLE ASSY SMT SHORT TYPE		
2 PLC ±	3 PLC ±	APPLICATION SPEC 取付適用規格	WEIGHT	SIZE A3	CAGE CODE 00779
4 PLC ±	ANGLES ±	MATERIAL 材料	CUSTOMER DRAWING	DRAWING NO C=1903015	RESTRICTED TO
FINISH 仕上				SCALE 尺度 4:1	SHEET 3 OF 12

TE Connectivity

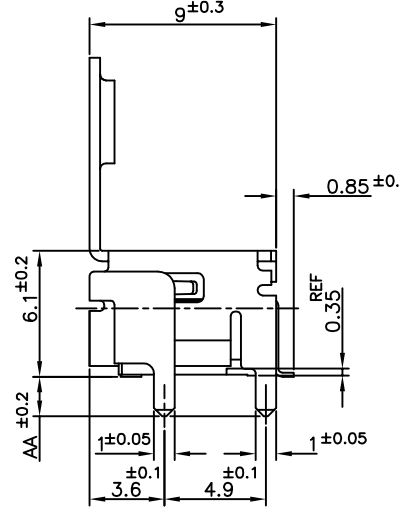
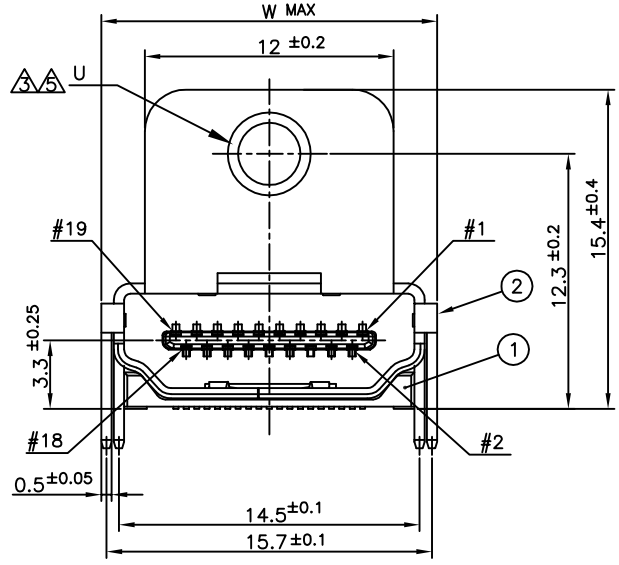
THIS DRAWING IS UNPUBLISHED. RELEASED FOR PUBLICATION SEP ,2005. ALL RIGHTS RESERVED.

LOC		DIST		REVISIONS			DATE	DWN	APVD
				變更					
P	LTR	DESCRIPTION							
-	-	SEE SHEET 1			-	-	-	-	-

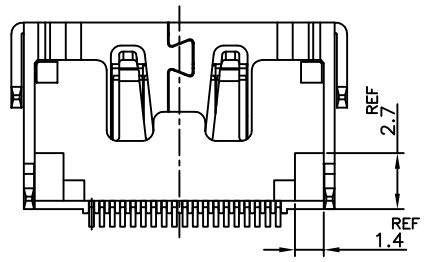


P.C.B LAYOUT (REFERENCE)  
SHOWN AS CONNECTOR MOUNTING SIDE  
TOLERANCE: NON-CUMULATIVE


POLYIMIDE	TAPE	(4)
BRASS	CONTACT	(3)
PHOSPHOR BRONZE	SHELL	(2)
GLASS FILLED LCP UL94V-0, BLACK COLOR	HOUSING	(1)
MATERIAL	DESCRIPTION	ITEM



CONNECTOR: WITH FLANGE THROUGH HOLE TYPE



THIS DRAWING IS A CONTROLLED DOCUMENT.

DIMENSIONS: 單位: 毫米 mm	TOLERANCES UNLESS OTHERWISE SPECIFIED: 一般公差	DWN	TE Connectivity	
	0 PLC ±	CHK	NAME 名稱	
	1 PLC ±	APVD	HDMI 19 POS RECEPTACLE ASSY	
	2 PLC ±	PRODUCT SPEC 製品規格	SMT SHORT TYPE	
	3 PLC ±	APPLICATION SPEC 取付適用規格	SIZE CAGE CODE DRAWING NO A3 00779 G=1903015	
4 PLC ±	4 PLC ANGLES ±	WEIGHT	RESTRICTED TO	
MATERIAL 材料	FINISH 仕上	CUSTOMER DRAWING	SCALE 尺度 4:1	SHEET 4 OF 12

THIS DRAWING IS UNPUBLISHED.

RELEASED FOR PUBLICATION

SEP ,2005.

© COPYRIGHT 2005 By -

ALL RIGHTS RESERVED.

LOC DIST

REVISIONS

変更

DESCRIPTION

DATE

DWN

APVD

P

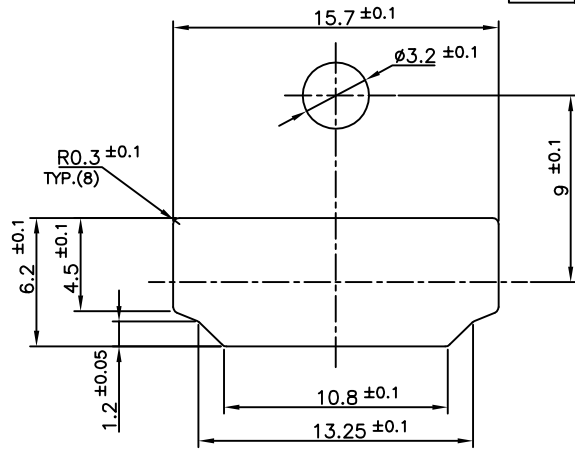
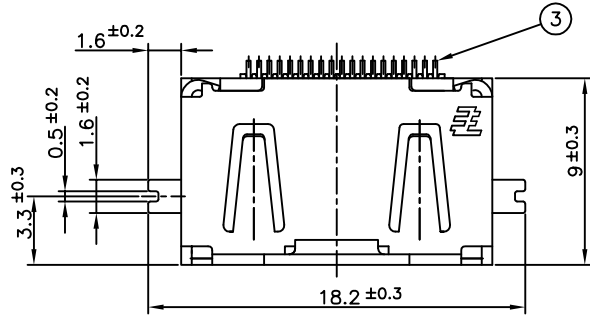
LTR

SEE SHEET 1

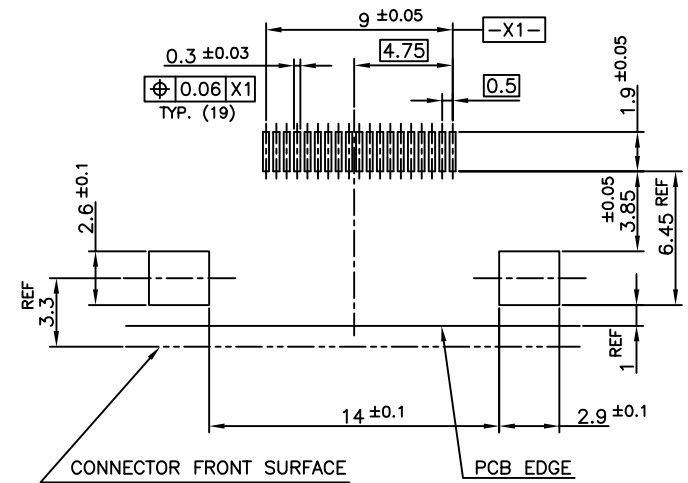
-

-

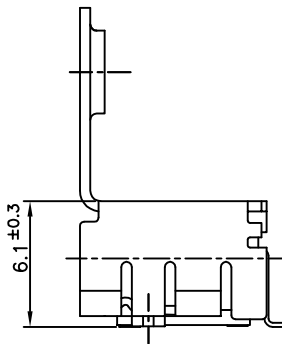
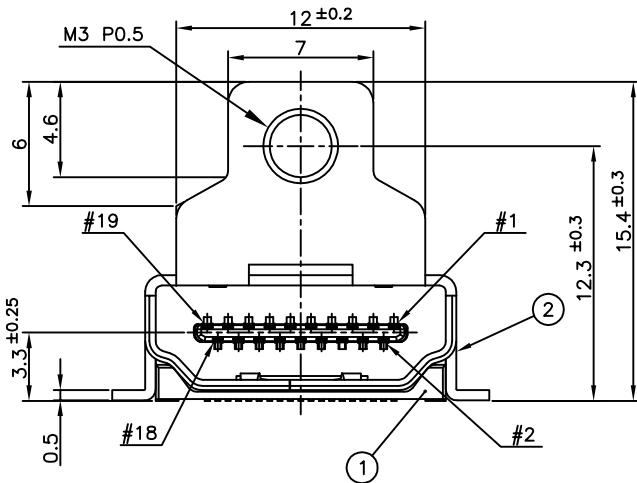
-



PANEL CUT OUT DIMENSION (REFERENCE)

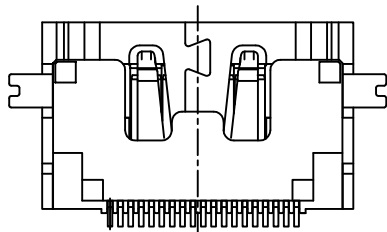


P.C.B LAYOUT (REFERENCE)  
SHOWN AS CONNECTOR MOUNTING SIDE  
TOLERANCE: NON-CUMULATIVE



CONNECTOR: WITH FLANGE FULL SMT TYPE

BRASS	CONTACT	③
PHOSPHOR BRONZE	SHELL	②
GLASS FILLED LCP UL94V-0, BLACK COLOR	HOUSING	①
MATERIAL	DESCRIPTION	ITEM



THIS DRAWING IS A CONTROLLED DOCUMENT.

DIMENSIONS:  
單位: 毫米  
mm

TOLERANCES UNLESS  
OTHERWISE SPECIFIED:  
一般公差

- 0 PLC ±
- 1 PLC ±
- 2 PLC ±
- 3 PLC ±
- 4 PLC ±
- ANGLES ±
- FINISH 仕上

MATERIAL  
材料

DWN

CHK

APVD

PRODUCT SPEC  
製品規格

APPLICATION SPEC  
取付適用規格

WEIGHT

CUSTOMER DRAWING

**TE** TE Connectivity

HDMI 19 POS RECEPTACLE ASSY  
SMT SHORT TYPE

SIZE A3 CAGE CODE 00779 DRAWING NO. C=1903015

RESTRICTED TO

SCALE 4:1

SHEET 5 OF 12

REV R

4

3

2

1

THIS DRAWING IS UNPUBLISHED.

RELEASED FOR PUBLICATION

SEP, 2005.

© COPYRIGHT 2005 By -

ALL RIGHTS RESERVED.

1903015-1, 2-1903015-2, 5-1903015-1  
5-1903015-5, 7-1903015-1; AS SHOWN

LOC  
DIST

REVISIONS

変更

DESCRIPTION

DATE

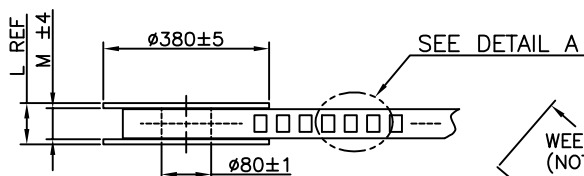
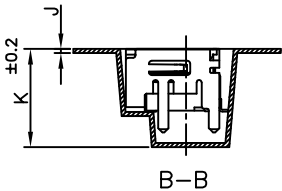
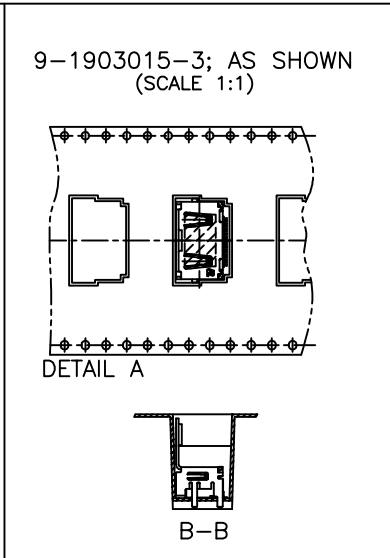
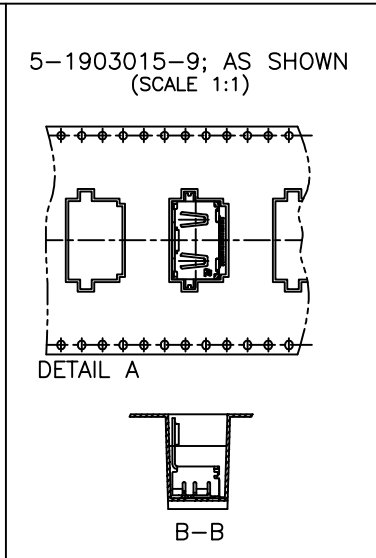
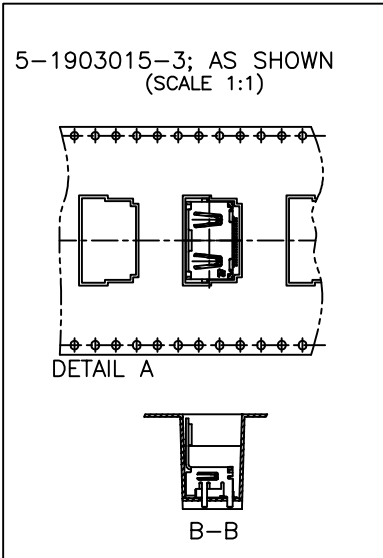
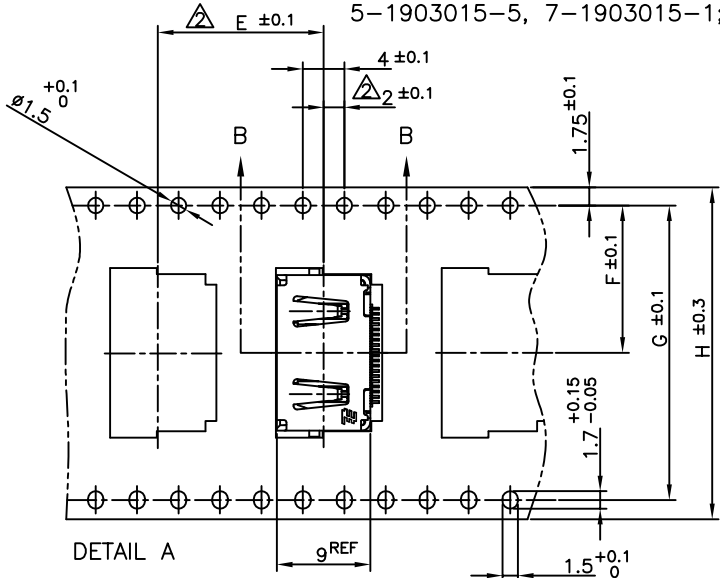
DWN

APVD

P

LTR

SEE SHEET 1

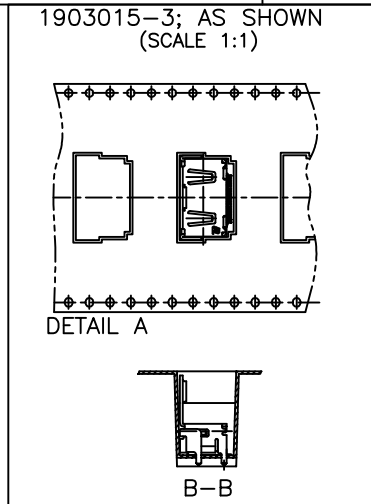


WEEDING THE COVER TAPE: 300 MIN (NOT INCLUDE EMPTINESS POCKET)

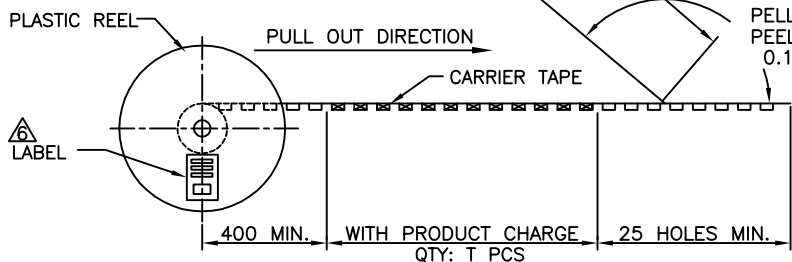
PELLING ANGLE: 165°~180°  
PEELING STRENGTH: 0.1~0.7N (300mm/min.)

△ LABEL DESCRIPTION

TYCO P/N: \*-1903015-\*  
QTY: \* pcs  
D/C: MADE IN CHINA



PET	COVER TAPE
PS	CARRIER TAPE
PLASTIC	REEL
MATERIAL	DESCRIPTION



THIS DRAWING IS A CONTROLLED DOCUMENT.

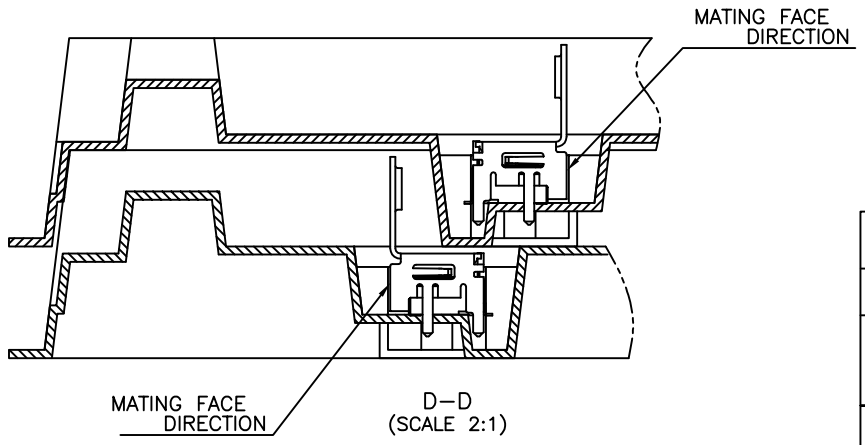
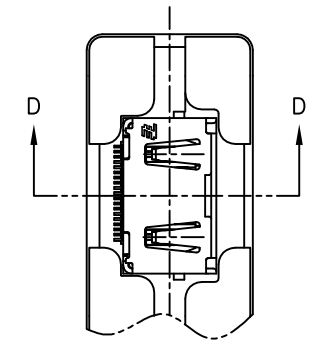
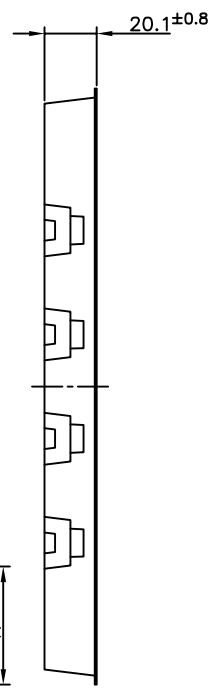
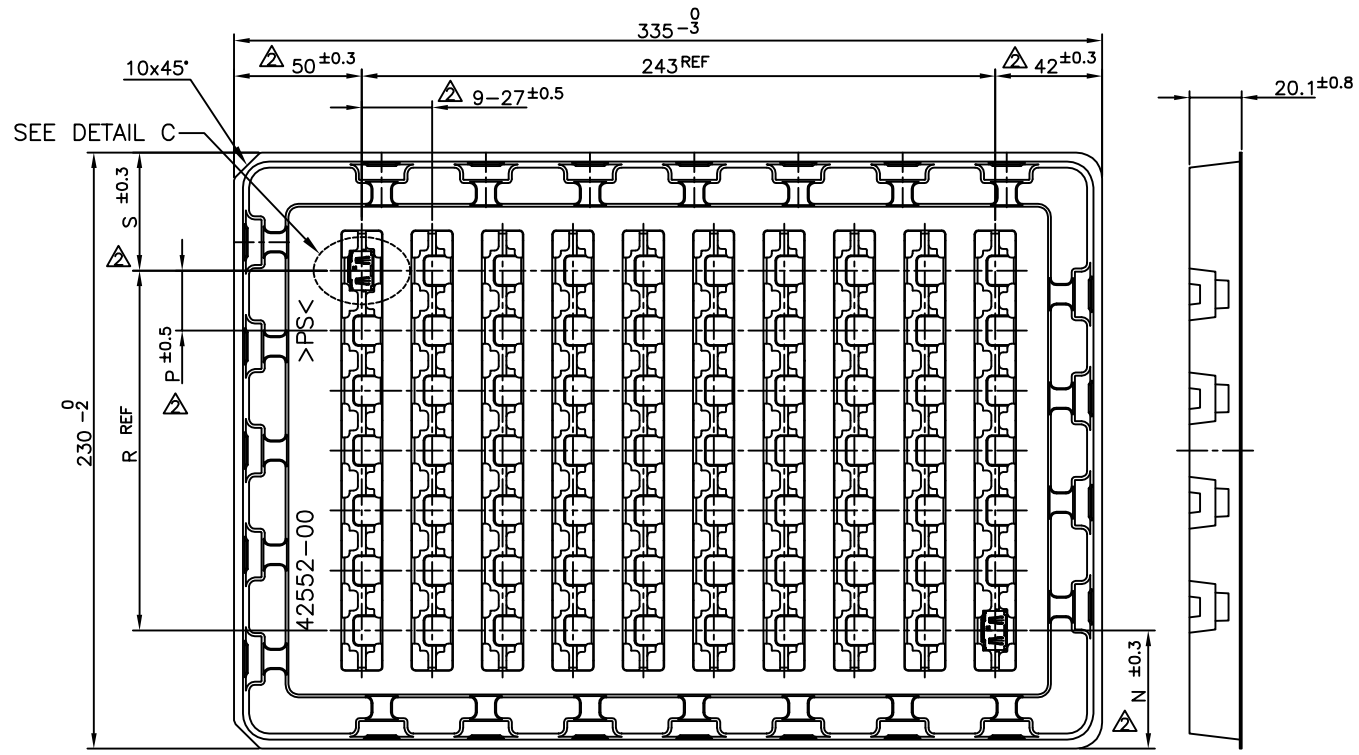
DIMENSIONS: 單位: 毫米 mm	TOLERANCES UNLESS OTHERWISE SPECIFIED: 一般公差	DWN
	0 PLC ±	CHK
	1 PLC ±	APVD
	2 PLC ±	PRODUCT SPEC 製品規格
	3 PLC ±	APPLICATION SPEC 取付適用規格
	4 PLC ±	WEIGHT
	ANGLES ±	CUSTOMER DRAWING
MATERIAL 材料	FINISH 仕上	

TE Connectivity		NAME 名称	
		HDMI 19 POS RECEPTACLE ASSY SMT SHORT TYPE	
SIZE	CAGE CODE	DRAWING NO 番号	RESTRICTED TO
A3	00779	G=1903015	
SCALE 尺度	SHEET	REV	
4:1	6 OF 12	R	

THIS DRAWING IS UNPUBLISHED. RELEASED FOR PUBLICATION SEP, 2005. ALL RIGHTS RESERVED.

1903015-2, 1903015-5, 4-1903015-1, 5-1903015-2, 5-1903015-4  
8-1903015-4, 9-1903015-4; AS SHOWN

LOC	DIST	REVISIONS					
		P	LTR	DESCRIPTION	DATE	DWN	APVD
		-	-	SEE SHEET 1	-	-	-



THIS DRAWING IS A CONTROLLED DOCUMENT.		DWN		PS MATERIAL		TE Connectivity	
DIMENSIONS: 單位: 毫米 mm		TOLERANCES UNLESS OTHERWISE SPECIFIED: 一般公差		CHK		TE Connectivity	
0 PLC ±		1 PLC ±		APVD		NAME 名稱	
2 PLC ±		3 PLC ±		PRODUCT SPEC 製品規格		HDMI 19 POS RECEPTACLE ASSY	
4 PLC ±		FINISH 仕上		APPLICATION SPEC 取付適用規格		SMT SHORT TYPE	
MATERIAL 材料		CUSTOMER DRAWING		WEIGHT		SIZE A3	
				CAGE CODE 00779		DRAWING NO 1903015	
				SCALE 尺度 4:1		SHEET 7 OF 12	
				RESTRICTED TO		REV R	

THIS DRAWING IS UNPUBLISHED.

RELEASED FOR PUBLICATION

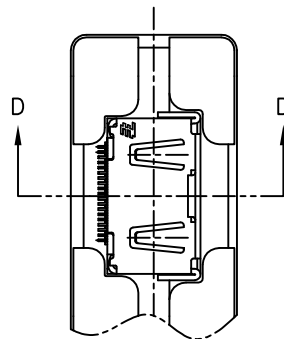
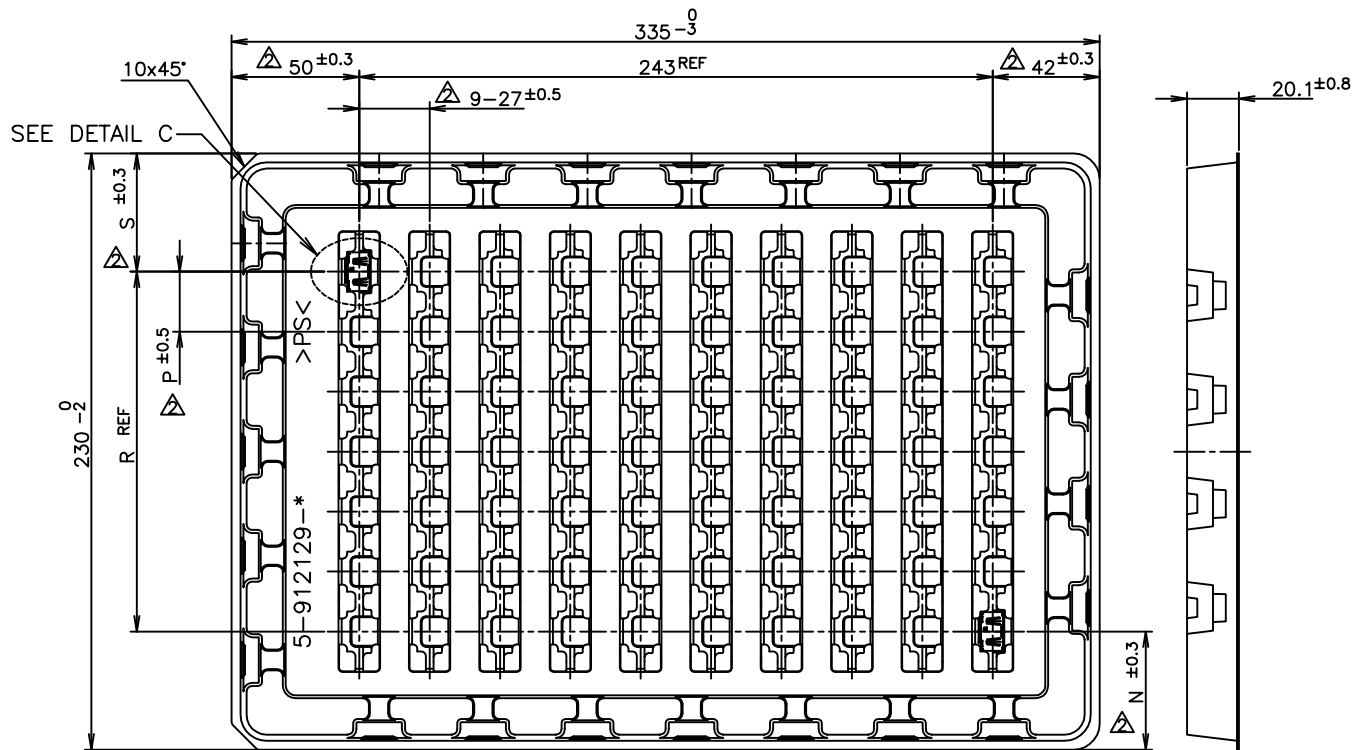
SEP, 2005.

© COPYRIGHT 2005 By -

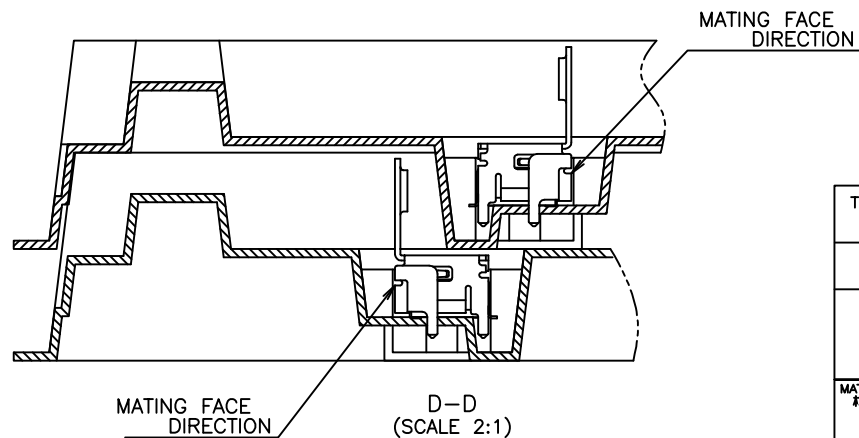
ALL RIGHTS RESERVED.

1903015-4; AS SHOWN

LOC	DIST	REVISIONS					
		P	LTR	DESCRIPTION	DATE	DWN	APVD
		-		SEE SHEET 1	-	-	-



DETAIL C (SCALE 2:1)



THIS DRAWING IS A CONTROLLED DOCUMENT.

DIMENSIONS:  
單位: 毫米  
mm



MATERIAL  
材料

TOLERANCES UNLESS  
OTHERWISE SPECIFIED:  
一般公差

- 0 PLC ±
- 1 PLC ±
- 2 PLC ±
- 3 PLC ±
- 4 PLC ±
- ANGLES ±
- FINISH  
仕上

CHK
APVD
PRODUCT SPEC 製品規格
APPLICATION SPEC 取付適用規格
WEIGHT
CUSTOMER DRAWING

DWN		PS MATERIAL		CHK		TE Connectivity		TRAY DESCRIPTION	
APVD		MATERIAL		PRODUCT SPEC		TE Connectivity		DESCRIPTION	
NAME 名称		PS		APPLICATION SPEC		HDMI 19 POS RECEPTACLE ASSY SMT SHORT TYPE		TRAY	
SIZE		CAGE CODE		DRAWING NO		DRAWING NO		RESTRICTED TO	
A3		00779		C=1903015		C=1903015		REV R	
SCALE 尺度		SHEET		SHEET		SHEET		REV	
4:1		8 OF 12		8 OF 12		8 OF 12		REV R	



THIS DRAWING IS UNPUBLISHED.

RELEASED FOR PUBLICATION

SEP, 2005.

© COPYRIGHT 2005 By -

ALL RIGHTS RESERVED.

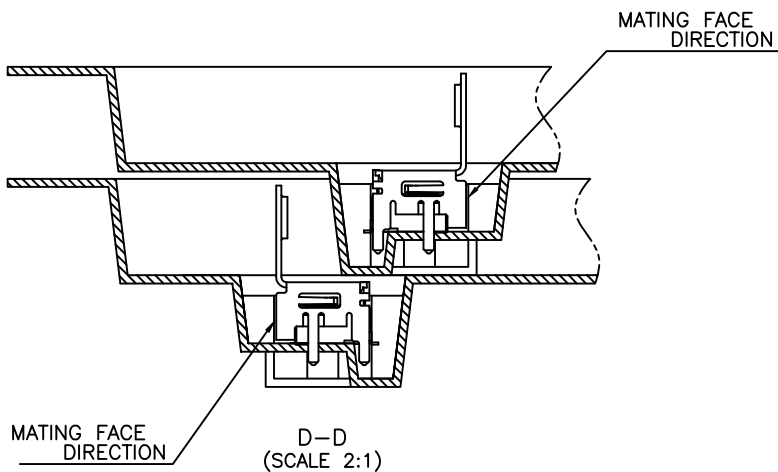
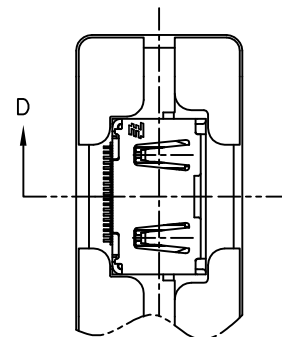
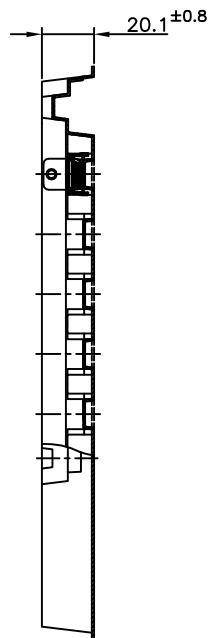
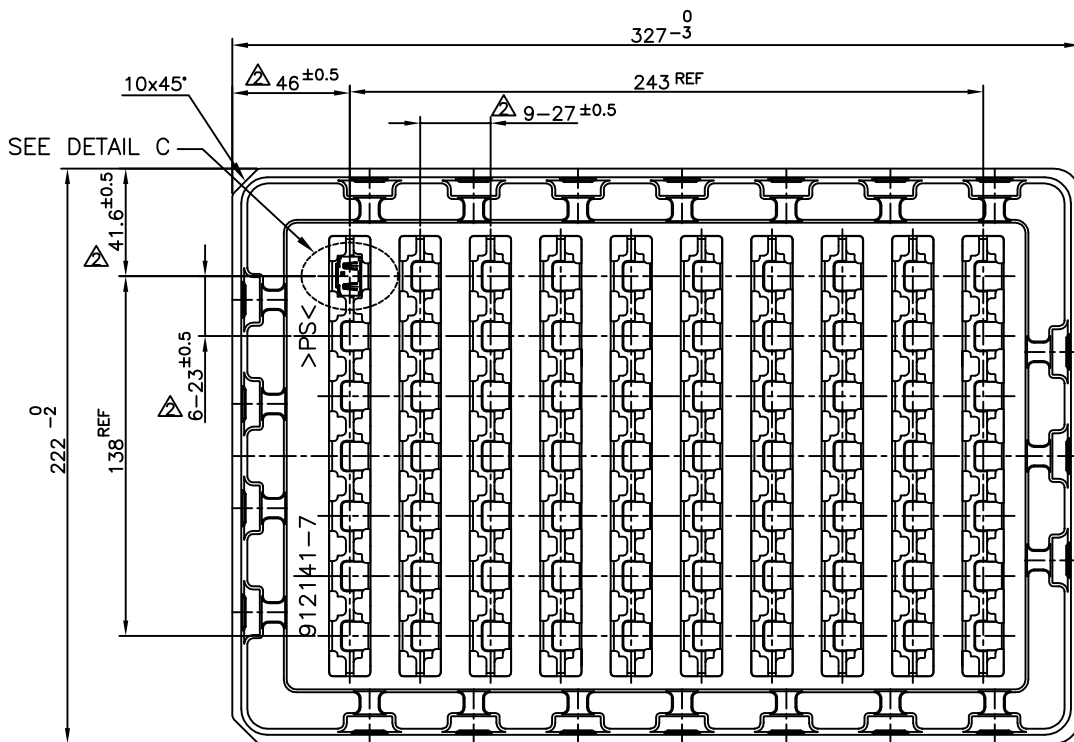
1903015-7, 1903015-8; AS SHOWN

LOC	DIST
-	-

REVISIONS

変更

P	LTR	DESCRIPTION	DATE	DWN	APVD
-	-	SEE SHEET 1	-	-	-



THIS DRAWING IS A CONTROLLED DOCUMENT.

DIMENSIONS: 單位: 毫米 mm	TOLERANCES UNLESS OTHERWISE SPECIFIED: 一般公差	0 PLC ±	1 PLC ±	2 PLC ±	3 PLC ±	4 PLC ±	ANGLES ±	FINISH 仕上	DWN	CHK	APVD	PRODUCT SPEC 製品規格	APPLICATION SPEC 取付適用規格	WEIGHT	CUSTOMER DRAWING
												NAME 名称 HDMI 19 POS RECEPTACLE ASSY SMT SHORT TYPE			
MATERIAL 材料									SIZE A3	CAGE CODE 00779	DRAWING NO 番号 C=1903015	RESTRICTED TO 番号			
SCALE 尺度 4:1												SHEET 9 of 12	REV R		

THIS DRAWING IS UNPUBLISHED.

RELEASED FOR PUBLICATION

SEP, 2005.

ALL RIGHTS RESERVED.

© COPYRIGHT 2005 By -

LOC	DIST
-	-

REVISIONS

変更

DESCRIPTION

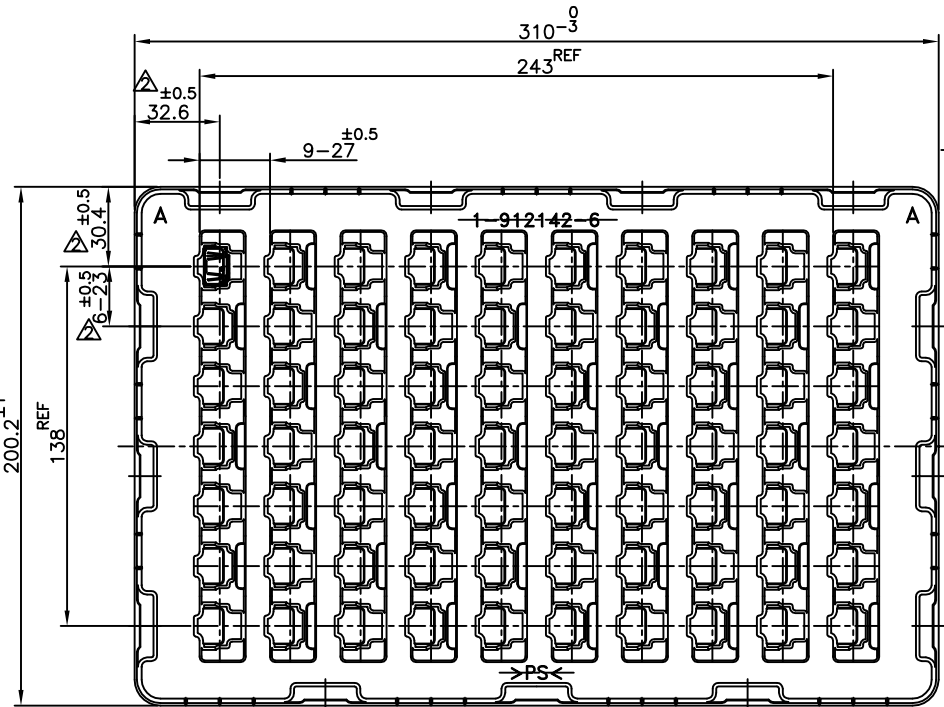
DATE

DWN

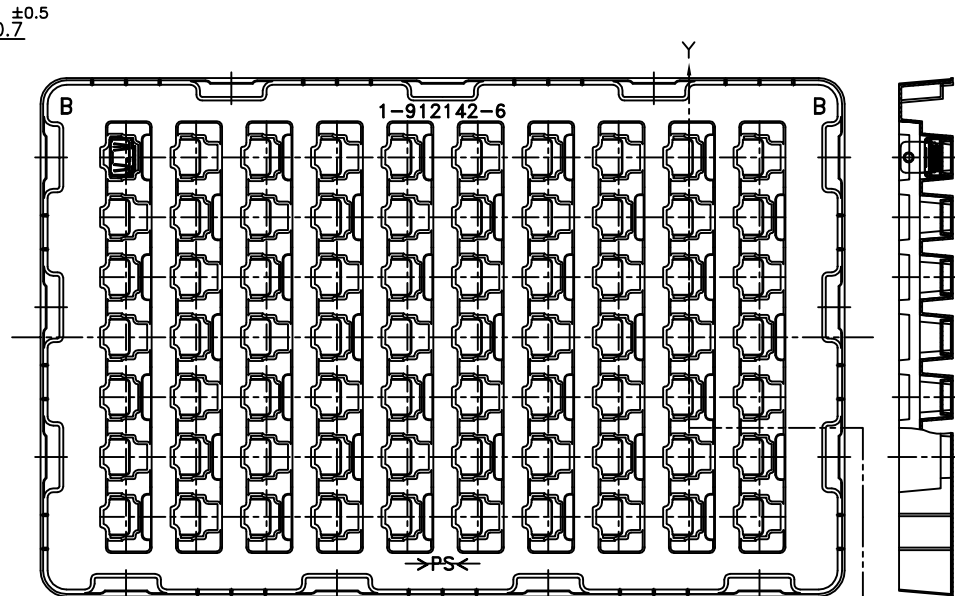
APVD

SEE SHEET 1

8-1903015-4; AS SHOWN

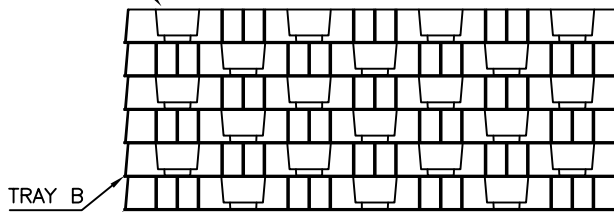


TRAY A



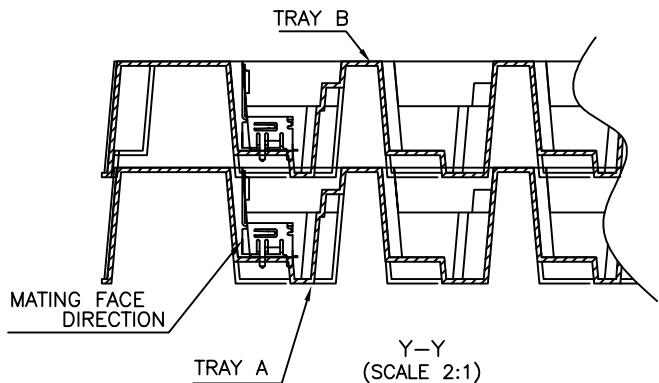
TRAY B

TRAY B (EMPTY)



TRAY B

TRAY A



MATING FACE DIRECTION

TRAY A

Y-Y (SCALE 2:1)

PS	TRAY
MATERIAL	DESCRIPTION

THIS DRAWING IS A CONTROLLED DOCUMENT.

DIMENSIONS: 單位: 話 mm	TOLERANCES UNLESS OTHERWISE SPECIFIED: 一般公差	DWN	TE Connectivity																											
<table border="1"> <tr><td>0 PLC</td><td>±</td></tr> <tr><td>1 PLC</td><td>±</td></tr> <tr><td>2 PLC</td><td>±</td></tr> <tr><td>3 PLC</td><td>±</td></tr> <tr><td>4 PLC</td><td>±</td></tr> <tr><td>4 PLC ANGLES</td><td>±</td></tr> </table>	0 PLC	±		1 PLC	±	2 PLC	±	3 PLC	±	4 PLC	±	4 PLC ANGLES	±	FINISH 仕上	<table border="1"> <tr><td>CHK</td></tr> <tr><td>APVD</td></tr> <tr><td>PRODUCT SPEC 製品規格</td></tr> <tr><td>APPLICATION SPEC 取付適用規格</td></tr> <tr><td>WEIGHT</td></tr> </table>	CHK	APVD	PRODUCT SPEC 製品規格	APPLICATION SPEC 取付適用規格	WEIGHT	<table border="1"> <tr><td>NAME 名稱</td></tr> <tr><td>HDMI 19 POS RECEPTACLE ASSY SMT SHORT TYPE</td></tr> <tr><td>SIZE</td></tr> <tr><td>A3</td></tr> <tr><td>CAGE CODE</td></tr> <tr><td>00779</td></tr> <tr><td>DRAWING NO 番号</td></tr> <tr><td>C=1903015</td></tr> <tr><td>RESTRICTED TO</td></tr> <tr><td></td></tr> </table>	NAME 名稱	HDMI 19 POS RECEPTACLE ASSY SMT SHORT TYPE	SIZE	A3	CAGE CODE	00779	DRAWING NO 番号	C=1903015	RESTRICTED TO
0 PLC	±																													
1 PLC	±																													
2 PLC	±																													
3 PLC	±																													
4 PLC	±																													
4 PLC ANGLES	±																													
CHK																														
APVD																														
PRODUCT SPEC 製品規格																														
APPLICATION SPEC 取付適用規格																														
WEIGHT																														
NAME 名稱																														
HDMI 19 POS RECEPTACLE ASSY SMT SHORT TYPE																														
SIZE																														
A3																														
CAGE CODE																														
00779																														
DRAWING NO 番号																														
C=1903015																														
RESTRICTED TO																														
MATERIAL 材料		CUSTOMER DRAWING	<table border="1"> <tr><td>SCALE 尺度</td></tr> <tr><td>4:1</td></tr> <tr><td>SHEET</td></tr> <tr><td>10 OF 12</td></tr> <tr><td>REV</td></tr> <tr><td>R</td></tr> </table>	SCALE 尺度	4:1	SHEET	10 OF 12	REV	R																					
SCALE 尺度																														
4:1																														
SHEET																														
10 OF 12																														
REV																														
R																														

4

3

2

1

THIS DRAWING IS UNPUBLISHED.

RELEASED FOR PUBLICATION

SEP ,2005.

© COPYRIGHT 2005 By -

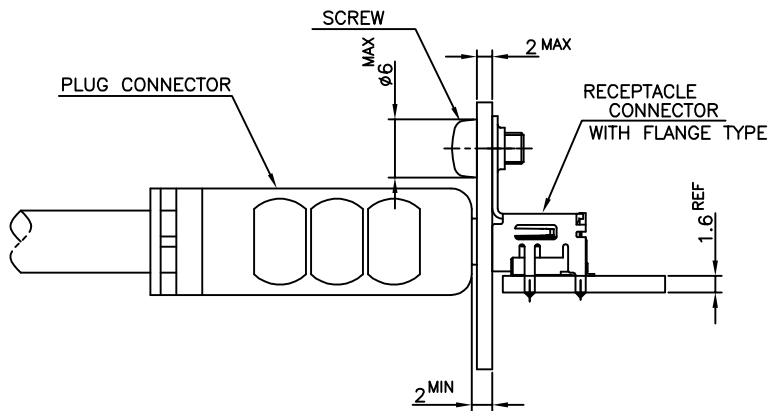
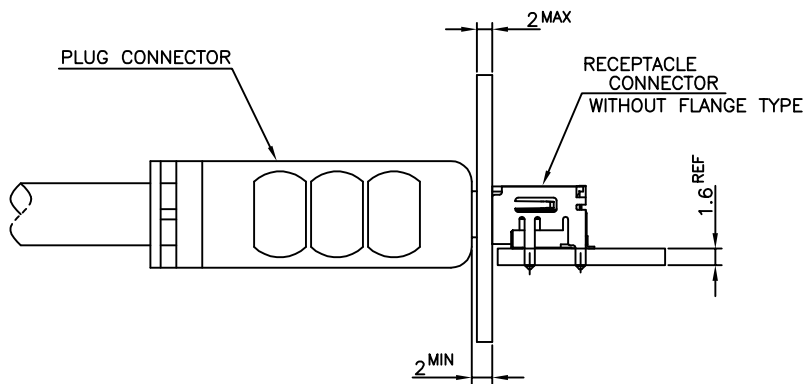
ALL RIGHTS RESERVED.

LOC	DIST
-	-

REVISIONS

変更

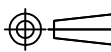
P	LTR	DESCRIPTION	DATE	DWN	APVD
-	-	SEE SHEET 1	-	-	-



MATING CONDITION (REFERENCE)  
(SCALE 2:1)

THIS DRAWING IS A CONTROLLED DOCUMENT.

DIMENSIONS:  
單位: 毫米  
mm



MATERIAL  
材料

TOLERANCES UNLESS OTHERWISE SPECIFIED:  
一般公差

- 0 PLC ±
- 1 PLC ±
- 2 PLC ±
- 3 PLC ±
- 4 PLC ±
- ANGLES ±

FINISH  
仕上

DWN
CHK
APVD
PRODUCT SPEC 製品規格
APPLICATION SPEC 取付適用規格
WEIGHT



TE Connectivity

NAME  
名称  
HDMI 19 POS RECEPTACLE ASSY  
SMT SHORT TYPE

SIZE A3	CAGE CODE 00779	DRAWING NO 番号 G=1903015	RESTRICTED TO
------------	--------------------	-------------------------------	---------------

CUSTOMER DRAWING

SCALE  
尺度 4:1

SHEET  
11 OF 12

REV  
R

THIS DRAWING IS PUBLISHED.

NOT BASED FOR PUBLICATION

SEP., 2005.

© COPYRIGHT 2005. By -

ALL RIGHTS RESERVED.

LOC

DIST

REV

DATE

DWN

APVD

P LTR

DESCRIPTION

DATE

DWN

APVD

SEE SHEET 1

P/N:6-1903015-3

D

D

C

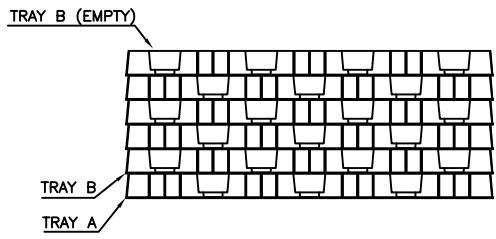
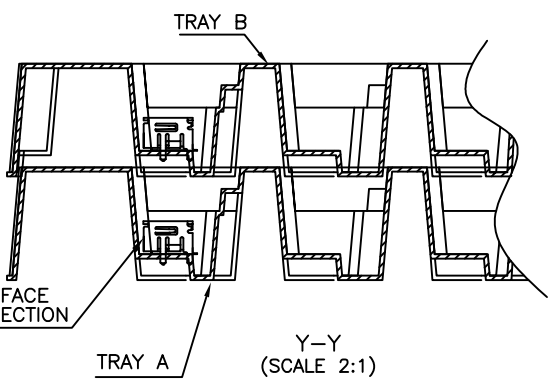
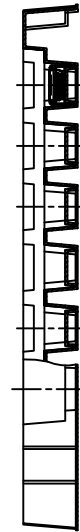
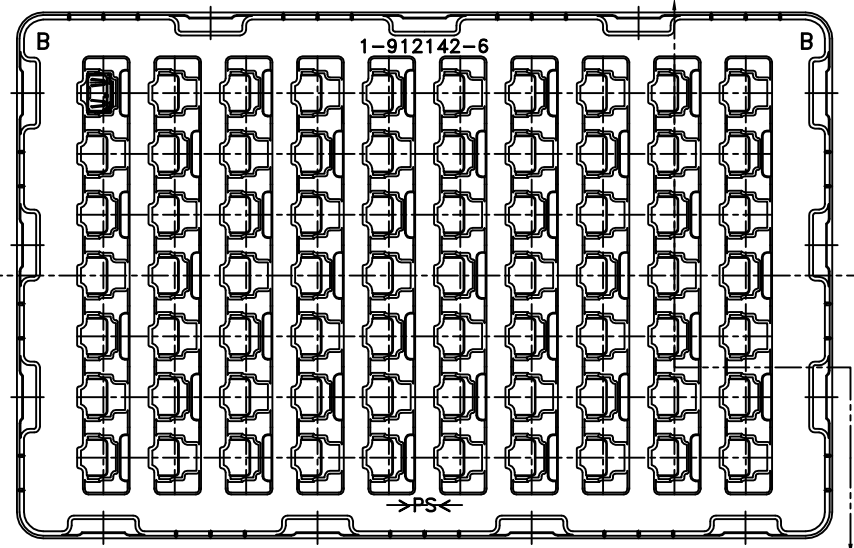
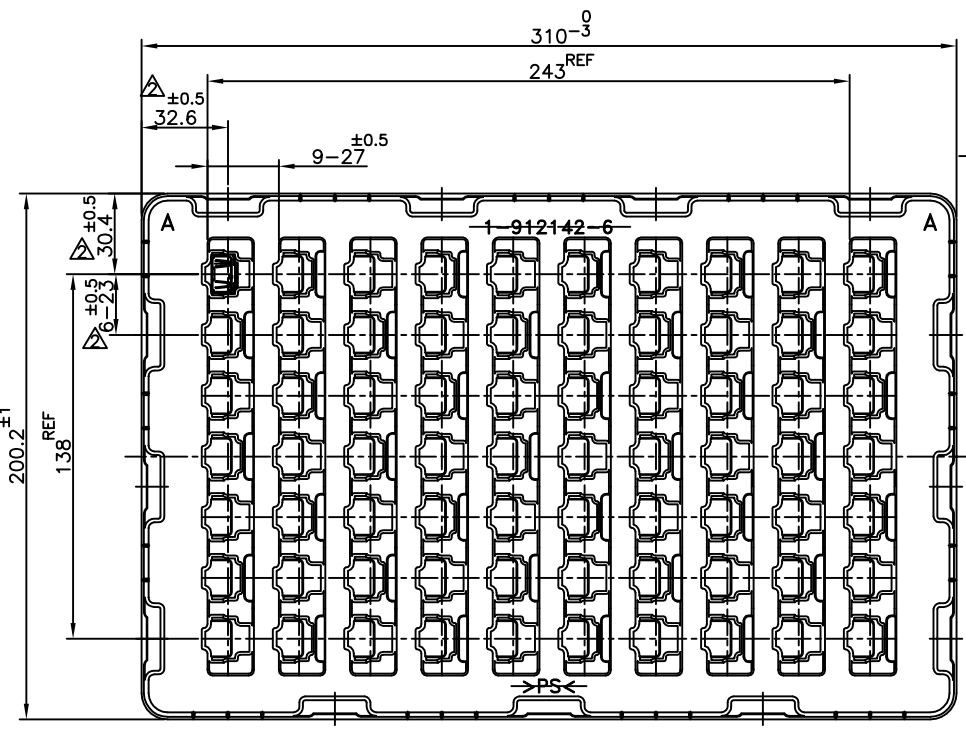
C

B

B

A

A



THIS DRAWING IS A CONTROLLED DOCUMENT.		DWN	TE Connectivity			
DIMENSIONS: 單位: 毫米 mm		CHK				
TOLERANCES UNLESS OTHERWISE SPECIFIED: 一般公差		APVD	NAME 名稱			
0 PLC ± 1 PLC ± 2 PLC ± 3 PLC ± 4 PLC ANGLE ±		PRODUCT SPEC 製品規格	HDMI 19 POS RECEPTACLE ASSY SMT SHORT TYPE			
MATERIAL 材料		APPLICATION SPEC 取付適用規格	SIZE	CAGE CODE	DRAWING NO 番号	RESTRICTED TO
FINISH 仕上		WEIGHT	A3	00779	C-1903015	-
CUSTOMER DRAWING			SCALE 尺度	SHEET	REV	
			4:1	12 OF 12	R	