

PLEASE CHECK WWW.MOLEX.COM FOR LATEST PART INFORMATION

Part Number: [73386-0500](#)
Status: **Active**
Overview: RF/Microwave Adapters
Description: 50 Ohms, Adapter, TNC Jack, 4 Hole Flange/BMA, Male

Documents:

[Drawing \(PDF\)](#) [RoHS Certificate of Compliance \(PDF\)](#)

General

Product Family	RF/Coax Connectors
Series	73386
Overview	RF/Microwave Adapters
Product Name	Adapter, BMA, TNC
Style	Adapter
UPC	756054554685
Wire/Cable Type	N/A

Physical

Cable Attachment	N/A
Gender	Plug
Keying to Mating Part	None
Orientation	Straight
PCB Mounting	N/A
Packaging Type	Bag
Panel Mount	Yes
Panel Mount Method	Flange
Reverse Polar	No

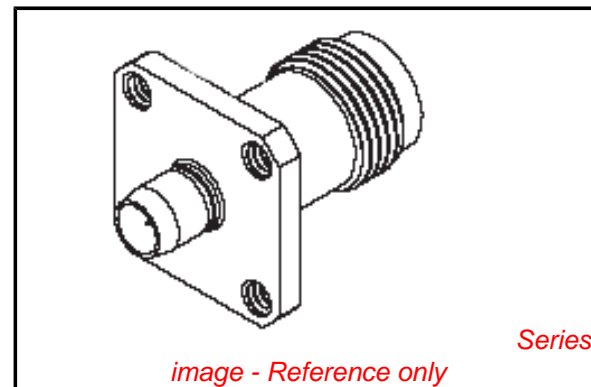
Electrical

Impedance	50#
-----------	-----

Material Info

Reference - Drawing Numbers

Sales Drawing	SD-73386-050
---------------	--------------



EU RoHS

RoHS Compliant RF Product

REACH SVHC

Not Reviewed

Low-Halogen Status

Not Reviewed

China RoHS



Need more information on product environmental compliance?

Email productcompliance@molex.com
 For a multiple part number RoHS Certificate of Compliance, [click here](#)

Please visit the [Contact Us](#) section for any non-product compliance questions.

Search Parts in this Series

[73386Series](#)