

## SERIES 02

### FEATURES

- Rapid, Easy Connections
- Hex Nut for Adjusting Tension
- Choices of Sizes and Styles

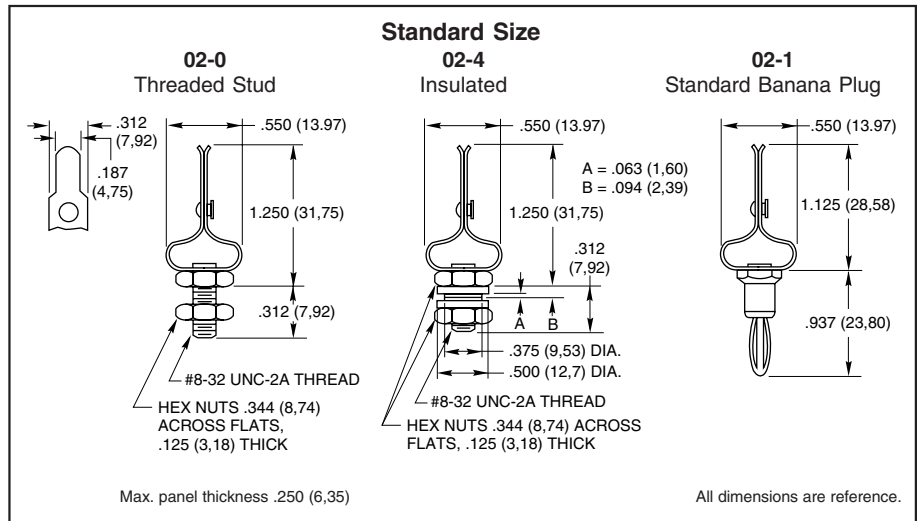
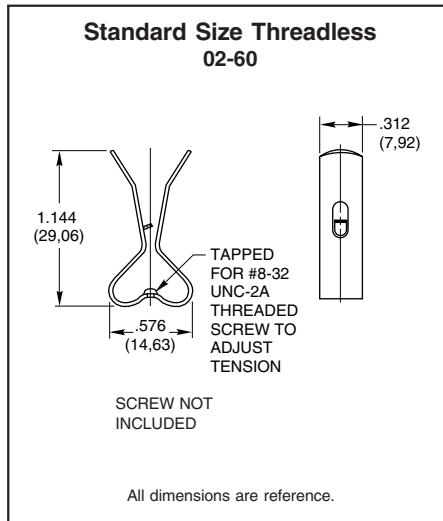
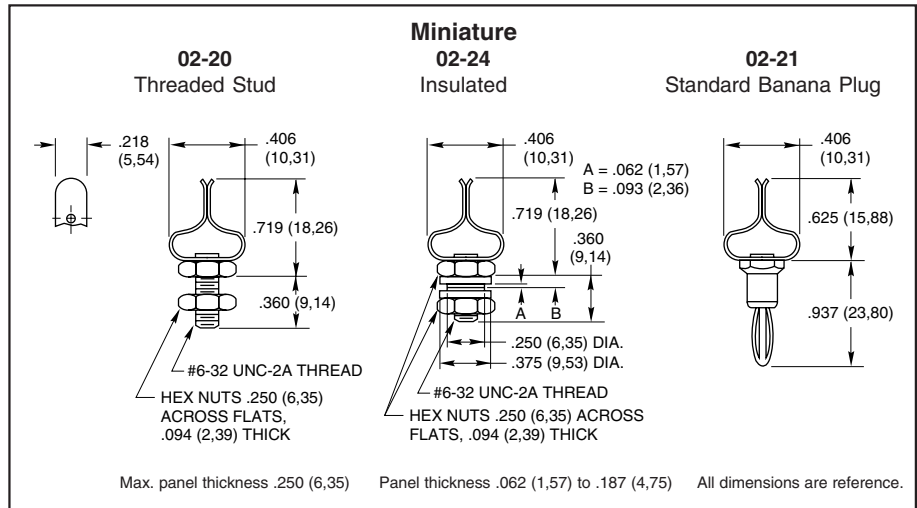
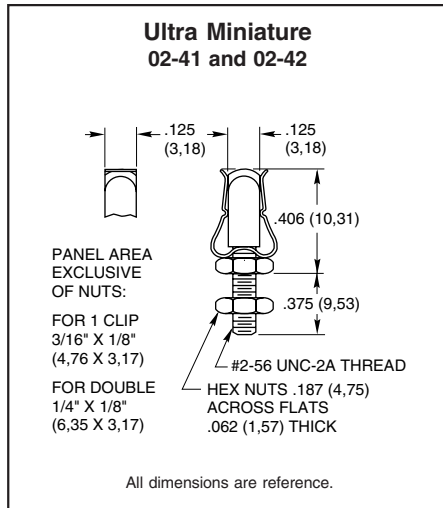


Ultra-Miniature

Miniature

Standard Size

### DIMENSIONS In Inches (and millimeters)



### STANDARD OPTIONS

Standard Size Threaded Stud Clip can be made of Stainless Steel or Inconel X material.  
**Not available through Distributors.**

### SPECIFICATIONS

#### Materials and Finishes

**Studs:** Nickel-plated steel except for 02-41 and 02-42 which are nickel-plated brass  
**Rivets and Nuts:** Nickel-plated brass  
**Spring Clips:** Nickel-plated brass except for 02-41 and 02-42 which are nickel-plated beryllium copper  
**Insulators:** Thermoset plastic

### ORDERING INFORMATION

Order using part numbers shown in dimensions.

**Available from your local Grayhill Distributor.**  
For prices and discounts, contact a local Sales Office, an authorized local Distributor or Grayhill.