

THIS DRAWING IS UNPUBLISHED.

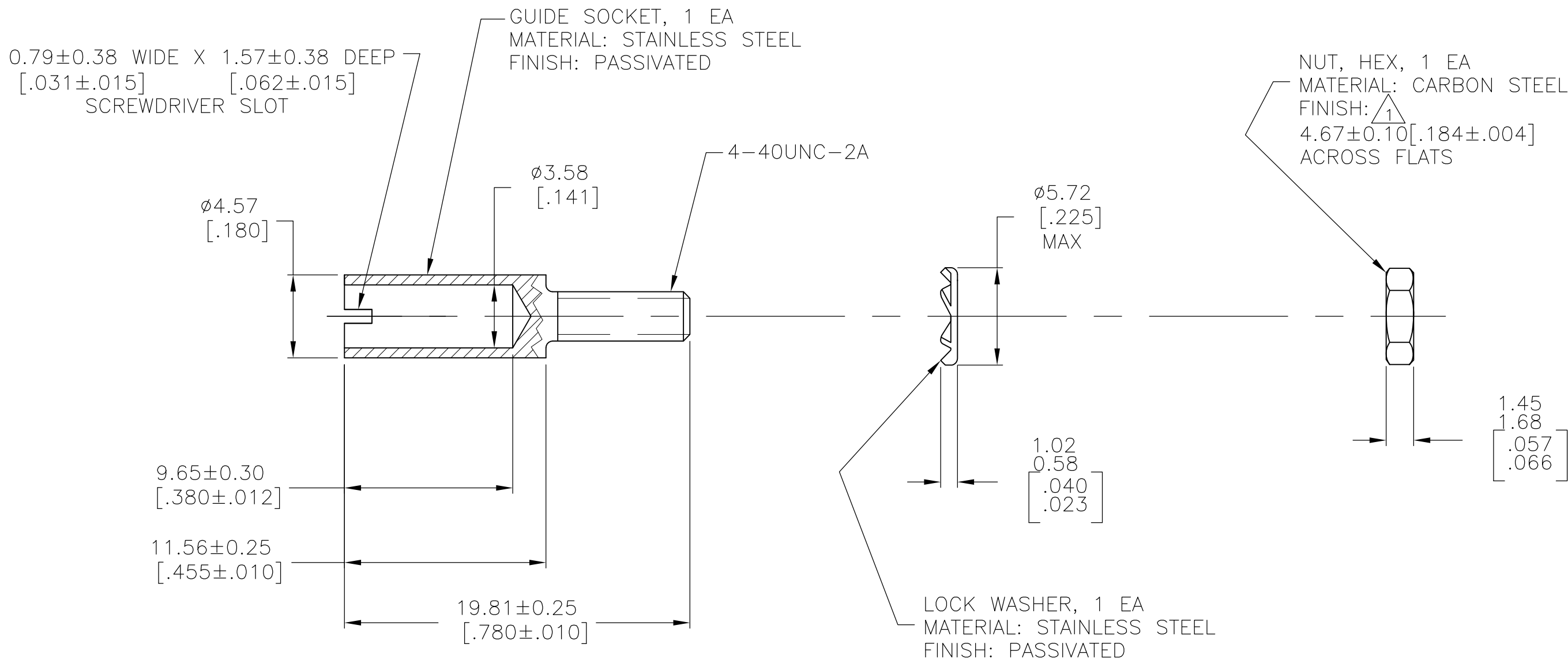
RELEASED FOR PUBLICATION

ALL RIGHTS RESERVED.

© COPYRIGHT - By -

REVISIONS

P	LTR	DESCRIPTION	DATE	DWN	APVD
	Y1	REVISED PER ECO-16-004000	08OCT2016	NK	MZ



<sup>3</sup> OBSOLETE	<del>1-200390-0</del>
	200390-9
SUPERSEDED BY 200390-9	<del>200390-2</del>
	PART NUMBER

- <sup>1</sup> ZINC PLATE.
- <sup>3</sup> SPECIAL PACKAGING - ONE UNASSEMBLED UNIT PER BAG

THIS DRAWING IS A CONTROLLED DOCUMENT.		DWN W.G.LENKER 1-20-95	<b>STE</b> TE Connectivity		
		CHK R.STONE 1-24-95			
DIMENSIONS: mm [INCHES]	TOLERANCES UNLESS OTHERWISE SPECIFIED:	APVD -	NAME		
	0 PLC ± -	PRODUCT SPEC	CENTER GUIDE SOCKET KIT, UNASSEMBLED, M SERIES		
	1 PLC ± -				
	2 PLC ± 0.13 [.005]	APPLICATION SPEC			
	3 PLC ± -				
	4 PLC ± -	WEIGHT	SIZE	CAGE CODE	DRAWING NO
MATERIAL SEE CALLOUT	FINISH SEE CALLOUT		A3	00779	C-200390
		CUSTOMER DRAWING	RESTRICTED TO	SCALE 4:1	SHEET 1 OF 1
				REV Y1	