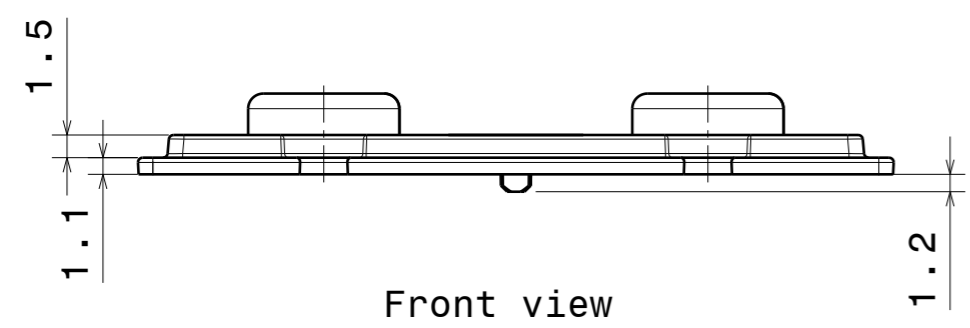
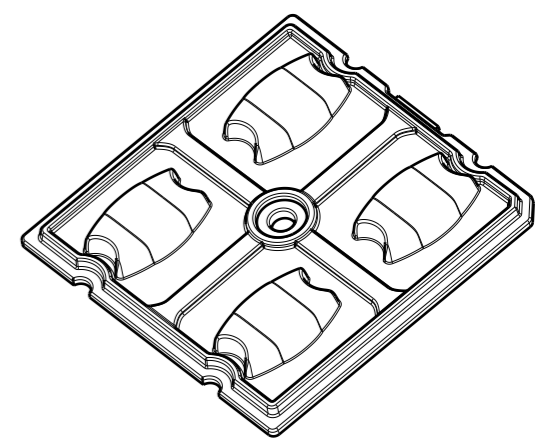


Isometric view  
Scale 1:1



This drawing applies to:  
C13936\_STRADA-2X2-B2-STP  
C13937\_STRADA-2X2-C-STP

|   |  |   |                         |
|---|--|---|-------------------------|
| Tolerances if not otherwise shown<br>According to DIN ISO 2768-1<br>Linear measures:<br>Up to 30mm class M, otherwise class C.<br>According to DIN ISO 2768-2<br>Form and position: class L |  | Ledil Oy<br>Salorankatu 10<br>FIN 24240 SALO<br>Finland |                         |
| THIRD ANGLE PROJECTION:   |  | <b>DRAWING TITLE</b><br>Datasheet_STRADA-2X2-STP        |                         |
| This drawing is the property of LEDiL Oy. It may not be reproduced, copied or communicated without a written agreement with LEDiL Oy."  |  | <b>SIZE</b><br>A3                                       | <b>PART NUMBER</b><br>- |
|   |  | <b>SCALE</b> 2:1  | <b>WEIGHT</b> (g)       |
|   |  | <b>SHEET</b> 1/1  |                         |