

8

7

6

5

4

3

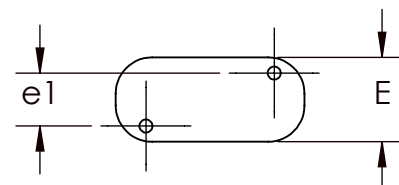
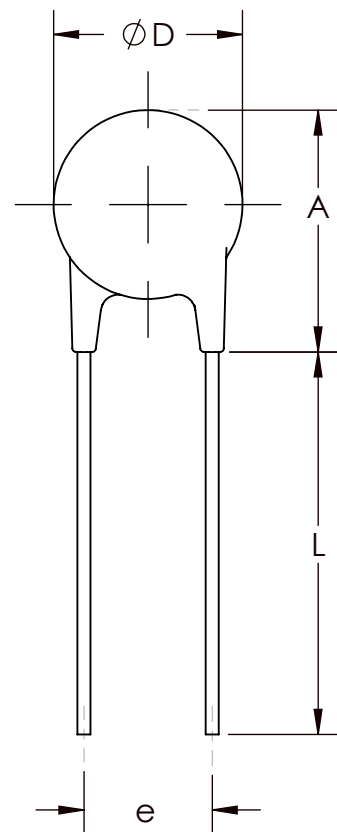
2

1

VICOR CONFIDENTIAL

THIS DOCUMENT AND THE DATA DISCLOSED HEREIN OR HEREWITH IS NOT TO BE REPRODUCED, USED OR DISCLOSED IN WHOLE OR IN PART TO ANYONE WITHOUT THE PERMISSION OF VICOR CORP.


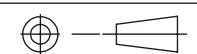
REV.	DESCRIPTION	DATE	APPROVED
1	RELEASED PER E064407	GCK	07/20/06
2	REVISED PER E060922	REJH	08/07/06
3	REVISED PER E101188	KUK	09/24/10
4	REVISED PER E110999	REJH	10/04/11
5	REVISED PER E130276a	CES	2/15/13



DIMENSIONS (MAX)  
MM / (INCHES)

DASH NO.	A	φ D	e	e1	E	φ b	L (MIN.)
-056	16 (.630)	12.5 (.492)	8.5 (.334)	3 (.118)	5 (.197)	0.86 (.034)	25.4 (1.00)
-068	16 (.630)	12.5 (.492)	8.5 (.334)	3.5 (.138)	5.6 (.220)	0.86 (.034)	25.4 (1.00)
-120	16 (.630)	12.5 (.492)	8.5 (.334)	3 (.118)	5 (.197)	0.86 (.034)	25.4 (1.00)
-200	14.5 (.571)	11.5 (.453)	7.5`1.0 (.334`.039)	1.9`1.0 (.075`.039)	4.8 (.189)	0.8 (.031)	20 (.787)
-220	14.5 (.571)	11.5 (.453)	7.5`1.0 (.334`.039)	2.0`1.0 (.079`.039)	4.9 (.193)	0.8 (.031)	20 (.787)
-275	14.5 (.571)	11.5 (.453)	7.5`1.0 (.334`.039)	3.1`1.0 (.122`.039)	6 (.236)	0.8 (.031)	20 (.787)



DRAWN BY P.E.IENI	DATE 10/04/2011	 <b>VICOR</b>		SWD
UNLESS OTHERWISE SPECIFIED DIMENSIONS ARE MM / (INCH)  TOLERANCES ARE: DECIMALS      ANGLES X.XX [X.X] = ±0.25 [0.01]      ±1° X.XXX [X.XX] = ±0.127 [0.005]		<b>VAR MOV XXV 10MM LEADED</b>		
		SIZE <b>B</b>	CAGE CODE <b>67131</b>	DWG NO <b>30234-XXX</b>
THIRD ANGLE PROJECTION  DO NOT SCALE DRAWING		SCALE 2:1	SHEET 1 OF 2	

NOTES:  
1. RoHS COMPLIANT, LEAD FREE PER CST-0001 LATEST REVISION.

8

7

6

5

4

3

2

1

8

7

6

5

4

3

2

1

VICOR CONFIDENTIAL

THIS DOCUMENT AND THE DATA DISCLOSED HEREIN OR HEREWITH IS NOT TO BE REPRODUCED, USED OR DISCLOSED IN WHOLE OR IN PART TO ANYONE WITHOUT THE PERMISSION OF VICOR CORP.

REVISIONS

REV	DESCRIPTION	DATE	APPROVED
	SEE SHEET 1		

ABSOLUTE MAXIMUM RATINGS:

Operating Ambient Temperature range (T)..... -40 TO +85°C  
 Storage Temperature Range (T)..... -40 TO +125°C  
 Temperature Coefficient (xV) of Clamping Voltage (VC) at Specified Test Current..... <0.01%/°C  
 Hi-Pot Encapsulation (Isolation Voltage Capability)..... 2500 V  
 (Dielectric must withstand indicated DC voltage for one minute per MIL-STD-202 Method 301)  
 Insulation Resistance..... 1000 MΩ


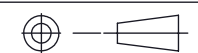
MAXIMUM RATING @ Ta = 85° C

Parameter	Symbol	Test Condition	OPTIONS						Units
			-056	-068	-120	-200	-220	-275	
Continuous AC Voltage	V <sub>M(AC)RMS</sub>		35	40	75	130	140	275	V
Continuous DC Voltage	V <sub>M(DC)</sub>		45	56	102	170	180	350	V
Transient Single Pulse Energy	W <sub>TM</sub>	10 x 1000 μs current wave (1)	5.5	6.5	12	35	39	80	J
Transient Peak Pulse Current	I <sub>M</sub>	8 x 20μ s current wave	500	500	2500	2500	2500	2500	A

(1) Average power dissipation of transients not to exceed 0.4W

ELECTRICAL SPECIFICATIONS @ Ta = 25° C

Parameter	Symbol	Test Condition	OPTIONS																		Units
			30234-056			30234-068			30234-120			30234-200			30234-220			30234-275			
			Min	Typ	Max	Min	Typ	Max	Min	Typ	Max	Min	Typ	Max	Min	Typ	Max	Min	Typ	Max	
Varistor Voltage	V <sub>NOM</sub>	1mA DC	50		62	61		75	108		132	185		225	198		242	387		473	V
Clamping Voltage	V <sub>C</sub>	8 x 20 μs current wave			110			135			200			340			360			710	V
Peak Current at V <sub>C</sub>	I <sub>PK</sub>				5			5			25			25			25			25	A
Capacitance	C	f = 1MHz		1800			1500			750				430			410			270	pF

DRAWN BY	DATE	 <b>VICOR</b>	SWD
P.E.IENI	10/04/2011		
UNLESS OTHERWISE SPECIFIED DIMENSIONS ARE MM (INCH)		<b>VAR MOV XXV 10MM LEADED</b>	
TOLERANCES ARE: DECIMALS                      ANGLES X.XX [X.X] = ±0.25 [0.01]    ±1° X.XXX [X.XX] = ±0.127 [0.005]		SIZE	REV
THIRD ANGLE PROJECTION 		<b>B</b>	<b>5</b>
DO NOT SCALE DRAWING		CAGE CODE	DWG NO
		<b>67131</b>	<b>30234-XXX</b>
		SCALE 2:1	SHEET 2 OF 2

8

7

6

5

4

3

2

1