

Customer Information Sheet

DRAWING No.: H2179-05

SHEET 2 OF 2

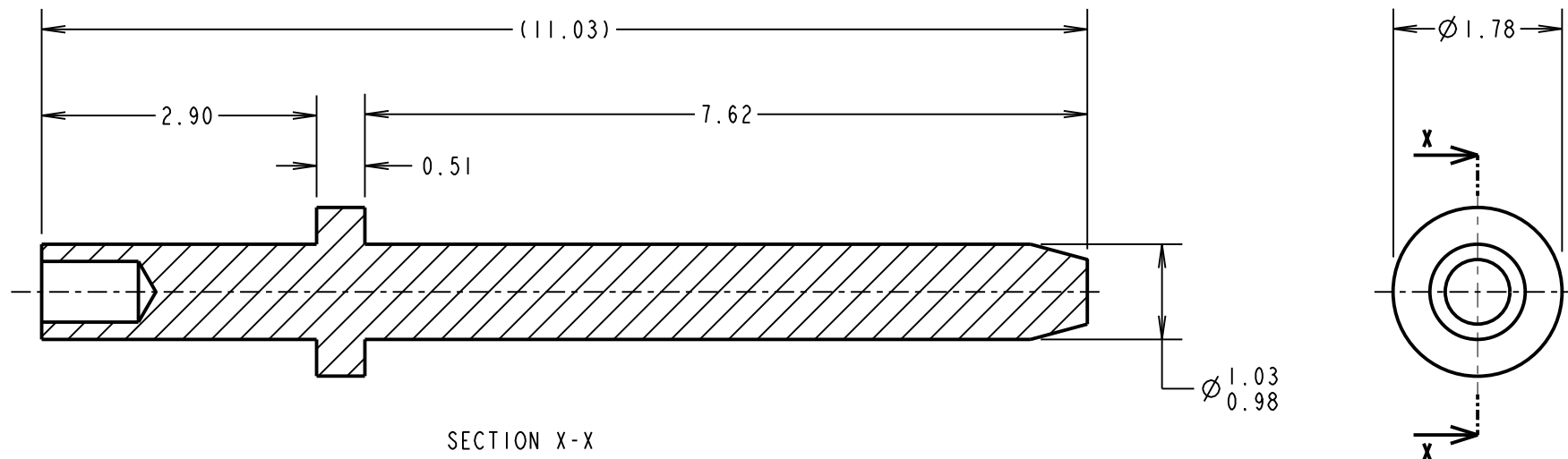
IF IN DOUBT - ASK

©

NOT TO SCALE

THIRD ANGLE PROJECTION

ALL DIMENSIONS IN mm



NOTES:

1. RECOMMENDED MOUNTING HOLE SIZE = \varnothing 1.04-1.14mm.
2. RECOMMENDED PANEL THICKNESS = 2.4mm.
3. PUNCH & DIE PART NUMBER = Z2179-00.

WJP	7	24.11.16	13064
NAME	ISS.	DATE	C/NOTE
APPROVED: W. J. PRESTON			
CHECKED: M. PLESTED			
DRAWN: N. HOLDER			
CUSTOMER REF.:			
ASSEMBLY DRG:			

HARWIN

www.harwin.com
technical@harwin.com

THIS DRAWING AND ANY INFORMATION OR DESCRIPTIVE MATTER SET OUT HEREON ARE CONFIDENTIAL AND COPYRIGHT PROPERTY OF THE HARWIN GROUP AND MUST NOT BE DISCLOSED, LOANED, COPIED OR USED FOR MANUFACTURING, TENDERING OR FOR ANY OTHER PURPOSE WITHOUT THEIR WRITTEN PERMISSION.

TOLERANCES
 X. = \pm 1mm
 X.X = \pm 0.50mm
 X.XX = \pm 0.10mm
 X.XXX = \pm 0.01mm
 ANGLES = \pm 5°
 UNLESS STATED

MATERIAL:
 BRASS CW614N TO
 BS EN 12164 (CuZn39Pb3)
 FINISH: 0.1 μ GOLD OVER NICKEL
 S/AREA: mm²

TITLE:
 TERMINAL PIN

DRAWING NUMBER:
 H2179-05

SHT
 2
 OF
 2