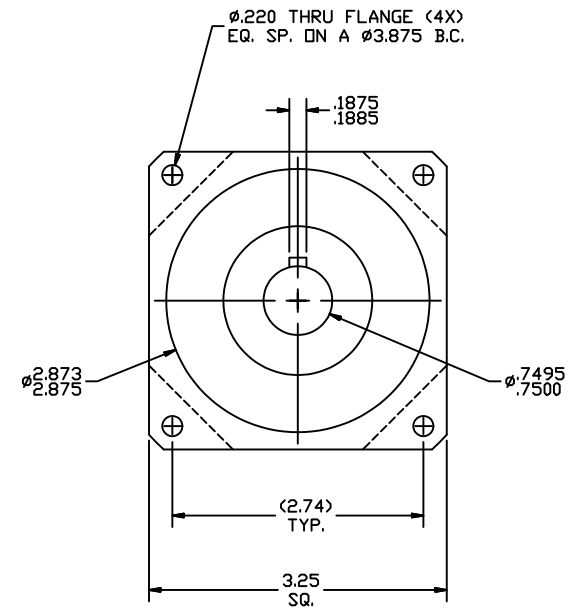
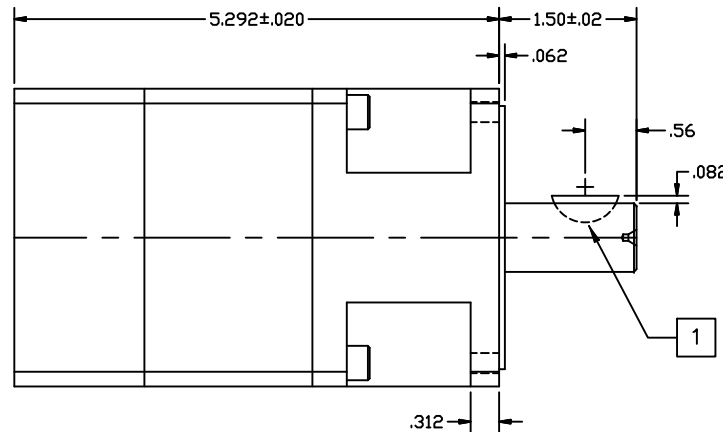
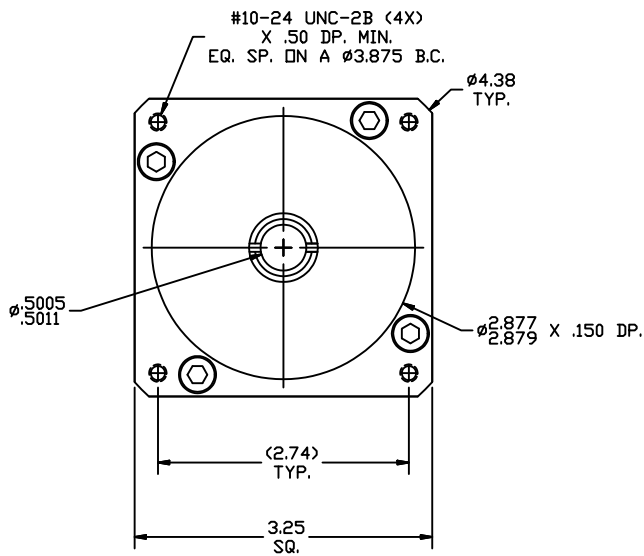


REVISIONS			
REV	DESCRIPTION	DATE	APPROVED
A	INITIAL RELEASE ECO 6709	2/22/13	J Kordik



NOTES: UNLESS OTHERWISE SPECIFIED

- 1 #606 WOODRUFF KEY.
2. 34PL100 RATIO- 100:1
3. FOR TECHNICAL DETAILS, CONTACT APPLIED MOTION PRODUCTS.

TOLERANCES DECIMALS: [MM] INCH X.XXX = ± .005 X.XX = ± [0.13] .010 X.X = ± [0.25] .020 ANGLES: MACH. = ± 5° CHAM. = ± 5°	THIRD ANGLE PROJECTION 		 APPLIED MOTION PRODUCTS, INC.	
	APPROVALS DRAWN <i>R. JONEZ</i> CHECKED	DATE 2/22/13		
	COMPUTER DATA BASE DRAWING	APPROVED	B DWG NO. 34PL100	REV A
	SCALE: FULL		SHEET 1 OF 1	