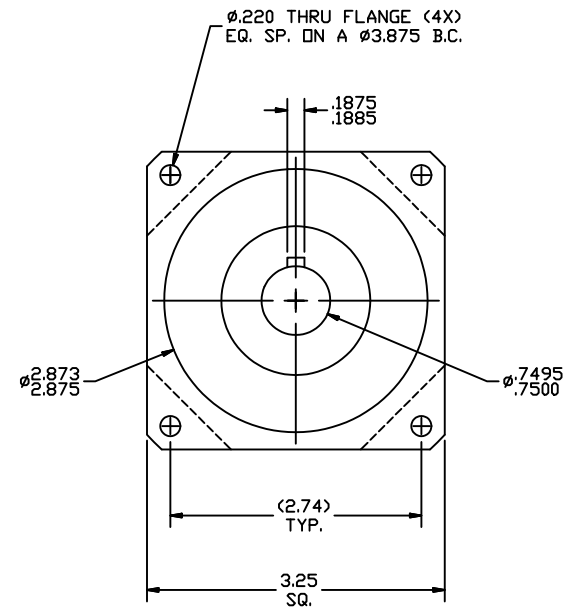
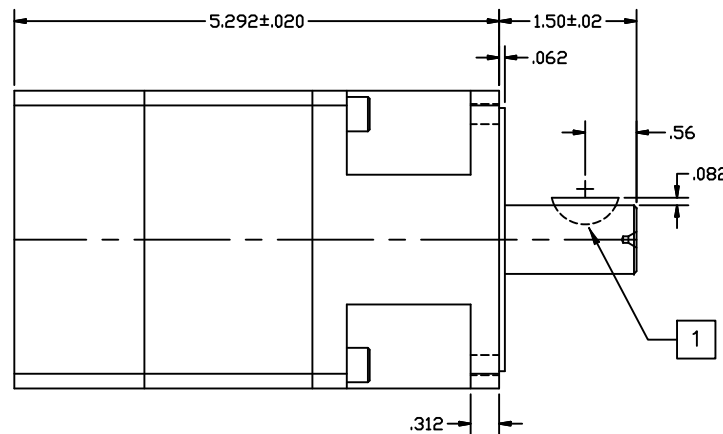
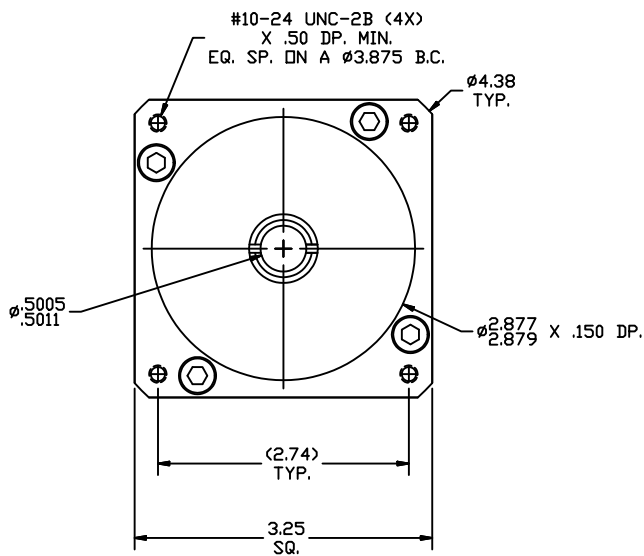


REVISIONS			
REV	DESCRIPTION	DATE	APPROVED
A	INITIAL RELEASE ECO 6709	2/22/13	J Kordik



NOTES: UNLESS OTHERWISE SPECIFIED

- 1 #606 WOODRUFF KEY.
2. 34PL100 RATIO- 100:1
3. FOR TECHNICAL DETAILS, CONTACT APPLIED MOTION PRODUCTS.

<b>TOLERANCES</b> DECIMALS: [MM] INCH X.XXX = ± .005 X.XX = ± [0.13] .010 X.X = ± [0.25] .020 ANGLES: MACH. = ± 5° CHAM. = ± 5°	<b>THIRD ANGLE PROJECTION</b> 		 APPLIED MOTION PRODUCTS, INC.	
	APPROVALS DRAWN <b>R. JONEZ</b> CHECKED		DATE <b>2/22/13</b>	
	COMPUTER DATA BASE DRAWING		<b>B</b> DWG NO. <b>34PL100</b>	
	APPROVED		REV <b>A</b>	
SCALE: FULL		SHEET 1 OF 1		