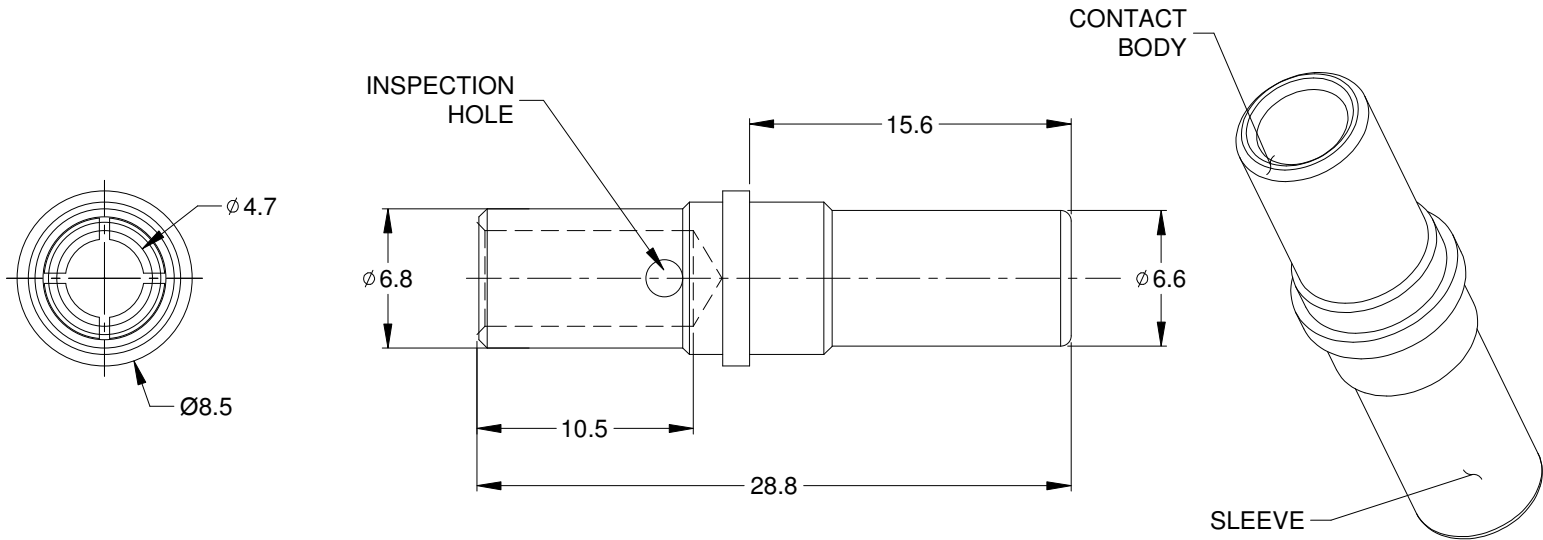


REVISIONS					
REV	ECO	DESCRIPTION	DATE	BY	APPR
01		PRELIMINARY DESIGN	03DEC15	ORION	TOMMY



NOTES: UNLESS OTHERWISE SPECIFIED

- MATERIAL: COPPER ALLOY; NICKEL PLATED
- CONTACT SIZE: 08
- SPECIFICATIONS:
  - CURRENT RATING: 60 AMP
  - CONTACT MILLIVOLT DROP: 60 MILLIVOLT DROP @ 80 AMP TEST CURRENT.
  - ROHS COMPLIANT
- RECOMMENDED WIRE RANGE: 08 - 10 AWG
- AVAILABLE HAND CRIMPER: WA23-DS
- ALL DIMENSIONS ARE FOR REFERENCE USE ONLY

SC000379				
PART NUMBER		DESCRIPTION		ITEM
QUANTITY	MATERIALS LIST			
UNLESS OTHERWISE SPECIFIED 1) All dimensions are in metric(mm). 2) Tolerances are as follows: 1 PL DEC ±0.30 2 PL DEC ±0.15 3 PL DEC ±0.08 Fractions ±1/64 Angles ±1° 3) Note reference =		SIGNATURES DRAWN: ORION LI CHECKED: ENGINEER: APPROVAL:		DATE 20JUN16
MATERIAL SPECIFICATIONS:		CUSTOMER:		<h1 style="text-align: center;">Amphenol</h1> <p style="text-align: center;">Sine Systems - www.amphenol-sine.com                  44724 Morley Drive                  Clinton Township, MI 48036</p> <p style="text-align: center;"><b>CONTACT, SLIT, SOLID, 3.6MM                  8-10 AWG, AHDP SERIES</b></p>
PROCESS SPECIFICATIONS:		THIS DRAWING IS SUPPLIED FOR INFORMATION ONLY. DESIGN FEATURES, SPECIFICATIONS AND PERFORMANCE DATA SHOWN HEREON ARE THE PROPERTY OF THE AMPHENOL CORPORATION. NO RIGHTS OF REPRODUCTION ARE IMPLIED. ALL DIMENSIONS ARE SUBJECT TO NORMAL MANUFACTURING VARIATIONS.		
NEXT ASS'Y:		SIZE: <b>A</b> TYPE: <b>C-</b> SCALE: NONE	DWG NO: <b>SC000379</b>	REVISION: <b>01</b>
			SHEET 1	OF 1