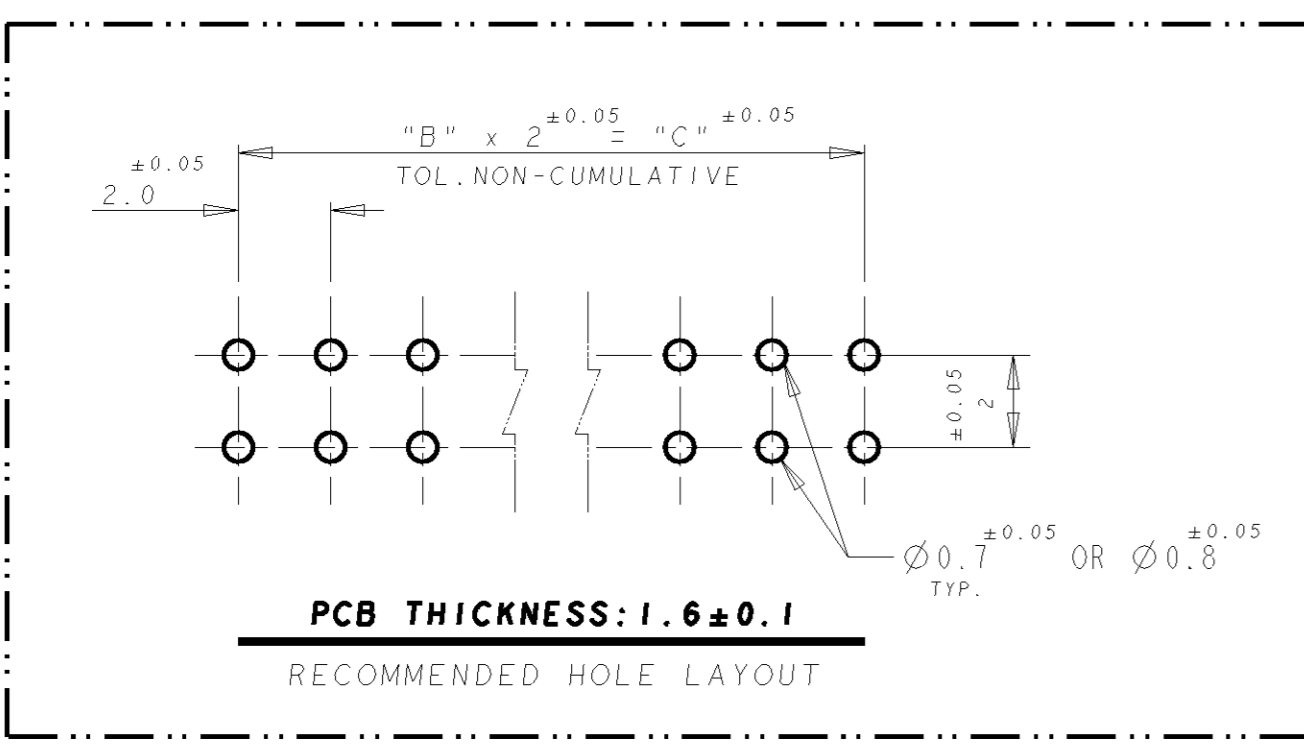
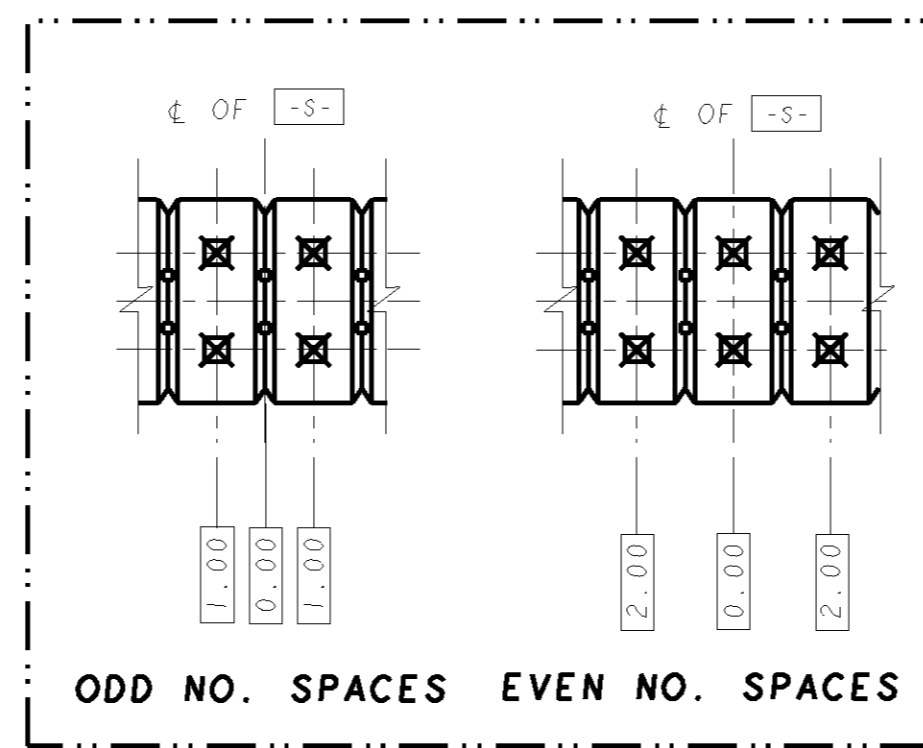
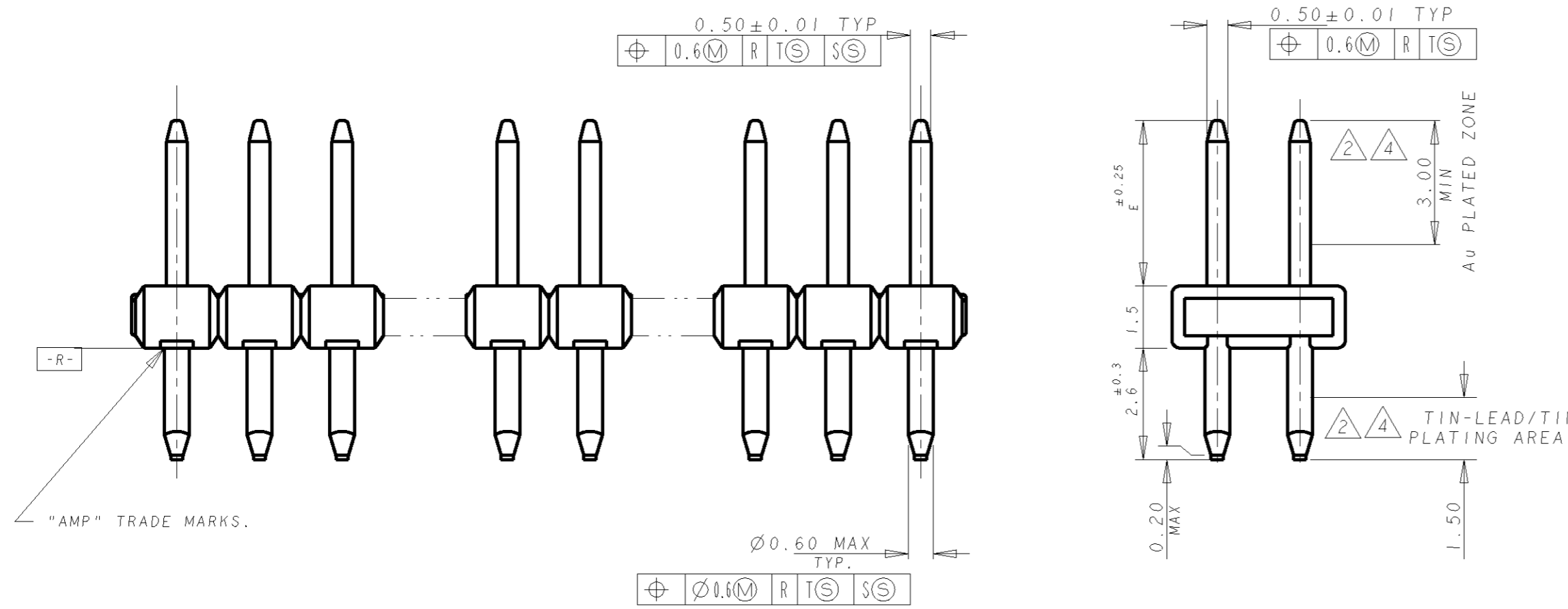
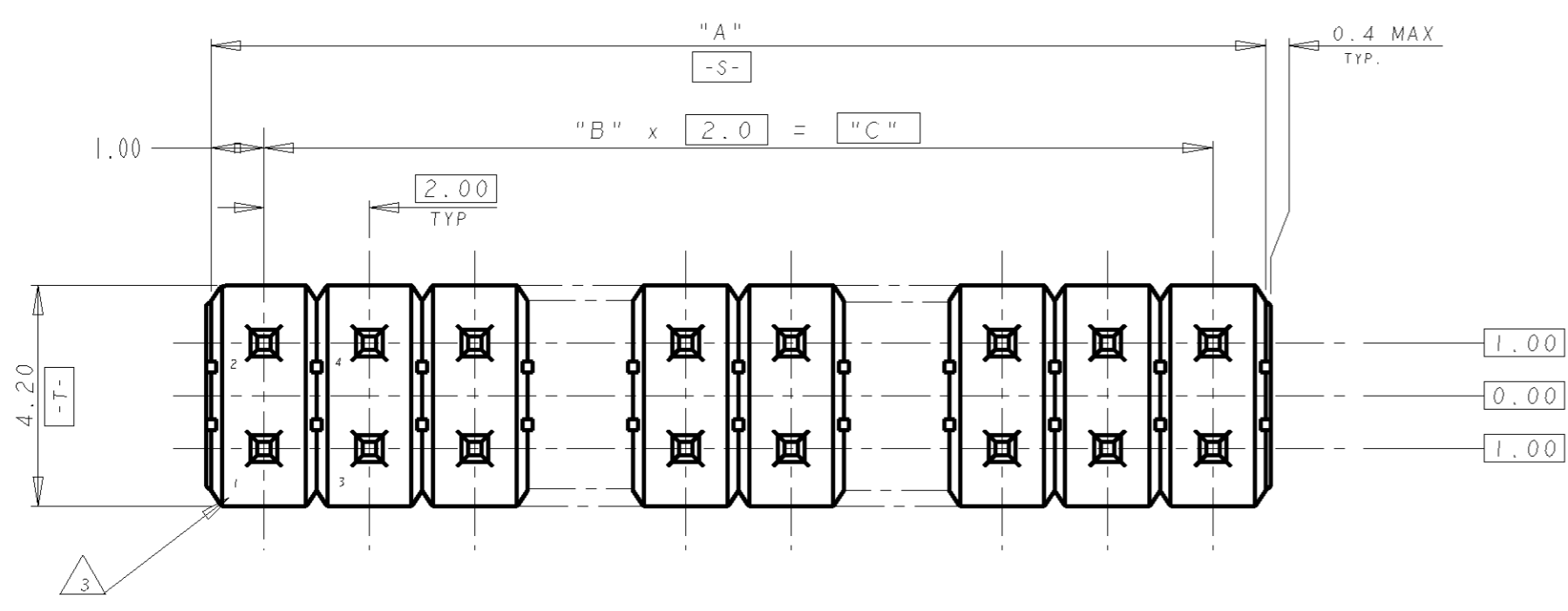


THIS DRAWING IS UNPUBLISHED. RELEASED FOR PUBLICATION  
 © COPYRIGHT BY ALL RIGHTS RESERVED.

LOC			DIST			REVISIONS				
P	LTR	DESCRIPTION	DATE	DWN	APVD					
P		REVISED PER ECO-11-005139	19MAR11	RK	HMR					

NOTES:  
 1 MATERIAL HOUSING: THERMOPLASTIC, UL 94V-0.  
 POST : BRASS  
 2 FINISH CONTACT AREA, "D" MIN Au  
 ON NICKEL 0.0013 MIN ALL OVER  
 POST TINE: 0.002 MIN MATTE TIN  
 3 POST POSITION NUMBERS FOR REFERENCE ONLY.



GENERAL TOLERANCE

0 <= 10	: ±0.2
10 <= 30	: ±0.25
30 <= 100	: ±0.3
ANGLES	: ±3°

NIL	4.00	0.0002	4	2	6	6	5-	-8
17	4.00	0.00076	24	12	26	26	5-	-7
9, 10	5.00	0.00076	24	12	26	26	5-	-6
1, 14		0.00076	14	7	16	16	5-	-5
1, 12		0.00076	10	5	12	12	5-	-4
NIL		0.00076	—	—	2	2	5-	-3
25		0.00076	48	24	50	50	5-	-2
25		0.0002	48	24	50	50	5-	-1
			48	24	50	50	4-	-8
			46	23	48	48	4-	-7
			44	22	46	46	4-	-6
			42	21	44	44	4-	-5
		0.00076	34	17	36	36	4-	-1
			48	24	50	50	3-	-9
			42	21	44	44	3-	-6
		0.0002	34	17	36	36	3-	-2
			28	14	30	30	2-	-9
			22	11	24	24	2-	-6
			20	10	22	22	2-	-5
			18	9	20	20	2-	-4
			16	8	18	18	2-	-3
			14	7	16	16	2-	-2
			12	6	14	14	2-	-1
			10	5	12	12	2-	-0
			8	4	10	10	1-	-9
			6	3	8	8	1-	-8
			4	2	6	6	1-	-7
		0.00076	2	1	4	4	1-	-6
			30	15	32	32	1-	-5
			28	14	30	30	1-	-4
			26	13	28	28	1-	-3
			22	11	24	24	1-	-1
			20	10	22	22	1-	-0
			18	9	20	20		-9
			16	8	18	18		-8
			14	7	16	16		-7
			12	6	14	14		-6
			10	5	12	12		-5
			8	4	10	10		-4
			6	3	8	8		-3
FINISH	PIN OMITTED	"E"	"D"	"C"	"B" SPACES	"A"	POS	P/N
								5176264-1

AMP 1471-9 REV 09MAY94

Pro/ENGINEER DRAWING

AMPMODU 2mm PITCH POST HDR, VERTICAL MOUNT TYPE

STE TE Connectivity

NAME: AMPMODU 2mm PITCH POST HDR, VERTICAL MOUNT TYPE

SIZE: A2 CAGE CODE: 00779 DRAWING NO: 5176264

SCALE: 8:1 SHEET: OF 1 REV: P

Customer Drawing

5176264