

**PLEASE CHECK WWW.MOLEX.COM FOR LATEST PART INFORMATION**

**Part Number:** **0751179018**  
**Status:** **Active**  
**Overview:** vhdm  
**Description:** 2.00mm (.079") Pitch VHDM® Board-to-Board Stacker Receptacle, Vertical, 8-Row, 400 Circuits, 0.76µm (30µ") Gold (Au)

**Documents:**

[Drawing \(PDF\)](#) [Product Specification PS-74031-999 \(PDF\)](#)  
[Packaging Specification \(PDF\)](#) [RoHS Certificate of Compliance \(PDF\)](#)

**General**

Product Family	Backplane Connectors
Series	75117
Application	Daughtercard
Application Tooling Documents	<a href="http://www.molex.com/pdm_docs/ats/TM-622010999.pdf">Tooling Manual</a>
Comments	Stack Height 18mm (.708"), Lead Free
Component Type	PCB Receptacle
Overview	<a href="#">vhdm</a>
Product Name	VHDM®
Style	N/A

**Physical**

Circuits (Loaded)	400
Circuits (maximum)	400
Color - Resin	Black
Durability (mating cycles max)	200
First Mate / Last Break	No
Guide to Mating Part	No
Keying to Mating Part	None
Material - Metal	Copper-Nickel-Silicon, High Performance Alloy (HPA)
Material - Resin	High Temperature Thermoplastic
Number of Columns	N/A
Number of Pairs	Open Pin Field
Number of Rows	8
Orientation	Vertical
PC Tail Length (in)	0.112 In
PC Tail Length (mm)	2.85 mm
PCB Locator	No
PCB Retention	None
PCB Thickness Recommended (in)	0.071 In
PCB Thickness Recommended (mm)	1.80 mm
Packaging Type	Tube
Pitch - Mating Interface (in)	0.079 In
Pitch - Mating Interface (mm)	2.00 mm
Pitch - Term. Interface (in)	0.079 In
Pitch - Term. Interface (mm)	2.00 mm
Polarized to PCB	Yes
Stackable	No
Surface Mount Compatible (SMC)	Yes
Temperature Range - Operating	105°C
Termination Interface: Style	Through Hole - Compliant Pin

**Electrical**

Current - Maximum per Contact	1A
Data Rate	3.125 Gbps

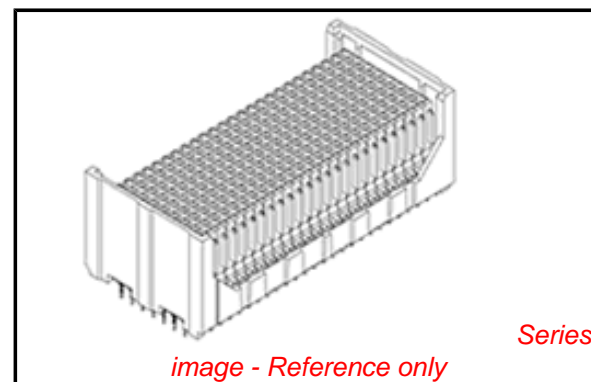


image - Reference only

**EU RoHS**  
**ELV and RoHS**  
**Compliant**  
**REACH SVHC**  
**Not Reviewed**  
**Halogen-Free**  
**Status**  
**Not Reviewed**

**China RoHS**



**Need more information on product environmental compliance?**

Email [productcompliance@molex.com](mailto:productcompliance@molex.com)  
 For a multiple part number RoHS Certificate of Compliance, [click here](#)

Please visit the [Contact Us](#) section for any non-product compliance questions.

**Search Parts in this Series**  
 75117Series

**Mates With**  
 74060 VHDM® Board-to-Board Backplane Header

Real Signals (per 25mm)	100
Shielded	No
Voltage - Maximum	120V AC (RMS)/DC

**Material Info**

**Reference - Drawing Numbers**

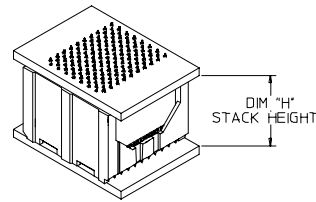
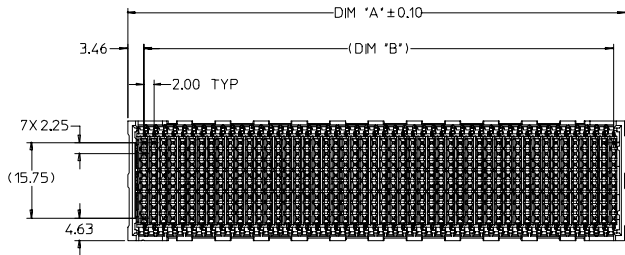
Product Specification	PS-74031-999
Sales Drawing	SD-75117-001

VHDM and Very High Density Metric are trademarks of Amphenol Corporation

This document was generated on 05/28/2010

**PLEASE CHECK [WWW.MOLEX.COM](http://WWW.MOLEX.COM) FOR LATEST PART INFORMATION**

20 | 19 | 18 | 17 | 16 | 15 | 14 | 13 | 12 | 11 | 75117 | 9 | 8 | 7 | 6 | 5 | 4 | 3 | 2 | 1

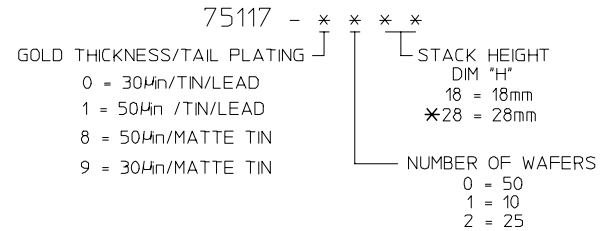


MATED VIEW  
10-WAFER CONNECTOR SHOWN

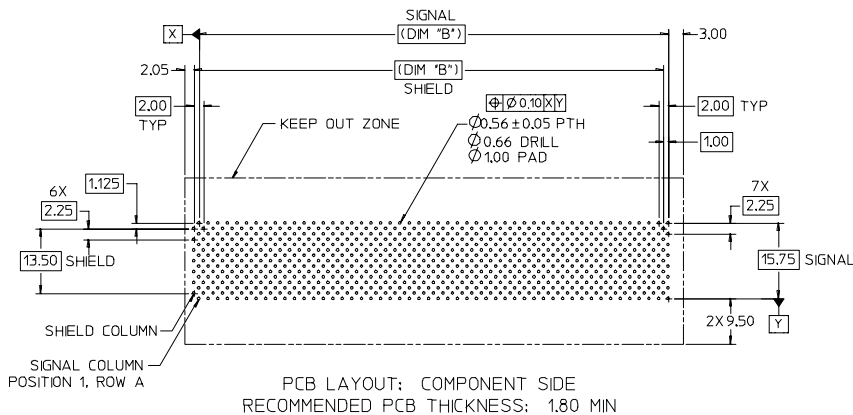
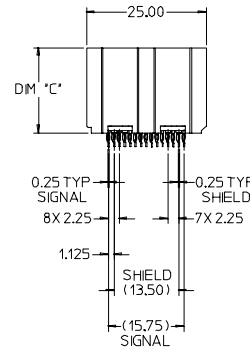
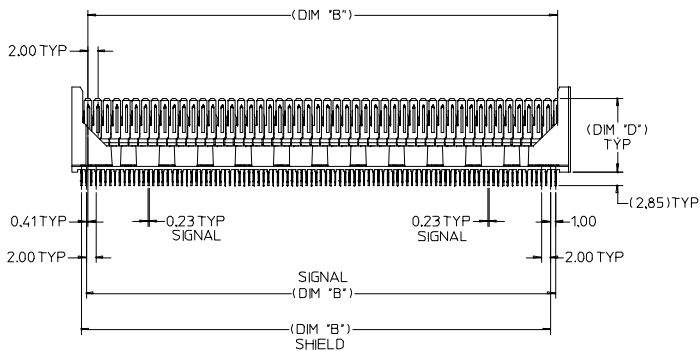
NOTES:

- MATERIALS:  
RETAINER HOUSING/WAFER PLASTIC - LIQUID CRYSTAL POLYMER (LCP),  
GLASS FILLED, UL94 V-0, COLOR: BLACK (30µin Au) OR GRAY (50µin Au)  
TERMINALS - HIGH PERFORMANCE COPPER ALLOY
- FINISHES:  
TERMINAL - SELECTIVE GOLD (Au) IN CONTACT AREA, 0.00076mm OR  
0.00127mm MIN THICKNESS, SELECTIVE TIN/LEAD (Sn/Pb) OR MATTE TIN (Sn)  
ON PCB TAILS,  
NICKEL (Ni) UNDERPLATE OVERALL
- PRODUCT SPECIFICATION: PS-74031-999
- PACKAGING SPECIFICATION: PK-70873-0750
- MATES WITH VHDM 8-ROW BACKPLANE HEADER SERIES NO. 74060
- THESE PARTS CONFORM TO MOLEX COSMETIC SPECIFICATION PS-45499-002  
CLASS B.

MATERIAL NUMBER ASSIGNMENT



\* CONSULT FACTORY FOR AVAILABILITY



PCB LAYOUT: COMPONENT SIDE  
RECOMMENDED PCB THICKNESS: 1.80 MM

\* CONSULT FACTORY FOR AVAILABILITY

MATERIAL NUMBER	NUMBER OF WAFERS	DIM 'A'	DIM 'B'	DIM 'C'	DIM 'D'	DIM 'H' STACK HEIGHT
*75117-228	25	54.05	48.00	27.74	25.36	28
*75117-x128	10	24.05	18.00			
*75117-x028	50	104.05	98.00			
75117-x218	25	54.05	48.00	17.74	15.36	18
75117-x118	10	24.05	18.00			
75117-x018	50	104.05	98.00			

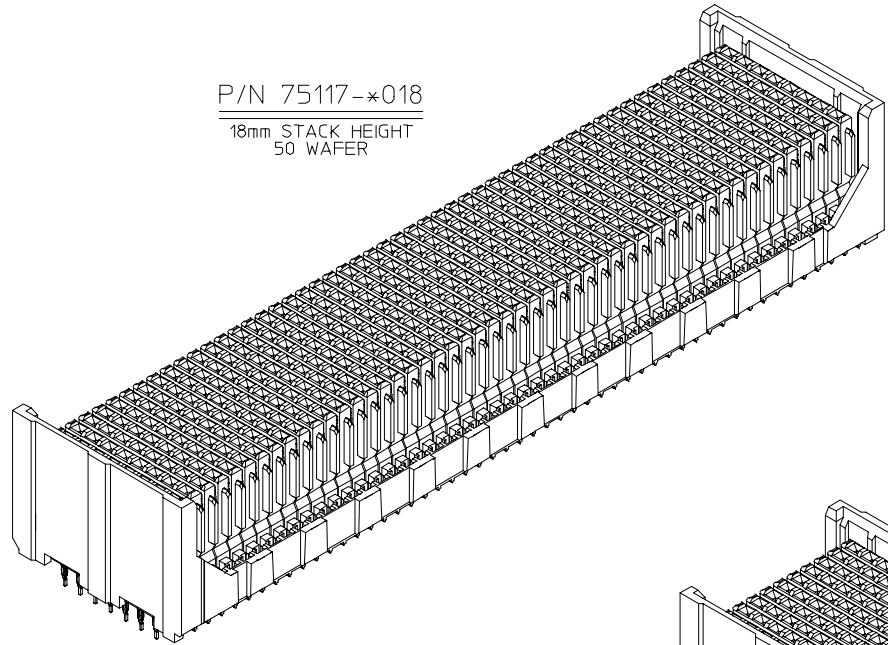
MODIFIED NOTES EC NO: UCP2008-0167 DRW:MSANDBER007/07/25 CHKD:JBINGHAM 2007/07/25 APPR:JBINGHAM 2007/07/25 REV: C2	QUALITY SYMBOLS	GENERAL TOLERANCES (UNLESS SPECIFIED)	SCALE 2:1	DESIGN UNITS METRIC	THIRD ANGLE PROJECTION	REVISE ON CAD ONLY
	4 PLACES ± ---	mm INCH	DIMENSION STYLE MM ONLY	TITLE	VHDM 8-ROW DAUGHTERCARD STACKER CONNECTOR SALES DRAWING	
	3 PLACES ± ---		DRAWN BY DATE	MOLEX INCORPORATED		
	2 PLACES ± 0.05		SREED 2003/02/27	SEE CHART SD-75117-001		
1 PLACE ± 0.10		CHECKED BY DATE	THIS DRAWING CONTAINS INFORMATION THAT IS PROPRIETARY TO MOLEX INCORPORATED AND SHOULD NOT BE USED WITHOUT WRITTEN PERMISSION			
		ANGULAR ± 2 °	APPROVED BY DATE	MATERIAL NO.	DOCUMENT NO.	SHEET NO.
		DRAFT WHERE APPLICABLE MUST REMAIN WITHIN DIMENSIONS	CBIXLER 2003/02/27			1 OF 2

19 | 18 | 17 | 16 | 15 | 14 | 13 | 12 | 11 | 10 | 9 | 8 | 7 | 6 | 5 | 4 | 3 | 2 | 1

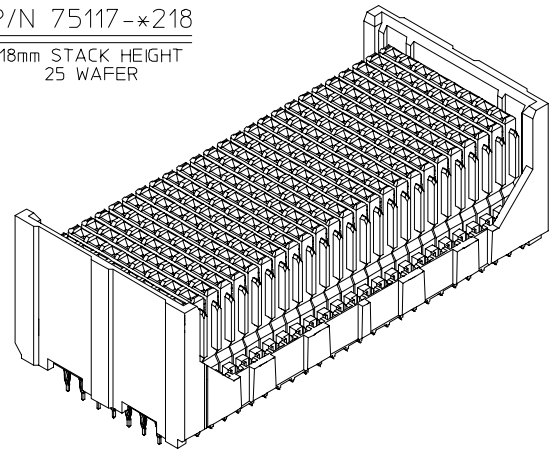
20 19 18 17 16 15 14 13 12 11 10 9 8 7 6 5 4 3 2 1

L  
K  
J  
I  
H  
G  
F  
E  
D  
C  
B  
A

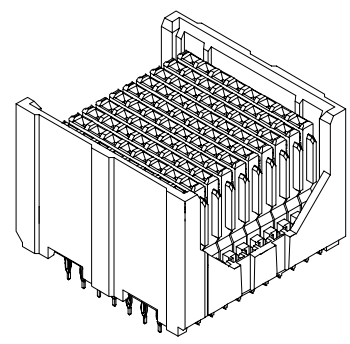
L  
K  
J  
I  
H  
G  
F  
E  
D  
C  
B  
A



P/N 75117-\*018  
18mm STACK HEIGHT  
50 WAFER



P/N 75117-\*218  
18mm STACK HEIGHT  
25 WAFER



P/N 75117-\*118  
18mm STACK HEIGHT  
10 WAFER

SEE SHEET 1 EC NO: UCP2008-067 DRW:MSANDER007/07/25 CHKD:JBINGHAM 2007/07/25 APPR:JBINGHAM 2007/07/25	QUALITY SYMBOLS	GENERAL TOLERANCES (UNLESS SPECIFIED)	SCALE 4:1	DESIGN UNITS METRIC	THIRD ANGLE PROJECTION	REVISE ON CAD ONLY
	▽.0	mm INCH	4 PLACES ± --- ± ---	DIMENSION STYLE MM ONLY	TITLE VHDM 8-ROW DAUGHTERCARD STACKER CONNECTOR SALES DRAWING	
	▽.05	mm INCH	3 PLACES ± --- ± ---	DRAWN BY SREED DATE 2003/02/27	MOLEX INCORPORATED	
	▽.10	mm INCH	2 PLACES ± 0.05 ± ---	CHECKED BY JBINGHAM DATE 2003/02/27	MATERIAL NO. SEE CHART	DOCUMENT NO. SD-75117-001
		1 PLACE ± 0.10 ± ---	APPROVED BY CBIXLER DATE 2003/02/27	THIS DRAWING CONTAINS INFORMATION THAT IS PROPRIETARY TO MOLEX INCORPORATED AND SHOULD NOT BE USED WITHOUT WRITTEN PERMISSION		
		ANGULAR ± 2 °				
		DRAFT WHERE APPLICABLE MUST REMAIN WITHIN DIMENSIONS				

19 18 17 16 15 14 13 12 11 10 9 8 7 6 5 4 3 2 1