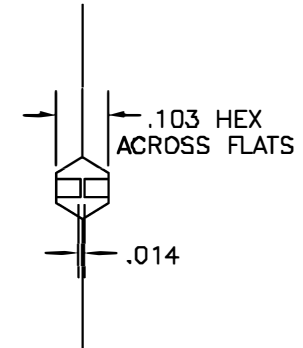
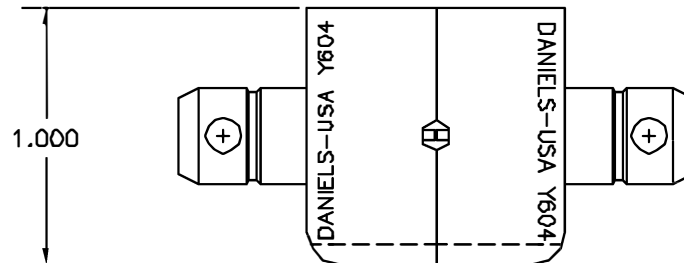
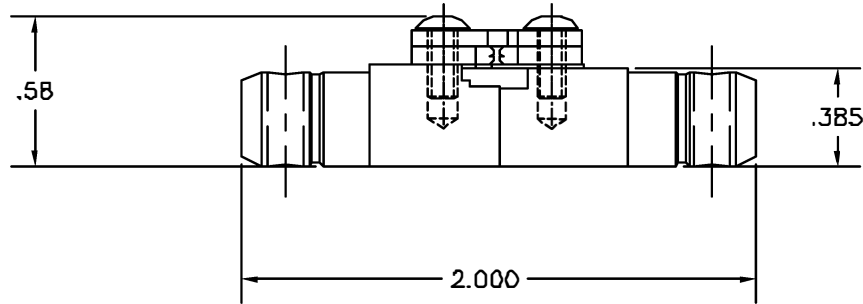


REVISIONS				
REV. SYM.	E.C.O. NUMBER	DESCRIPTION	BY DATE	APP'D DATE
1		ORIGINAL RELEASE	DVC 12/21/94	DE 12/94



GAGING DIM'S

UNCONTROLLED DOCUMENT  
WILL NOT BE UPDATED

RESTRICTED & CONFIDENTIAL		MATERIAL	ITEM	PART NO.	QTY.	DESCRIPTION/REMARKS	
CONFIDENTIAL PROPERTY OF DANIELS MANUFACTURING CORP. NOT TO BE DISCLOSED TO OTHERS, REPRODUCED OR USED FOR ANY OTHER PURPOSE, EXCEPT AS AUTHORIZED IN WRITING BY DANIELS MANUFACTURING. MUST BE RETURNED TO DANIELS MANUFACTURING CORP. ON COMPLETION OF ORDER OR OTHER PURPOSE FOR WHICH LENT.		HEAT TREAT	DRN.	DVC	DATE	<b>DMC</b> DANIELS MANUFACTURING CORP. ORLANDO, FLORIDA CAGE 11891	
			CHK'D.	DE	DATE		
			APP'D.		DATE		
			APP'D.		DATE		
DO NOT SCALE DRAWING		FINISH	NOTE:			DIE SET ENVELOPE DRAWING	
			THIS DRAWING IS AN OUTLINE DRAWING OF THE RESPECTIVE DMC PART NUMBER INDICATED. ACTUAL DMC PART NUMBER IS DRAWING NUMBER WITHOUT THE "-ENV" SUFFIX.				WHERE USED:
			SIZE	SCALE	CAD P/N		SHEET OF
			POSTING	DWG. NO.	Y604-ENV		1 1
						REV. 1	