

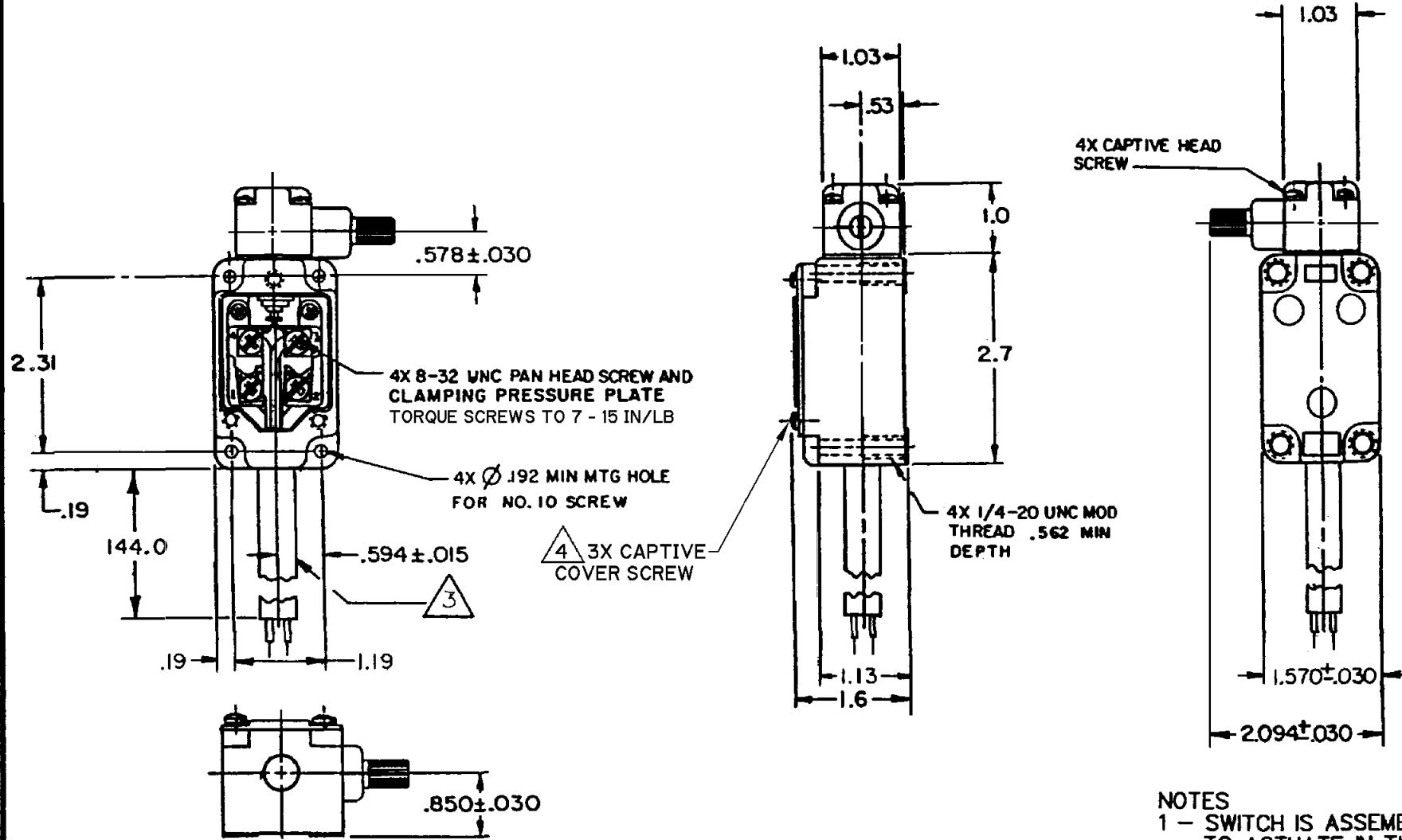
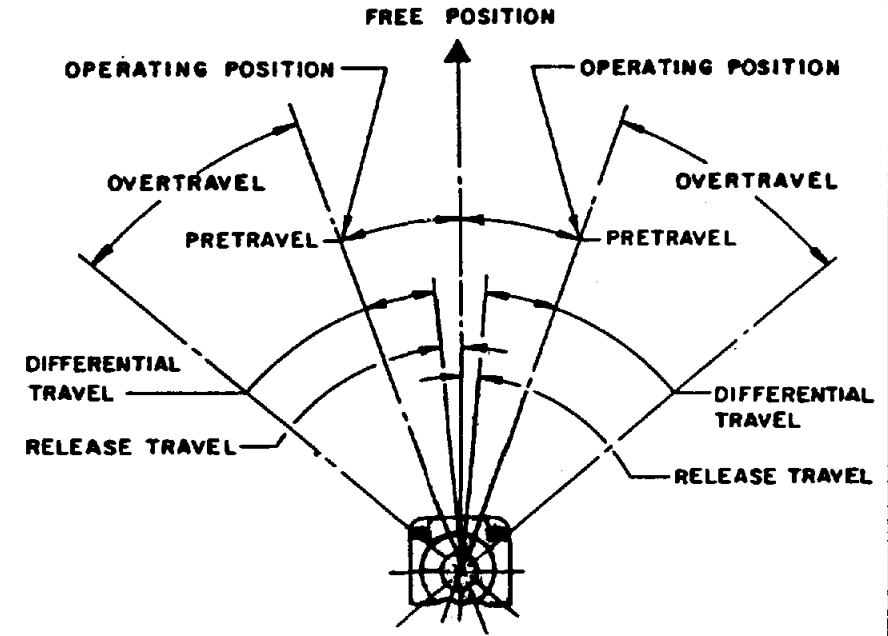
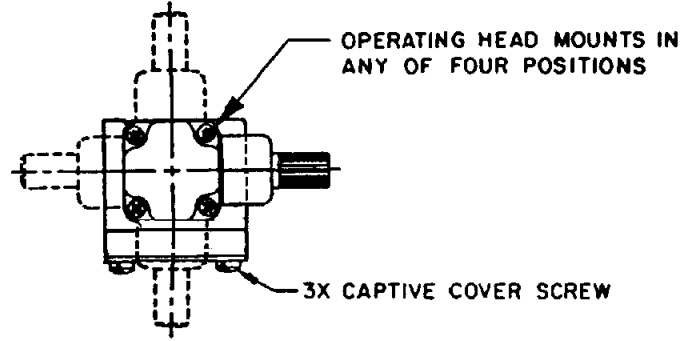
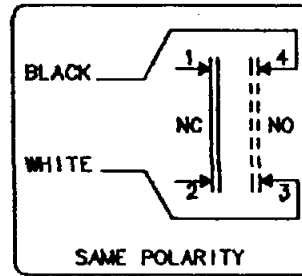
MICRO SWITCH
a Honeywell Division

FED. MFG. CODE 81828

SWITCH-ENCLOSED

CATALOG LISTING
1LS2-C12

CIRCUIT DIAGRAM



1LS2-C12

M

DRAWING NUMBER

26

ISSUE

X

X

REVISIONS

A C073483

21 OCT 92

B C077031

17 DEC 93

C C083126

6 JUN 96

D C084204

2 APR 97

E C095176

6 MAY 99

CHECK

ONEOK

12 JUN 92

DRAWN

LJF

REPLACES

RELEASE NO. PR-20116

CHECK

ONEOK

5 AV

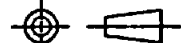
12 JUN 92

DRAWN

LJF

THIS DRAWING COVERS A PROPRIETARY ITEM AND IS THE PROPERTY OF MICRO SWITCH, A DIVISION OF HONEYWELL. THIS DRAWING IS NOT TO BE COPIED OR USED WITHOUT THE APPROVAL OF MICRO SWITCH

THIRD ANGLE PROJECTION



SCALE 1/2 : 1

DO NOT SCALE PRINT

UNLESS OTHERWISE SPECIFIED TOLERANCES ARE

ONE PLACE (.0) ± .030

TWO PLACE (.00) ± .015

THREE PLACE (.000) ± .005

ANGLES ±

WEIGHT

CHARACTERISTICS

OPERATING TORQUE	4 1/2 IN LB MAX
FULL OVERTRAVEL TORQUE	6 IN LB MAX
RELEASE TORQUE	3/4 IN LB MAX
PRETRAVEL	20° MAX
DIFFERENTIAL TRAVEL	12° MAX
OVERTRAVEL	30° MIN
RELEASE TRAVEL	5° MIN
SWITCH-BASIC REPLACEMENT	2 MM

ELECTRICAL DATA

CONTACT ARRANGEMENT	(SEE CIRCUIT DIAGRAM)
10 A-120, 240, OR 480 VAC, 1/3HP-120 VAC	
3/4HP-240 VAC; 0.8 A-115 VDC; 0.4 A-230 VDC	
0.1 A-550 VDC	
PILOT DUTY: 600 VAC MAX	

NOTES

- SWITCH IS ASSEMBLED FOR ACTUATION IN BOTH DIRECTIONS BUT MAY BE ADJUSTED TO ACTUATE IN THE CLOCKWISE DIRECTION ONLY OR THE COUNTERCLOCKWISE DIRECTION ONLY
 - TO CONVERT SWITCH FOR ACTUATION IN EITHER THE CLOCKWISE OR COUNTERCLOCKWISE DIRECTION ONLY, REMOVE ACTUATOR HEAD AND ROTATE THE NOTCHED PLUNGER 90° TO THE RIGHT FOR CLOCKWISE ACTUATION OR 90° TO THE LEFT FOR COUNTER CLOCKWISE ACTUATION
- SWITCH TO BE PROVIDED WITH 12 FT SEALED TYPE S O CABLE.
- 3 TIGHTEN COVER SCREWS TO 5 IN/LB MIN TORQUE

ANSI Y14.5M-1982 APPLIES