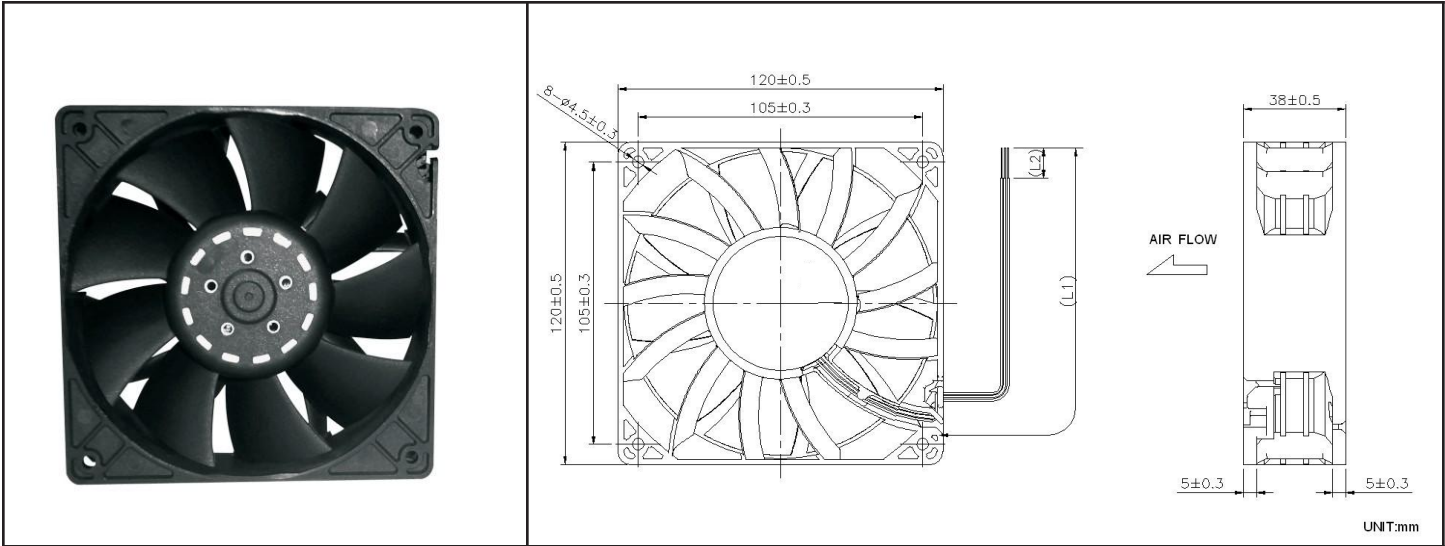


OD1238 XJ Series

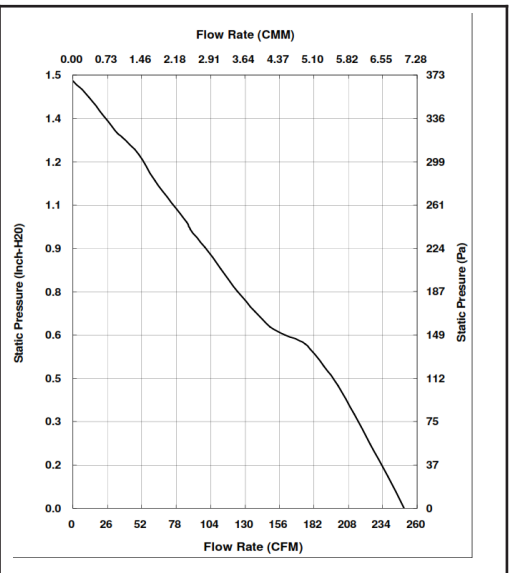


DC Fan 12V

120x38mm (4.7"x 1.5")

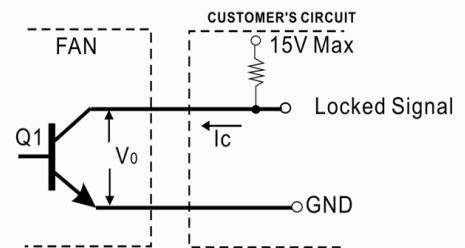


Frame & Impeller	PBT, UL94V-O plastic	Tachometer - Open Collector Weight: ~ 375 g * Connection UL1007, 24AWG, ~320mm Red (+) Black (-) White Tachometer m1
Connecion	3x Lead wires *	
Motor	Brushless DC, auto restart, polarity protected.	
Bearing System	Dual ball bearing	
Insulation Resistance	Min. 10M at 500VDC	
Dielectric Strength	1 minute at 500 VAC, max leakage < 500 MicroAmp	
Temperature Range	-10C ~ +70C	
Storage Temperature	-40C ~ +80C	
Life (L10)	70,000 hours (40C)	



Part Number	OD1238-12HBXJ01A
Nominal Voltage	12V DC
Voltage Range	7 ~ 13.2V DC
Rated Current	3.70 A
Rated Power	44.4 W
Rated Speed (RPM)	6000
Airflow (CFM)	250
Noise Level (dB)	69
Max. Static Pressure	1.48" H ₂ O

*Output type.....Open collector type
 *Electrical design suggestion:



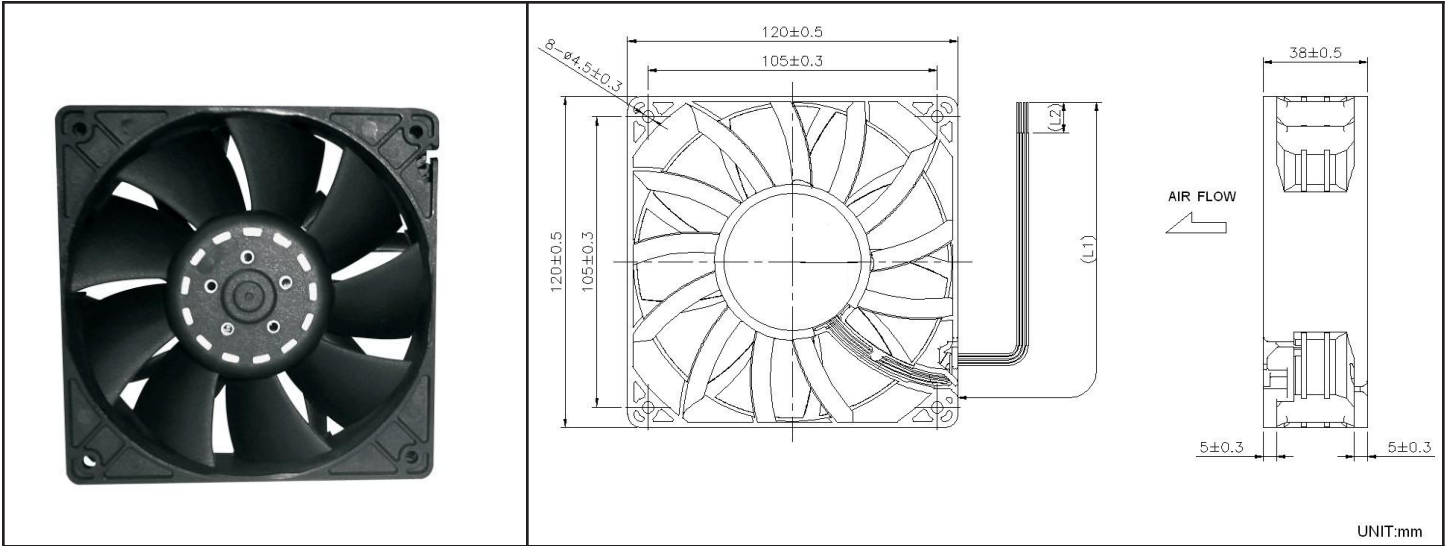
*Transistor Q1 at "ON" position
 Collector current.....I_c=10mA Max
 Saturation Voltage.....V_{OL}=1.0V Max
 (Between Collector and Emitter at I_c=10mA)
 *Transistor Q1 at "OFF" position
 Release Voltage.....V_{OH}=15V Max

OD1238 XJ Series



DC Fan 12V

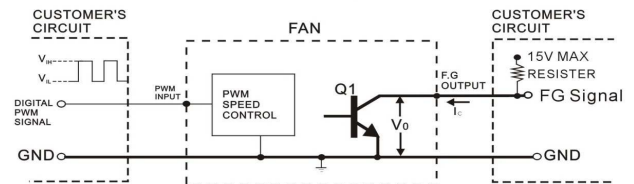
120x38mm (4.7"x 1.5")



Frame & Impeller	PBT, UL94V-O plastic	Tachometer - Open Collector PWM Weight: ~ 375 g * Connection UL1007, 24AWG, ~320mm Red (+) Black (-) White Tachometer Blue PWM	
Connecion	4x Lead wires *		
Motor	Brushless DC, auto restart, polarity protected.		
Bearing System	Dual ball bearing		
Insulation Resistance	Min. 10M at 500VDC		
Dielectric Strength	1 minute at 500 VAC, max leakage < 500 MicroAmp		
Temperature Range	-10C ~ +70C		
Storage Temperature	-40C ~ +80C	m1	
Life (L10)	70,000 hours (40C)		

Part Number	OD1238-12HBXJ10A
Nominal Voltage	12V DC
Voltage Range	7 ~ 13.2V DC
Rated Current	3.70 A
Rated Power	44.4 W
Rated Speed (RPM)	6000
Airflow (CFM)	250
Noise Level (dB)	69
Max. Static Pressure	1.48" H ₂ O

(External signal function design is decided by customer)



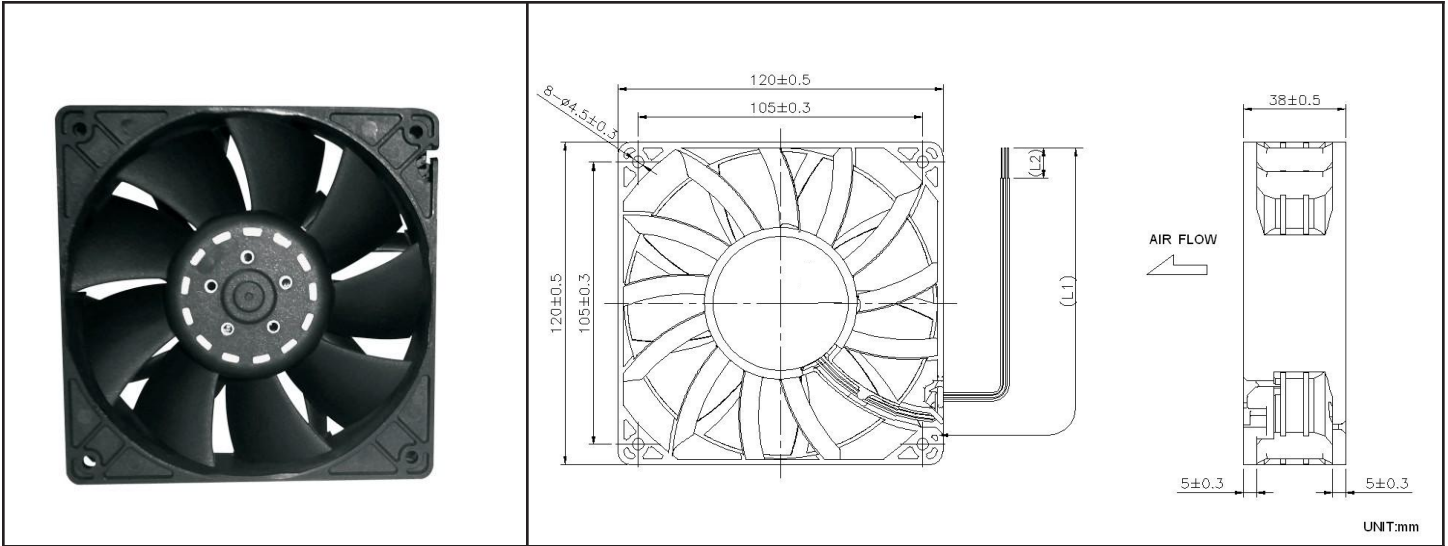
- *TRANSISTOR Q1 AT "ON" POSITION
COLLECTOR CURRENT----- I_c = 10mA MAX
SATURATION VOLTAGE----- V_{OL} = 1 V MAX
- *TRANSISTOR Q1 AT "OFF" POSITION
RELEASE VOLTAGE----- V_{OH} = 15 V MAX
- *DIGITAL PWM SPEED CONTROL POSITION
PWM INPUT VOLTAGE HIGH----- V_H = 3V~5.5 V
PWM INPUT VOLTAGE LOW----- V_{IL} = 0V~0.5V
- *PWM INPUT FREQUENCY----- FPWM: 18KHZ~30KHZ

OD1238 XJ Series

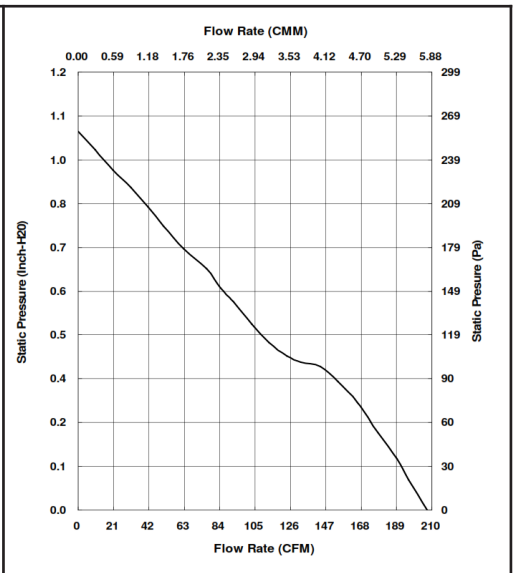


DC Fan 12V

120x38mm (4.7"x 1.5")

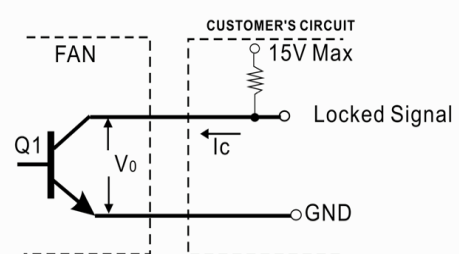


Frame & Impeller	PBT, UL94V-O plastic	Tachometer - Open Collector Weight: ~ 375 g * Connection UL1007, 24AWG, ~320mm Red (+) Black (-) White Tachometer m1
Connecion	3x Lead wires *	
Motor	Brushless DC, auto restart, polarity protected.	
Bearing System	Dual ball bearing	
Insulation Resistance	Min. 10M at 500VDC	
Dielectric Strength	1 minute at 500 VAC, max leakage < 500 MicroAmp	
Temperature Range	-10C ~ +70C	
Storage Temperature	-40C ~ +80C	
Life (L10)	70,000 hours (40C)	



Part Number	OD1238-12MBXJ01A
Nominal Voltage	12V DC
Voltage Range	7 ~ 13.2V DC
Rated Current	2.30 A
Rated Power	27.6 W
Rated Speed (RPM)	5000
Airflow (CFM)	207
Noise Level (dB)	63
Max. Static Pressure	1.04" H ₂ O

*Output type.....Open collector type
 *Electrical design suggestion:



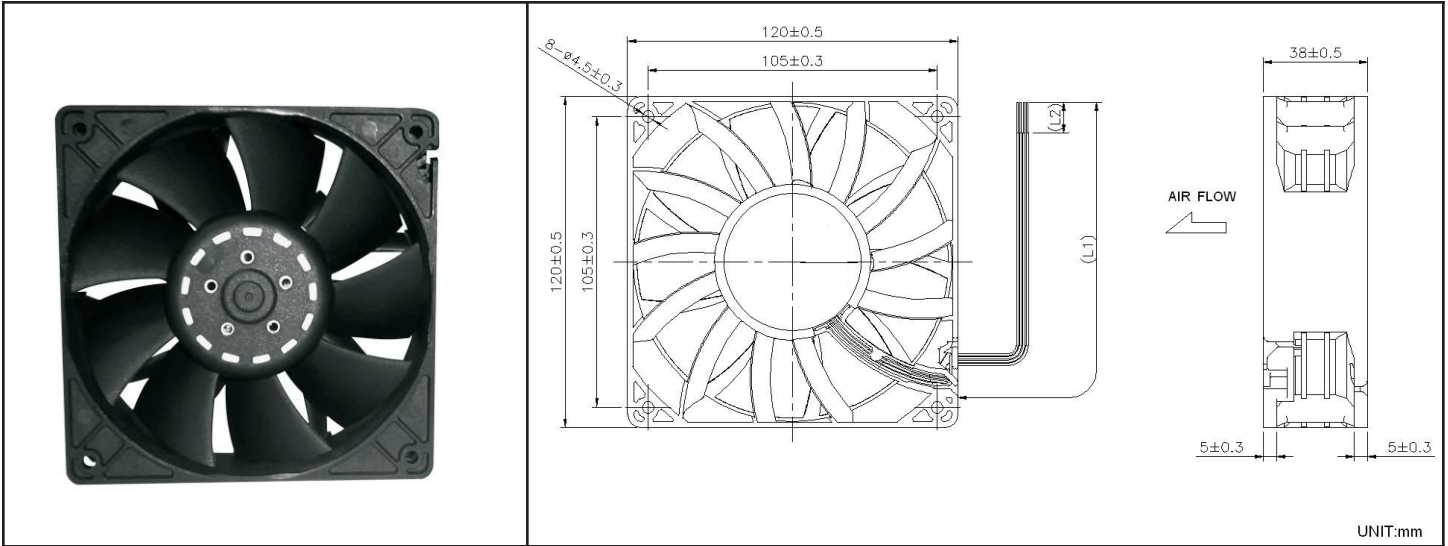
*Transistor Q1 at "ON" position
 Collector current.....I_c=10mA Max
 Saturation Voltage.....V_{OL}=1.0V Max
 (Between Collector and Emitter at I_c=10mA)
 *Transistor Q1 at "OFF" position
 Release Voltage.....V_{OH}=15V Max

OD1238 XJ Series



DC Fan 12V

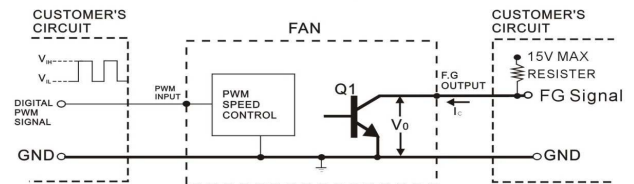
120x38mm (4.7"x 1.5")



Frame & Impeller	PBT, UL94V-O plastic	Tachometer - Open Collector PWM Weight: ~ 375 g * Connection UL1007, 24AWG, ~320mm Red (+) Black (-) White Tachometer Blue PWM m1	
Connecion	4x Lead wires *		
Motor	Brushless DC, auto restart, polarity protected.		
Bearing System	Dual ball bearing		
Insulation Resistance	Min. 10M at 500VDC		
Dielectric Strength	1 minute at 500 VAC, max leakage < 500 MicroAmp		
Temperature Range	-10C ~ +70C		
Storage Temperature	-40C ~ +80C		
Life (L10)	70,000 hours (40C)		

Part Number	OD1238-12MBXJ10A
Nominal Voltage	12V DC
Voltage Range	7 ~ 13.2V DC
Rated Current	2.30 A
Rated Power	27.6 W
Rated Speed (RPM)	5000
Airflow (CFM)	207
Noise Level (dB)	63
Max. Static Pressure	1.04" H ₂ O

(External signal function design is decided by customer)



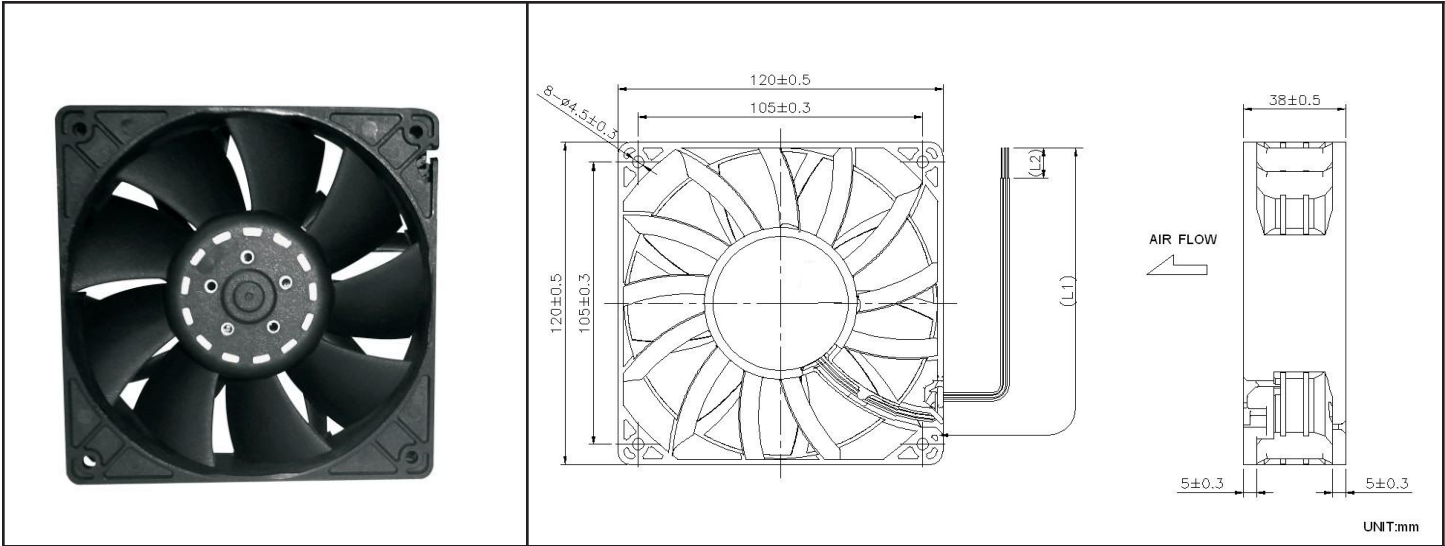
- *TRANSISTOR Q1 AT "ON" POSITION
COLLECTOR CURRENT----- I_c = 10mA MAX
SATURATION VOLTAGE----- V_{OL} = 1 V MAX
- *TRANSISTOR Q1 AT "OFF" POSITION
RELEASE VOLTAGE----- V_{OH} = 15 V MAX
- *DIGITAL PWM SPEED CONTROL POSITION
PWM INPUT VOLTAGE HIGH----- V_H = 3V~5.5 V
PWM INPUT VOLTAGE LOW----- V_{IL} = 0V~0.5V
- *PWM INPUT FREQUENCY----- FPWM: 18KHZ~30KHZ

OD1238-24HBXJ01A

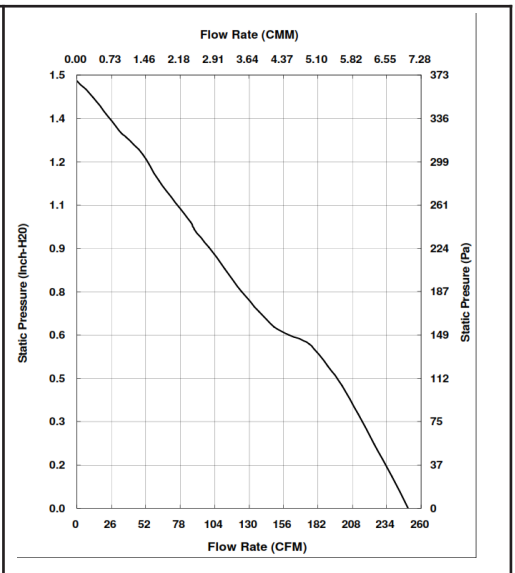


DC Fan 24V

120x38mm (4.7"x 1.5")

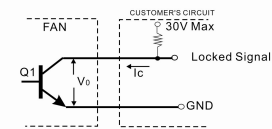


Frame & Impeller	PBT, UL94V-O plastic	Tachometer - Open Collector Weight: ~ 375 g * Connection UL1007, 24AWG, ~320mm Red (+) Black (-) White Tachometer m1
Connecion	3x Lead wires *	
Motor	Brushless DC, auto restart, polarity protected.	
Bearing System	Dual ball bearing	
Insulation Resistance	Min. 10M at 500VDC	
Dielectric Strength	1 minute at 500 VAC, max leakage < 500 MicroAmp	
Temperature Range	-10C ~ +70C	
Storage Temperature	-40C ~ +80C	
Life (L10)	70,000 hours (40C)	



Part Number	OD1238-24HBXJ01A
Nominal Voltage	24V DC
Voltage Range	17 ~ 26.4V DC
Nominal Current	1.75 A
Nominal Power	42 W
Rated Speed (RPM)	6000
Airflow (CFM)	250
Noise Level (dB)	69
Max. Static Pressure	1.48" H2O

*Output type.....Open collector type
 *Electrical design suggestion:
 (External signal function design is decided by customer)



*Transistor Q1 at "ON" position
 Collector current..... $I_c=10mA$ Max
 Saturation Voltage..... $V_{ce}=1.0V$ Max
 (Between Collector and Emitter at $I_c=10mA$)
 *Transistor Q1 at "OFF" position
 Release Voltage..... $V_{ce}=30V$ Max

