

6 5 4 3 2 1

E E

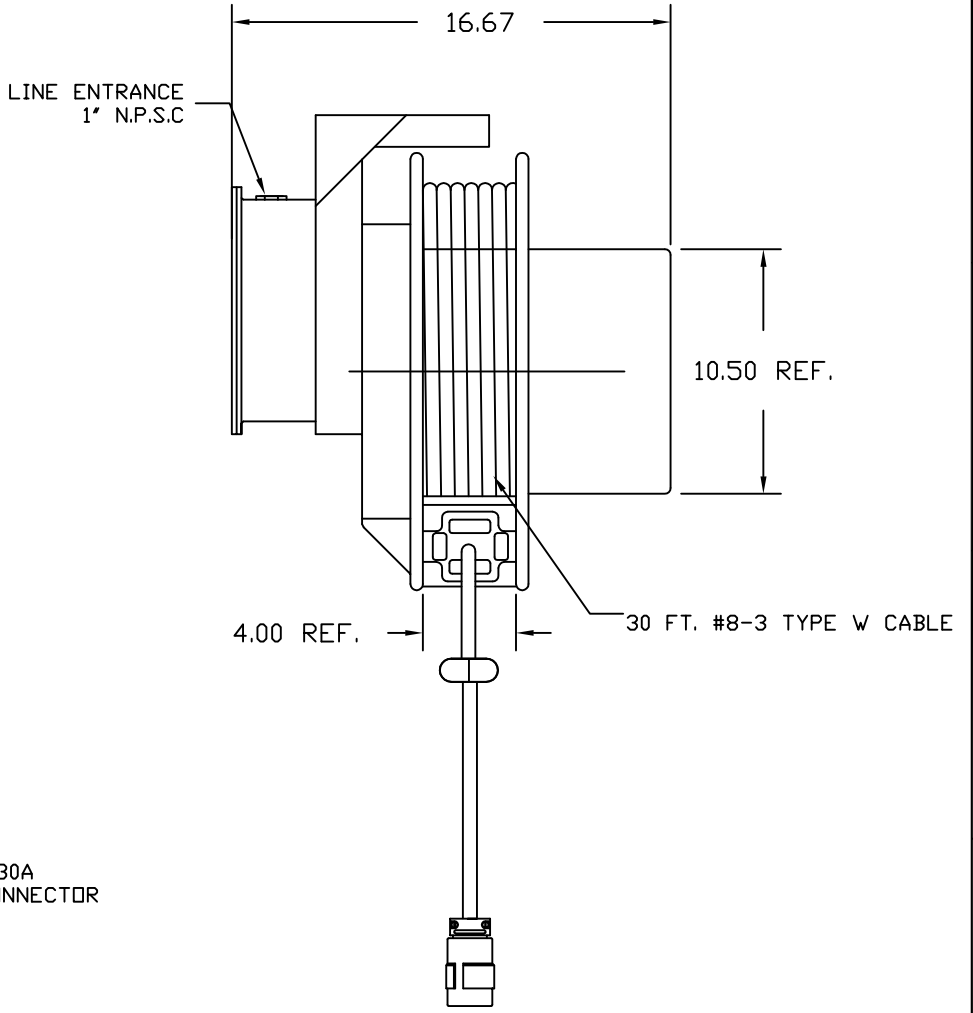
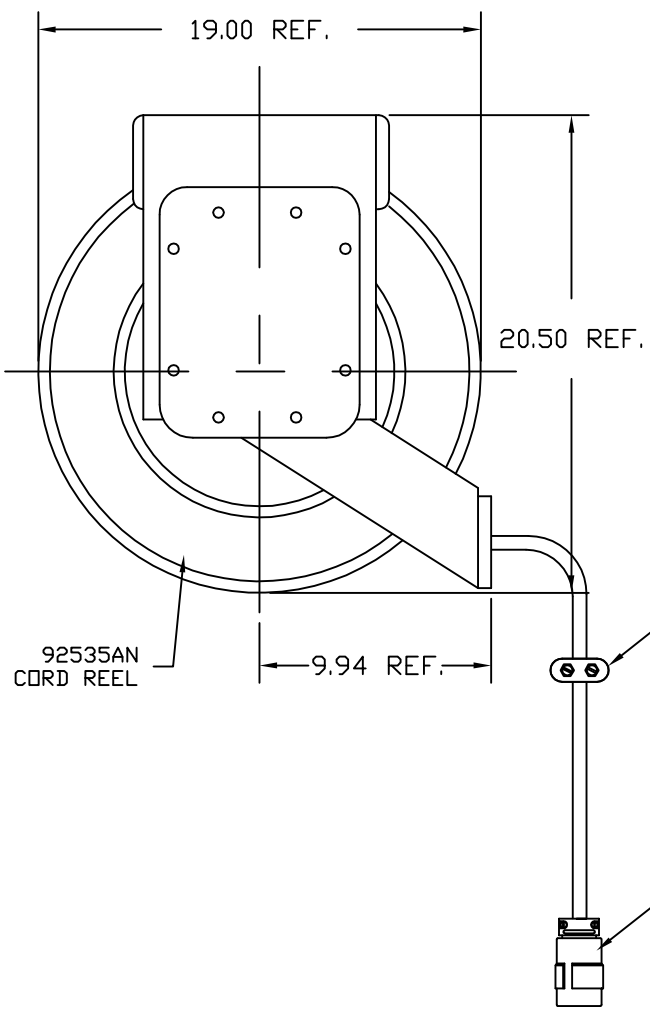
D D

C C

B B

A A

6 5 4 3 2 1



CUSTOMER DRAWING EC NO: WNA2008-0400 DRWN: TVICKERS 2008/07/01 CHKD: DC 2008/7/1 APPR: SZAFAR 2008/07/10	DESCRIPTION REV	QUALITY SYMBOLS ▽=0 ▽C=0	GENERAL TOLERANCES (UNLESS SPECIFIED)		DIMENSION STYLE ----		SCALE NTS	DESIGN UNITS INCH	THIRD ANGLE PROJECTION	
			mm INCH	DRAWN BY DATE TV 2008/7/1	TITLE 92535AN REEL W/ (9253) BALL STOP & (2947) CONNECTOR					
		4 PLACES ±---- ±---- 3 PLACES ±---- ±.020 2 PLACES ±---- ±.010 1 PLACE ±---- ±.005	CHECKED BY DATE DC 2008/7/1	MOLEX INCORPORATED						
		ANGULAR ±.5° DRAFT WHERE APPLICABLE MUST REMAIN WITHIN DIMENSIONS	APPROVED BY DATE SZ 2008/7/1	MATERIAL NO. 1300840341	DOCUMENT NO. SD-130084-001	SHEET NO. 1 OF 1				
A	REV		SIZE A		THIS DRAWING CONTAINS INFORMATION THAT IS PROPRIETARY TO MOLEX INCORPORATED AND SHOULD NOT BE USED WITHOUT WRITTEN PERMISSION					