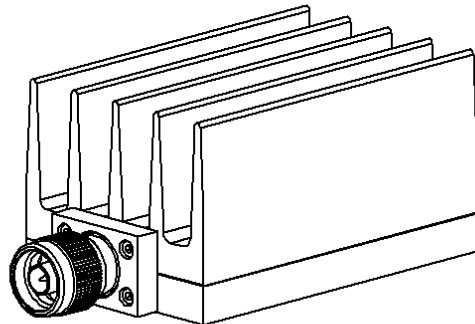
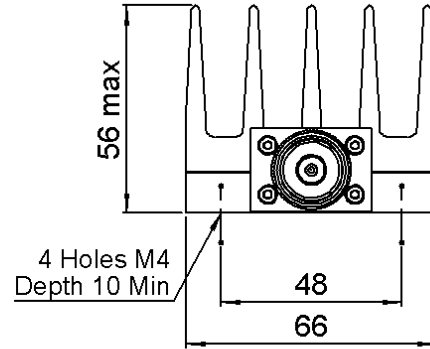
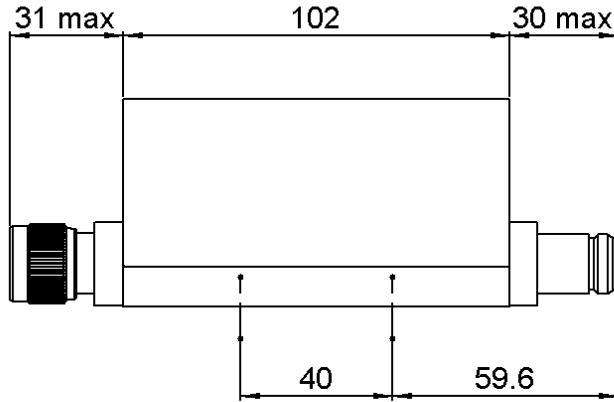
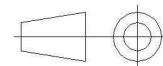


N ATTENUATOR
20 DB 2 GHZ 50/80W

R417.720.128
 Series : ATTENUATOR



All dimensions are in mm.



| COMPONENTS | MATERIALS | PLATING(μm) |
|-----------------------|------------------|--------------------------|
| BODY | STAINLESS STEEL | PASSIVATED |
| MALE CENTER CONTACT | BERYLLIUM COPPER | GOLD 2.5 OVER NICKEL 1 |
| FEMALE CENTER CONTACT | BERYLLIUM COPPER | GOLD 2.5 OVER NICKEL 1 |
| OUTER CONTACT | | |
| INSULATOR | PTFE | |
| GASKET | SILICONE RUBBER | |
| SUBSTRATE | ALUMINA | |
| RESISTOR | THICK FILM | |
| OTHERS PARTS | ALUMINIUM | BLACK PAINTING |

Issue : 0843 A

In the effort to improve our products, we reserve the right to make changes judged to be necessary.



N ATTENUATOR
20 DB 2 GHZ 50/80W

R417.720.128
Series : ATTENUATOR

ELECTRICAL CHARACTERISTICS

| | | |
|-----------------|--------|-------|
| Frequency (GHz) | DC - 1 | 1 - 2 |
| V.S.W.R (≤) | 1.10 | 1.25 |
| Deviation(±dB) | 1 | 1 |

| | | |
|---|--------|-----------------------|
| Operating Frequency Range | DC - 2 | GHz |
| Impedance | 50 | Ω |
| Nominal Attenuation | 20 | dB |
| Peak power at 25°C (1μs, 1%) | 5000 | W |
| Average power at 25°C | 50 | W (Free Air Cooled) |
| | 80 | W (Conduction Cooled) |
| For conduction cooling, a plate 1000 cm ² x 3 mm(156 sq.in*1/8) min. is required | | |

MECHANICAL CHARACTERISTICS

| | | | |
|------------|------------|-------------|-------------|
| Connectors | N | Male Female | MIL-C 39012 |
| Weight | 621,5500 g | | |

ENVIRONMENTAL CHARACTERISTICS

| | |
|-----------------------------|--------------|
| Operating temperature range | -55 /+125 °C |
| Storage temperature range | -55 /+125 °C |



SPECIFICATION

OTHER CHARACTERISTICS

Issue : 0843 A

In the effort to improve our products, we reserve the right to make changes judged to be necessary.

