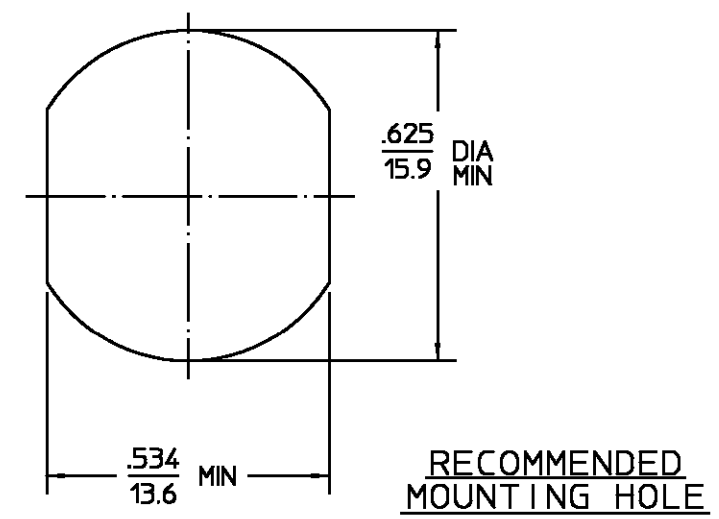


REVISIONS			
REV	DESCRIPTION	DATE	APPROVED
B1	REVISED PER ECO-11-005294	14APR11	HMR



ELECTRICAL	MECHANICAL	ENVIRONMENTAL
Nominal Impedance (Ohms) <u>50</u>	Interface Dimensions MIL-STD-348A, Fig. 310.2 (OSM) & 304.2 (N)	Temperature Rating <u>-65°C to +125°C</u>
Frequency Range (GHz) DC to <u>15</u>	Recommended Mating Torque:	Vibration MIL-STD-202, Method 204, Condition B
Volt Rating (VRMS MAX) @ Sea Level <u>335</u>	OSM: 7-10 in-lbs	Shock MIL-STD-202, Method 213, Condition I.
VSWR DC - 12.4GHz: <u>1.06+0.005f(GHz) MAX</u>	Type N: 12-15 in-lbs	Thermal Shock MIL-STD-202, Method 107, Condition C, except high temp shall be +115°C
12.4 - 15.0GHz: <u>.83+0.023f(GHz) MAX</u>	Mating Characteristics:	Moisture Resistance MIL-STD-202, Method 106
Insertion Loss (dB MAX) <u>.18 @ 9GHz</u>	OSM-Insertion (MAX lbs) <u>3.0</u>	Corrosion - MIL-STD-202, Method 101, Condition B, 5% salt spray
RF Leakage (dB MIN) <u>-65 @ 2-3 GHz</u>	Type N-Insertion (MAX lbs) <u>2.0</u>	
Corona, 70,000 Ft (VRMS MIN) <u>250</u>	OSM-Withdrawal (MIN oz) <u>1.0</u>	
Dielectric Withstanding Voltage (VRMS MIN) @ Sea Level <u>1,000</u>	Type N-Withdrawal (MIN oz) <u>2.0</u>	
Contact Resistance (Milliohms MAX) Center Contact <u>4.1</u>	Force to Engage and Disengage OSM (in-lbs MAX) <u>2.0</u>	
Outer Contact <u>2.2</u>	Type N (in-lbs MAX) <u>6.0</u>	
Cable to Housing <u>N/A</u>	Center Contact Captivation Axial (lbs) <u>6.0</u>	
RF High Potential @ Sea Level (VRMS MIN @ 5 MHz) <u>1,000</u>	Radial (in-oz) <u>4.0</u>	
I.R.(Megohms MIN) <u>5,000</u>	Cable Retention Axial Force (lbs) <u>N/A</u>	
	Torque (in-oz) <u>N/A</u>	
	Weight (Grams) <u>TBD</u>	

COMPONENT	MATERIAL	FINISH
HOUSING MOUNTING NUT LOCKWASHER	STAINLESS STEEL PER ASTM-A484 AND ASTM-A582, TYPE 303	PASSIVATE PER ASTM-A380
DIELECTRIC	TFE FLUOROCARBON PER ASTM-D-1457	N/A
CENTER CONTACT	BRASS PER ASTM-B-16, HALF HARD	GOLD PLATE PER MIL-G-45204
GASKET	SILICONE RUBBER PER ZZ-R-765	N/A

UNLESS OTHERWISE SPECIFIED DIMENSIONS ARE IN INCHES TOLERANCE ON	DRAWN BY	DATE
	SWA	11/9/84
	CHECKED BY	11/15/84
FRAC. DEC. ANGLES	APPD BY	
± 1/64 ±.005 ± °	DRG	11/27/84

These drawings and specifications are the property of Omni Spectra Incorporated and shall not be reproduced or copied or used in whole or in part as the basis for the manufacture or sale of item(s) without written permission.

USE ASS'Y PROCEDURE

NO. AP. N/A

TE TE Connectivity

TITLE OSM JACK TO OSN JACK BULKHEAD FEEDTHROUGH ADAPTER

SIZE	CODE IDENT NO.	REV
B	26805	B1

1057463-1

SCALE 3:1 SHEET 1 OF 1

.XXX = in
XX.X = mm