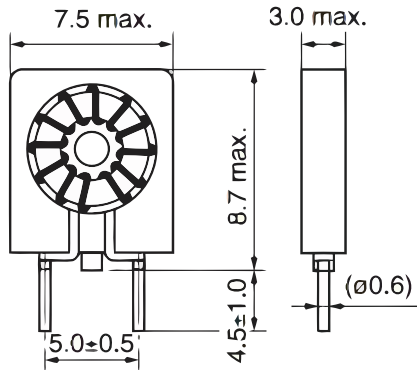


KEMET Part Number: SBT-0210TF
(UDLSBT00210TF0)

KEMET, SBT, DC Line Filters, Normal Mode, 10 uH, 50%



Dimensions

| Dimension | Value |
|-----------|--------------|
| L | 7.5mm MAX |
| W | 3mm MAX |
| T | 3mm MAX |
| H | 8.7mm MAX |
| LL | 4.5mm +/-1mm |
| S | 5mm +/-0.5mm |

Packaging Specifications

| | |
|----------------------------|--------|
| Packaging: | T&R |
| Packaging Quantity: | 1000 |
| Weight: | 240 mg |

General Information

| | |
|-----------------------|----------------------------|
| Series: | SBT |
| Style: | Through-Hole |
| RoHS: | Yes |
| Miscellaneous: | Inductance: 70mAmps (1kHz) |

Specifications

| | |
|------------------------------|-----------|
| Voltage DC: | 50 VDC |
| Inductance: | 10 uH |
| Inductance Tolerance: | 50% |
| Temperature Range: | -25/+70°C |
| DC Resistance: | 20 Ohms |