



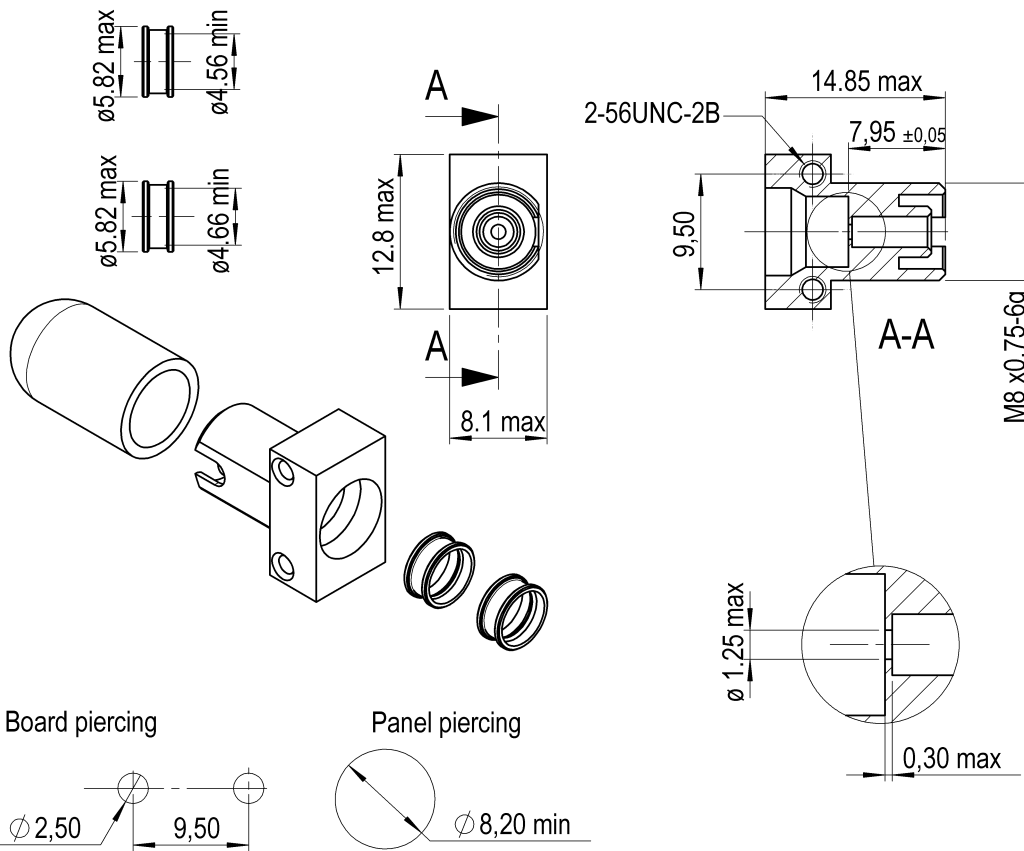
Title : EMPTY RECEPTACLE FOR TO18-TO46 ACTIVE DEVICES

Series  
FC

Issue  
02/02/95

Page  
1/1

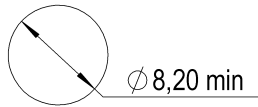
Dimensions : mm



Board piercing



Panel piercing



**GENERAL**

- TYPE :
- IEC 874-7 type FC
  - Screw thread coupling
  - PCB mounting and panel mounting
  - Keyed for consistent coupling

NOTE : To be used with FCPC multimode plugs

**CHARACTERISTICS (Dependent on fiber or cable construction)**

- ELECTRICAL : Depends on components
- OPTICAL : Coupling efficiency depends on fibre and active device used
- OPTOELECTRONICAL : Depends on components
- MECHANICAL : Mechanical endurance 1000 matings  
Vibration 10/55Hz – 10g
- ENVIRONMENTAL : Climatic category 20/80/4

|                 |       |           |      |                       |                       |
|-----------------|-------|-----------|------|-----------------------|-----------------------|
| <b>CREATION</b> |       |           |      | <b>RADIALL®</b>       |                       |
| N°:             |       |           |      | 101, rue P. Hoffmann  |                       |
| PEN/EP          |       |           |      | 93116 ROSNY/BOIS      |                       |
| Name: R. P.     |       |           |      | FRANCE                |                       |
| Date: 02/02/95  |       |           |      | Tel : (33) 0149353535 |                       |
| Appr.:          | Issue | Revisions | Name | Appr.                 | Fax : (33) 0148546363 |