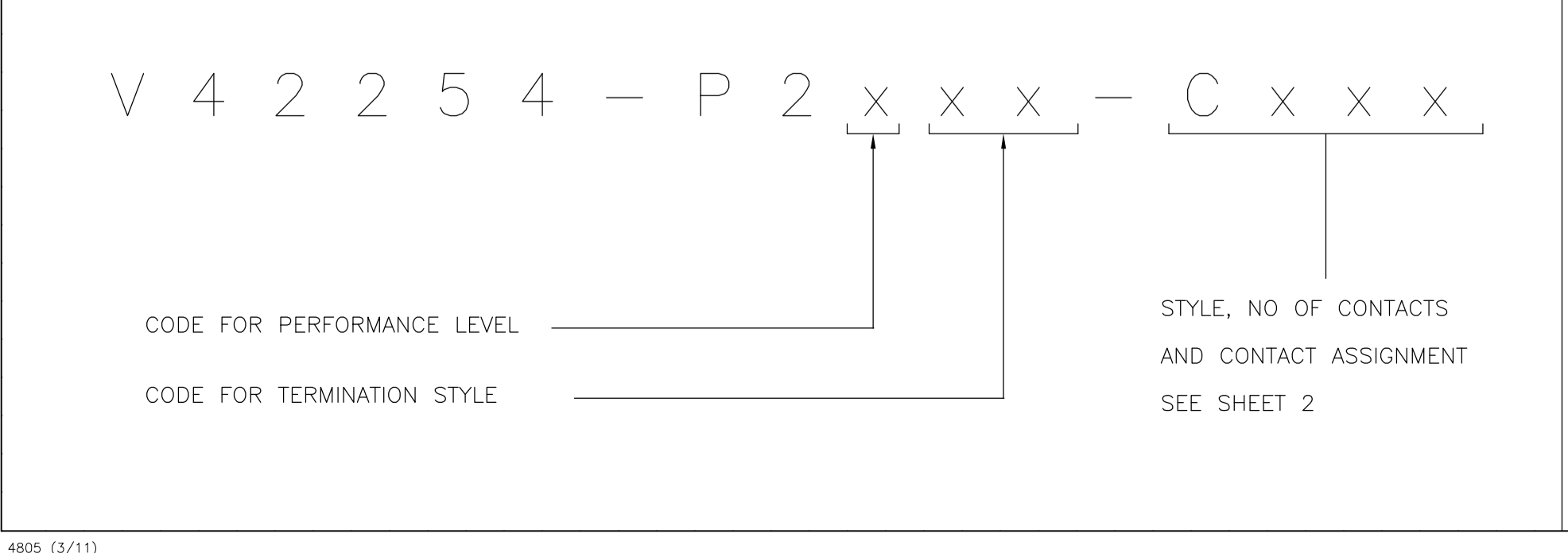
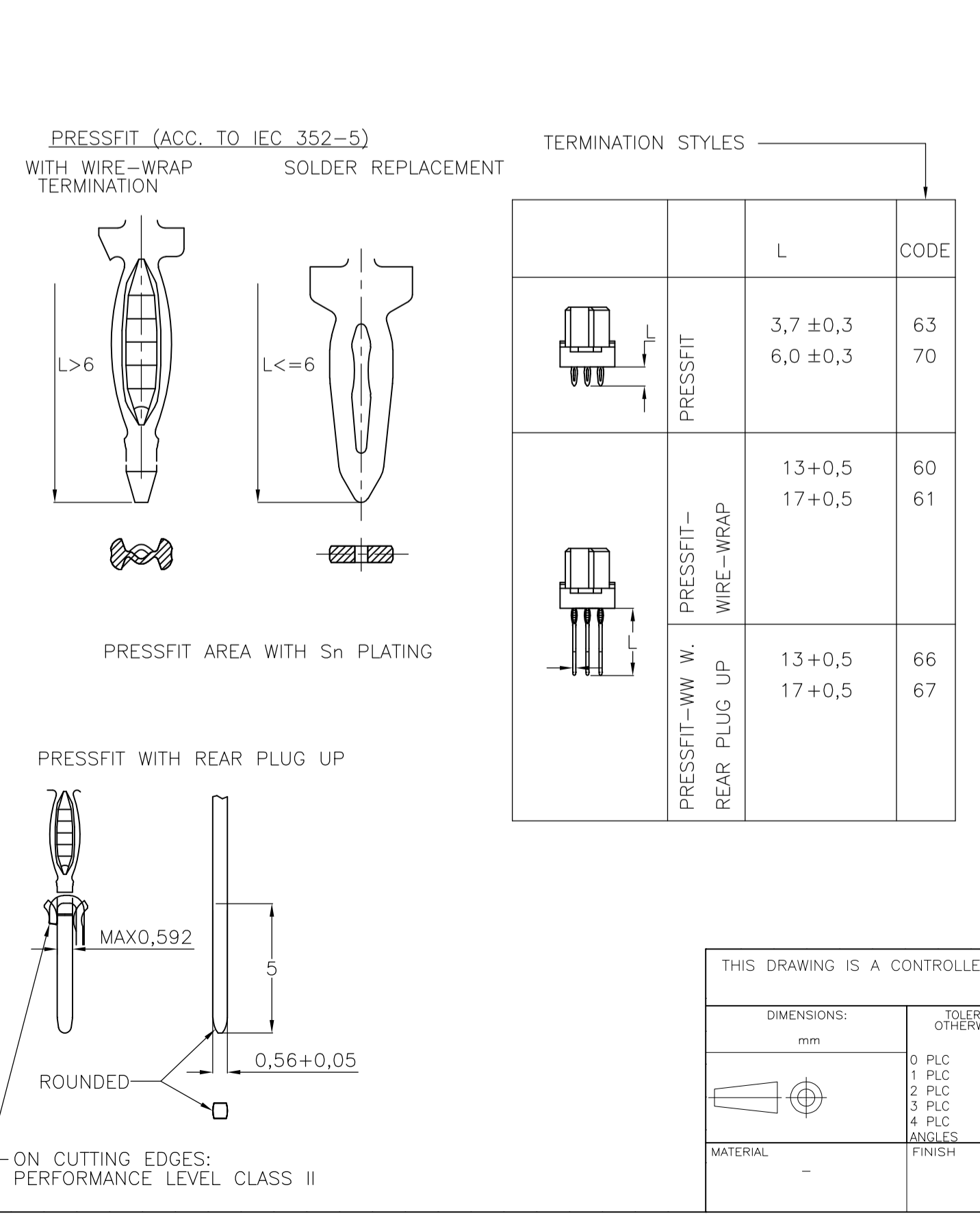
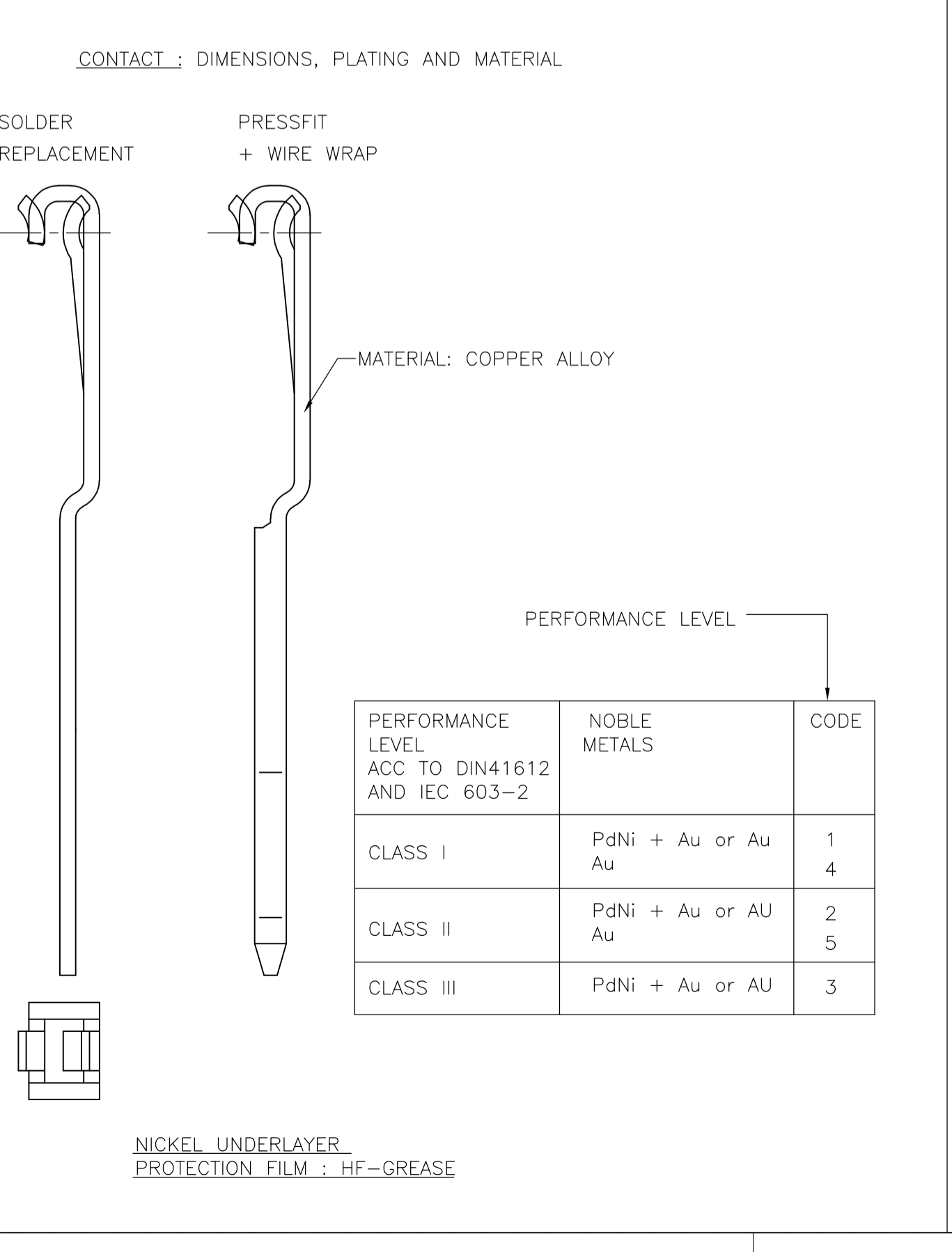
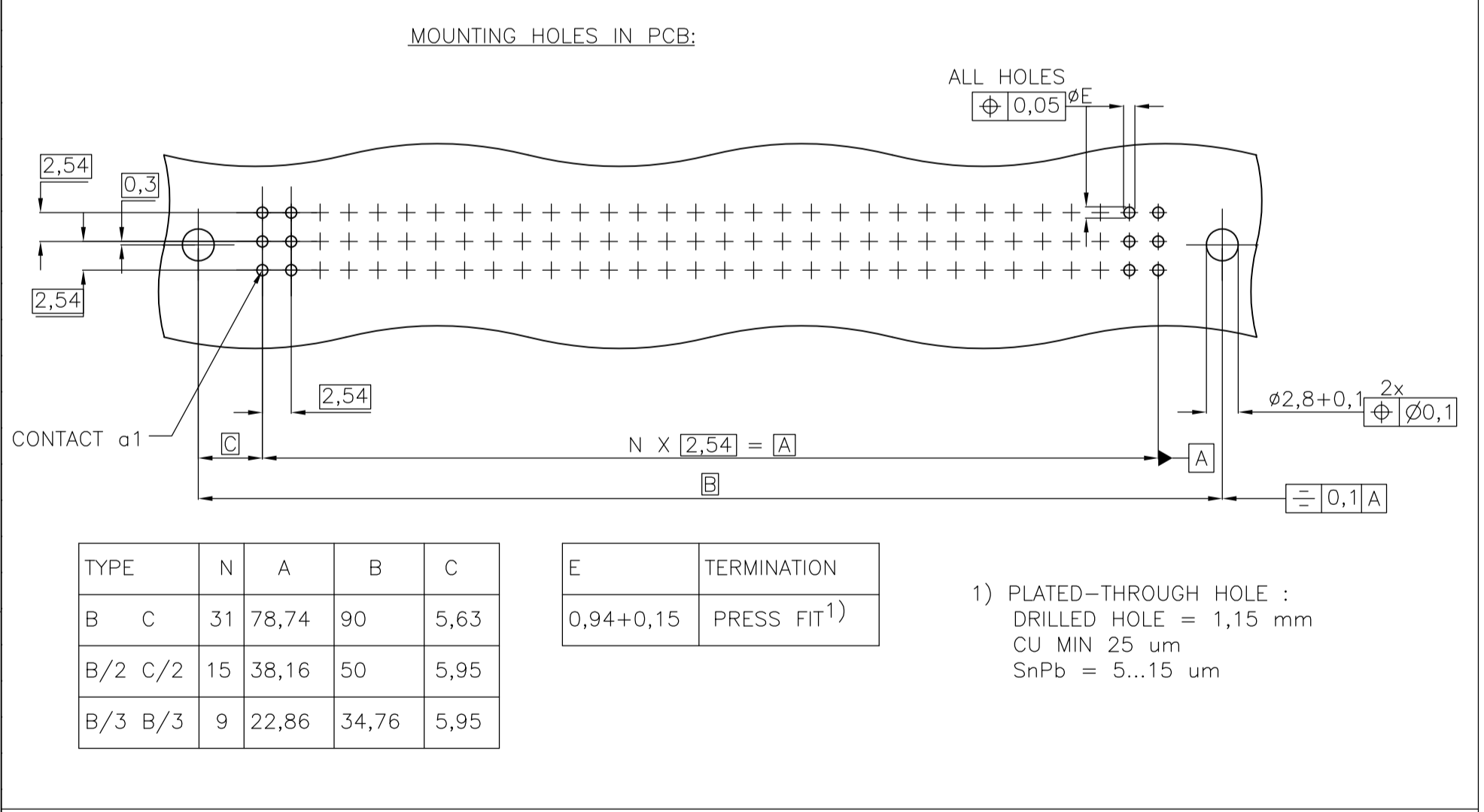
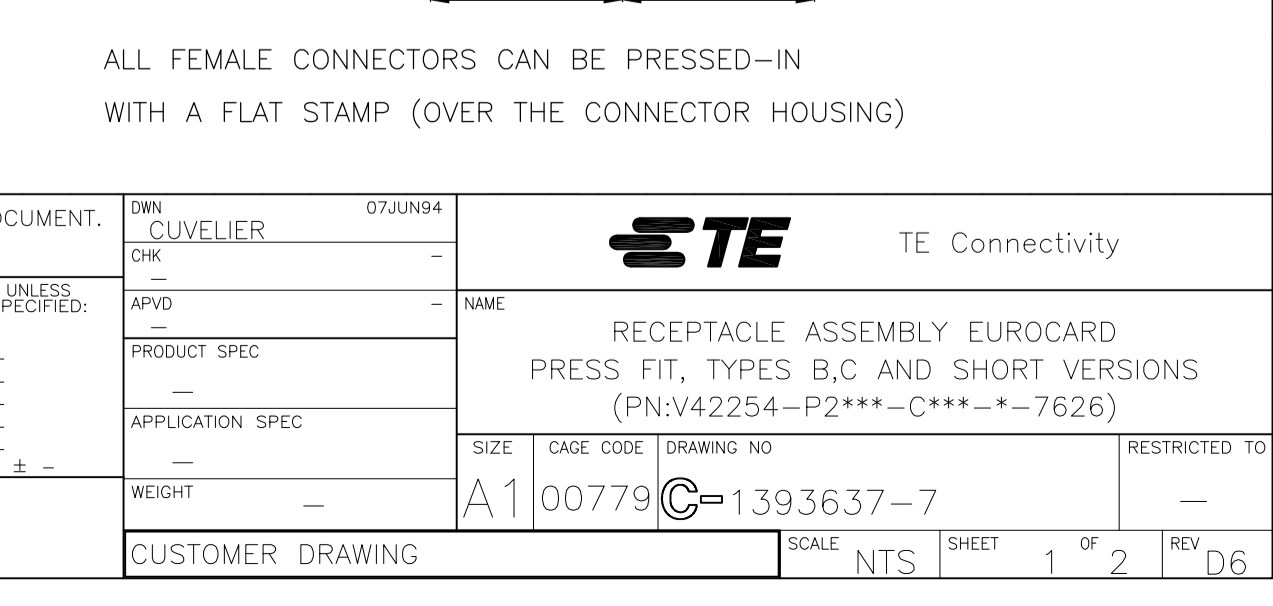
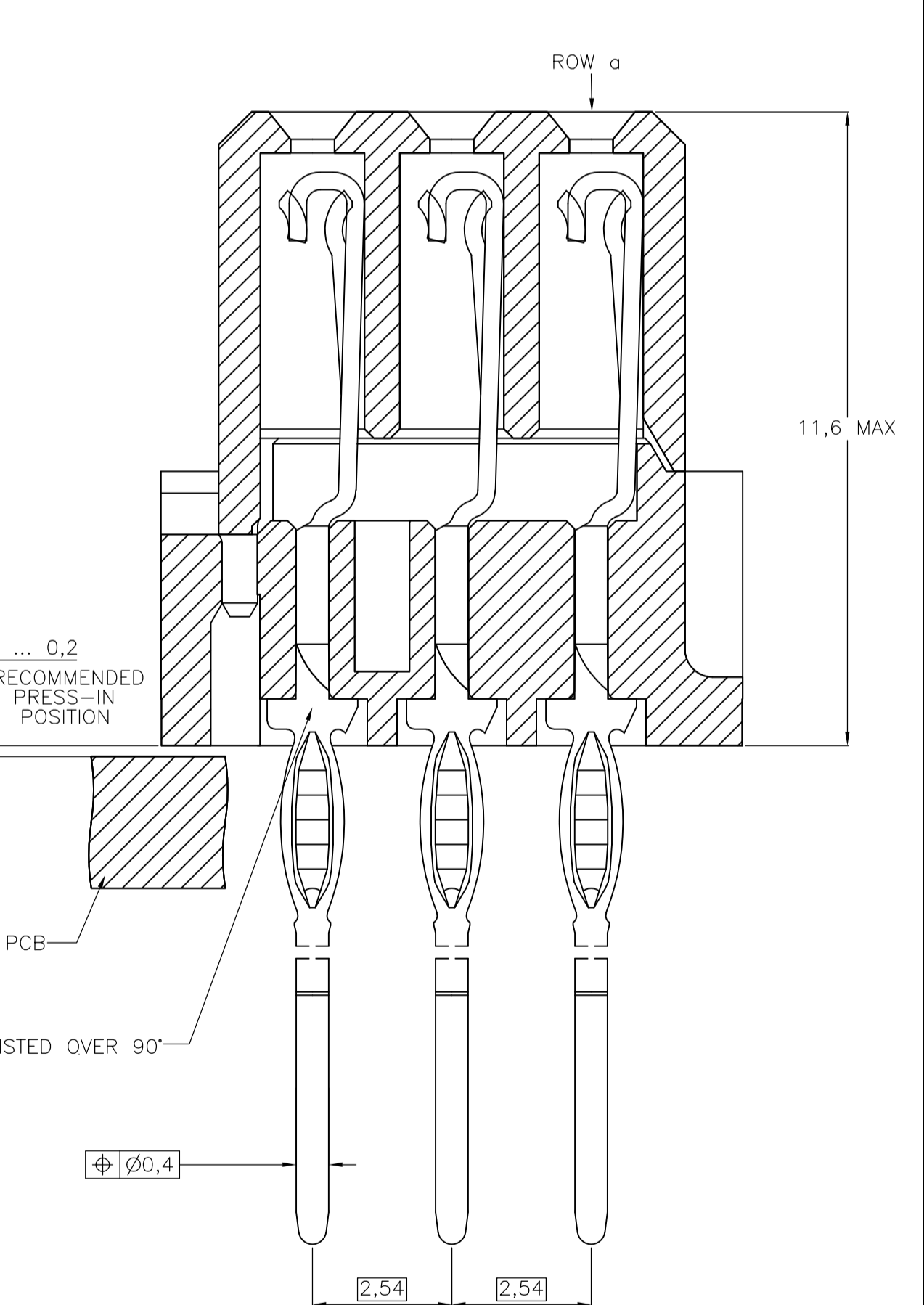
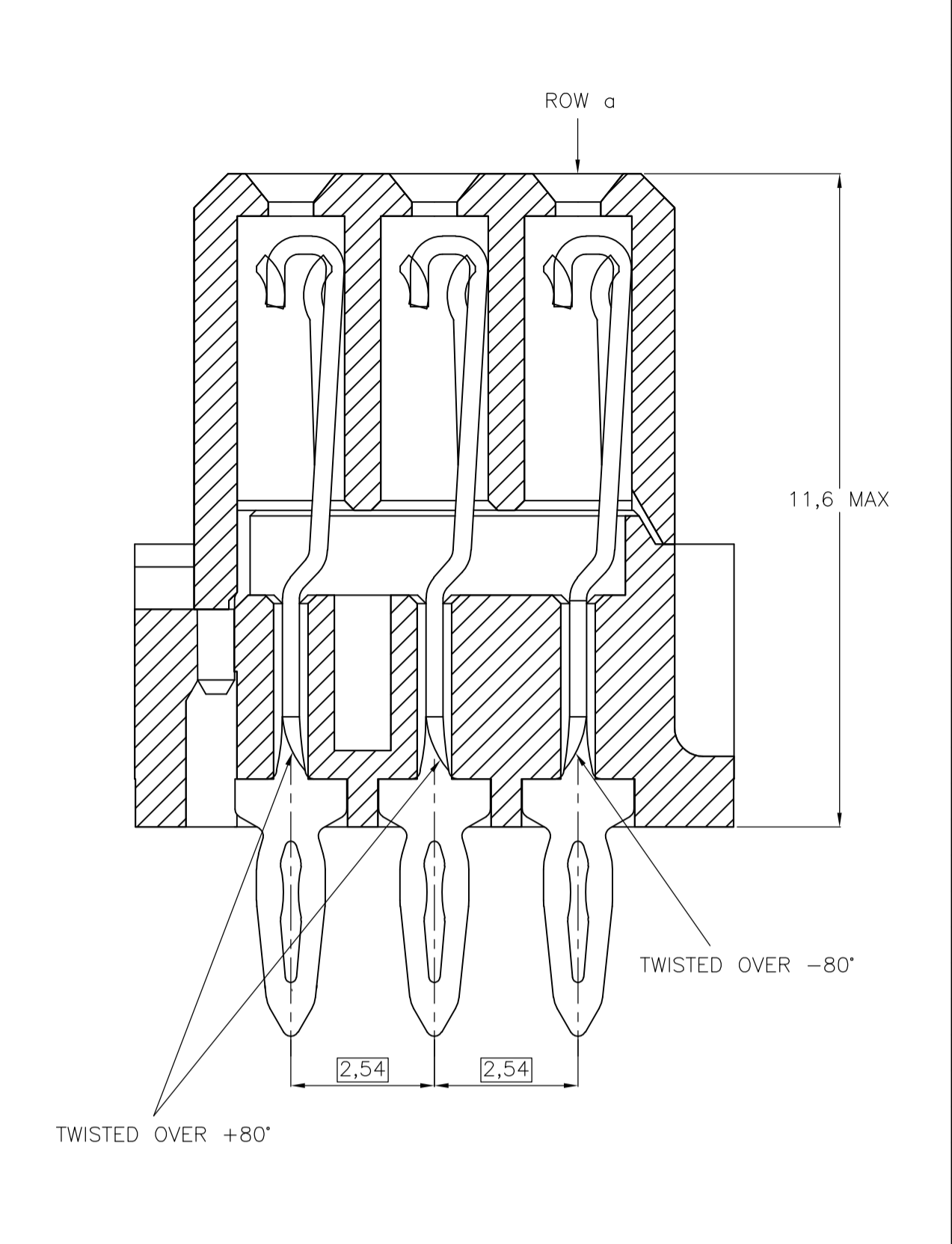


| Loc | DIST          | REVISIONS   |          |     |         |
|-----|---------------|-------------|----------|-----|---------|
| F   | LTR           | DESCRIPTION | DATE     | DWY | APVD    |
| D4  | ECR-08-012252 |             | 18-03-09 |     | AEG MKO |
| D5  | ECR-10-002555 |             | 01JUN10  |     | RK MKO  |
| D6  | ECR-10-004503 |             | 13SEP11  |     | RK MKO  |



THIS DRAWING IS A CONTROLLED DOCUMENT.

DIN CUIVELIER 07JUN94

TE Connectivity

RECEPTACLE ASSEMBLY EUROCARD  
PRESS FIT, TYPES B,C AND SHORT VERSIONS  
(PN:V42254-P2\*\*\*-C\*\*\*-7626)

SIZE: A1  
CAGE CODE: 00779  
DRAWING NO: 1393637-7  
RESTRICTED TO: MKO

CUSTOMER DRAWING

SCALE: NTS  
SHEET: 1 of 2  
REV: D6

THIS DRAWING IS UNPUBLISHED. RELEASED FOR PUBLICATION. ALL RIGHTS RESERVED.

| REVISIONS |      |             |      |
|-----------|------|-------------|------|
| LOC       | DIST | DESCRIPTION | DATE |
| H         | -    | SEE SHEET 1 | -    |

| OLD PART NUMBER    | TE PIN      | STYLE & NUMBER OF POSITIONS | TERMINATION POSTS   | LOADED ROWS                  | PERFORMANCE LEVEL | BOARD LOCKS |
|--------------------|-------------|-----------------------------|---|------------------------------|-------------------|-------------|
| V42254-P2163-C483  | 1393637-6   | C48                         | 3,7mm PRESS-IN TERMINALS  | ROW A+C , EVERY PITCH        | 1                 | NO          |
| V42254-P2163-C960  | 1393637-7   | C96                         | 3,7mm PRESS-IN TERMINALS  | EVERY ROW , EVERY PITCH      | 1                 | NO          |
| V42254-P2163-C963  | 1393637-9   | C96                         | 3,7mm PRESS-IN TERMINALS  | ROW A+C , EVERY PITCH        | 1                 | NO          |
| V42254-P2167-C960  | 1-1393637-0 | C96                         | 17mm PRESS-IN TERMINALS WITH WIRE-WRAP AND INSERTION AREA LEVEL 2 | EVERY ROW , EVERY PITCH      | 1                 | NO          |
| V42254-P2170-C960  | 1-1393637-2 | C96                         | 6,0mm PRESS-IN TERMINALS  | EVERY ROW , EVERY PITCH      | 1                 | NO          |
| V42254-P2260-B640  | 1-1393637-9 | B64                         | 13mm PRESS-IN TERMINALS WITH WIRE-WRAP                            | EVERY ROW , EVERY PITCH      | 2                 | NO          |
| V42254-P2260-B640N | 2-1393637-0 | B64                         | 13mm PRESS-IN TERMINALS WITH WIRE-WRAP                            | EVERY ROW , EVERY PITCH      | 2                 | NO          |
| V42254-P2260-C480  | 2-1393637-2 | C48                         | 13mm PRESS-IN TERMINALS WITH WIRE-WRAP                            | EVERY ROW , EVERY PITCH      | 2                 | NO          |
| V42254-P2260-C960  | 2-1393637-3 | C96                         | 13mm PRESS-IN TERMINALS WITH WIRE-WRAP                            | EVERY ROW , EVERY PITCH      | 2                 | NO          |
| V42254-P2260-C962  | 2-1393637-5 | C96                         | 13mm PRESS-IN TERMINALS WITH WIRE-WRAP                            | ROW A+B , EVERY PITCH        | 2                 | NO          |
| V42254-P2260-C963  | 2-1393637-6 | C96                         | 13mm PRESS-IN TERMINALS WITH WIRE-WRAP                            | ROW A+C , EVERY PITCH        | 2                 | NO          |
| V42254-P2261-B640  | 2-1393637-8 | B64                         | 17mm PRESS-IN TERMINALS WITH WIRE-WRAP                            | EVERY ROW , EVERY PITCH      | 2                 | NO          |
| V42254-P2261-C960  | 2-1393637-9 | C96                         | 17mm PRESS-IN TERMINALS WITH WIRE-WRAP                            | EVERY ROW , EVERY PITCH      | 2                 | NO          |
| V42254-P2261-C963  | 3-1393637-0 | C96                         | 17mm PRESS-IN TERMINALS WITH WIRE-WRAP                            | ROW A+C , EVERY PITCH        | 2                 | NO          |
| V42254-P2263-B320  | 3-1393637-3 | B32                         | 3,7mm PRESS-IN TERMINALS  | EVERY ROW , EVERY PITCH      | 2                 | NO          |
| V42254-P2263-B325  | 3-1393637-4 | B32                         | 3,7mm PRESS-IN TERMINALS  | EVERY ROW , EVERY EVEN PITCH | 2                 | NO          |
| V42254-P2263-B325N | 3-1393637-5 | B32                         | 3,7mm PRESS-IN TERMINALS  | EVERY ROW , EVERY EVEN PITCH | 2                 | NO          |
| V42254-P2263-B640  | 3-1393637-6 | B64                         | 3,7mm PRESS-IN TERMINALS  | EVERY ROW , EVERY PITCH      | 2                 | NO          |
| V42254-P2263-C300  | 4-1393637-0 | C30                         | 3,7mm PRESS-IN TERMINALS  | EVERY ROW , EVERY PITCH      | 2                 | NO          |
| V42254-P2263-C303  | 4-1393637-2 | C30                         | 3,7mm PRESS-IN TERMINALS  | ROW A+C , EVERY PITCH        | 2                 | NO          |
| V42254-P2263-C480  | 4-1393637-4 | C48                         | 3,7mm PRESS-IN TERMINALS  | EVERY ROW , EVERY PITCH      | 2                 | NO          |
| V42254-P2263-C480N | 4-1393637-5 | C48                         | 3,7mm PRESS-IN TERMINALS  | EVERY ROW , EVERY PITCH      | 2                 | NO          |
| V42254-P2263-C483  | 2-1392009-7 | C48                         | 3,7mm PRESS-IN TERMINALS  | ROW A+C , EVERY PITCH        | 2                 | NO          |
| V42254-P2263-C960  | 4-1393637-6 | C96                         | 3,7mm PRESS-IN TERMINALS  | EVERY ROW , EVERY PITCH      | 2                 | NO          |
| V42254-P2263-C963  | 4-1393637-9 | C96                         | 3,7mm PRESS-IN TERMINALS  | ROW A+C , EVERY PITCH        | 2                 | NO          |
| V42254-P2263-C965  | 5-1393637-2 | C96                         | 3,7mm PRESS-IN TERMINALS  | EVERY ROW , EVERY EVEN PITCH | 2                 | NO          |
| V42254-P2263-C968  | 5-1393637-3 | C96                         | 3,7mm PRESS-IN TERMINALS  | ROW A+C , EVERY EVEN PITCH   | 2                 | NO          |
| V42254-P2266-B320  | 6-1393637-2 | B32                         | 13mm PRESS-IN TERMINALS WITH WIRE-WRAP AND INSERTION AREA LEVEL 2 | EVERY ROW , EVERY PITCH      | 2                 | NO          |
| V42254-P2266-B640  | 6-1393637-3 | B64                         | 13mm PRESS-IN TERMINALS WITH WIRE-WRAP AND INSERTION AREA LEVEL 2 | EVERY ROW , EVERY PITCH      | 2                 | NO          |
| V42254-P2266-C480  | 6-1393637-5 | C48                         | 13mm PRESS-IN TERMINALS WITH WIRE-WRAP AND INSERTION AREA LEVEL 2 | EVERY ROW , EVERY PITCH      | 2                 | NO          |
| V42254-P2266-C960  | 6-1393637-6 | C96                         | 13mm PRESS-IN TERMINALS WITH WIRE-WRAP AND INSERTION AREA LEVEL 2 | EVERY ROW , EVERY PITCH      | 2                 | NO          |
| V42254-P2266-C963  | 6-1393637-9 | C96                         | 13mm PRESS-IN TERMINALS WITH WIRE-WRAP AND INSERTION AREA LEVEL 2 | ROW A+C , EVERY PITCH        | 2                 | NO          |
| V42254-P2266-C965  | 7-1393637-0 | C96                         | 13mm PRESS-IN TERMINALS WITH WIRE-WRAP AND INSERTION AREA LEVEL 2 | EVERY ROW , EVERY EVEN PITCH | 2                 | NO          |
| V42254-P2266-C968  | 7-1393637-1 | C96                         | 13mm PRESS-IN TERMINALS WITH WIRE-WRAP AND INSERTION AREA LEVEL 2 | ROW A+C , EVERY EVEN PITCH   | 2                 | NO          |
| V42254-P2267-C960  | 7-1393637-3 | C96                         | 17mm PRESS-IN TERMINALS WITH WIRE-WRAP AND INSERTION AREA LEVEL 2 | EVERY ROW , EVERY PITCH      | 2                 | NO          |
| V42254-P2267-C963  | 7-1393637-4 | C96                         | 17mm PRESS-IN TERMINALS WITH WIRE-WRAP AND INSERTION AREA LEVEL 2 | ROW A+C , EVERY PITCH        | 2                 | NO          |
| V42254-P2270-C483  | 2-1392009-0 | C48                         | 6,0mm PRESS-IN TERMINALS  | ROW A+C , EVERY PITCH        | 2                 | NO          |
| V42254-P2270-C960  | 8-1393637-0 | C96                         | 6,0mm PRESS-IN TERMINALS  | EVERY ROW , EVERY PITCH      | 2                 | NO          |
| V42254-P2270-C960N | 8-1393637-2 | C96                         | 6,0mm PRESS-IN TERMINALS  | EVERY ROW , EVERY PITCH      | 2                 | NO          |
| V42254-P2270-C963  | 8-1393637-4 | C96                         | 6,0mm PRESS-IN TERMINALS  | ROW A+C , EVERY PITCH        | 2                 | NO          |
| V42254-P2270-C963N | 8-1393637-6 | C96                         | 6,0mm PRESS-IN TERMINALS  | ROW A+C , EVERY PITCH        | 2                 | NO          |
| V42254-P2270-C968  | 8-1393637-7 | C96                         | 6,0mm PRESS-IN TERMINALS  | ROW A+C , EVERY EVEN PITCH   | 2                 | NO          |
| V42254-P2470-C960  | 1-1393638-2 | C96                         | 6,0mm PRESS-IN TERMINALS  | EVERY ROW , EVERY PITCH      | 1                 | NO          |
| V42254-P2470-C963  | 1-1393638-3 | C96                         | 6,0mm PRESS-IN TERMINALS  | ROW A+C , EVERY PITCH        | 1                 | NO          |

SUPERSEDED BY 4-1393637-6

SUPERSEDED BY 7-1393637-3

SUPERSEDED BY 5650865-5

1) CONNECTORS WITHOUT MARKING, IN TE PACKAGING. ACTIVE PART NUMBERS. CONTACT TE FOR OTHER CONFIGURATION AVAILABILITY

THIS DRAWING IS A CONTROLLED DOCUMENT.

|                |  |                     |   |
|----------------|--|---------------------|---|
| DIMENSIONS: mm | TOLERANCES UNLESS OTHERWISE SPECIFIED: | DRAWING NO. 07JUN94 | REV. 01                                 |
|                | 0. PLC ± -                             | NAME                | CUVELIER                                |
|                | 1. PLC ± -                             | PRODUCT SPEC        | RECEPTACLE ASSEMBLY EUROCARD            |
|                | 2. PLC ± -                             | APPLICATION SPEC    | PRESS FIT, TYPES B,C AND SHORT VERSIONS |
|                | 3. PLC ± -                             | SIZE                | A1                                      |
| MATERIAL       | FINISH                                 | WEIGHT              | SCALE NTS SHEET 2 OF 2 REV D6           |

STE TE Connectivity

(PN:V42254-P2\*\*\*-C\*\*\*-7626)

00779 1393637-7