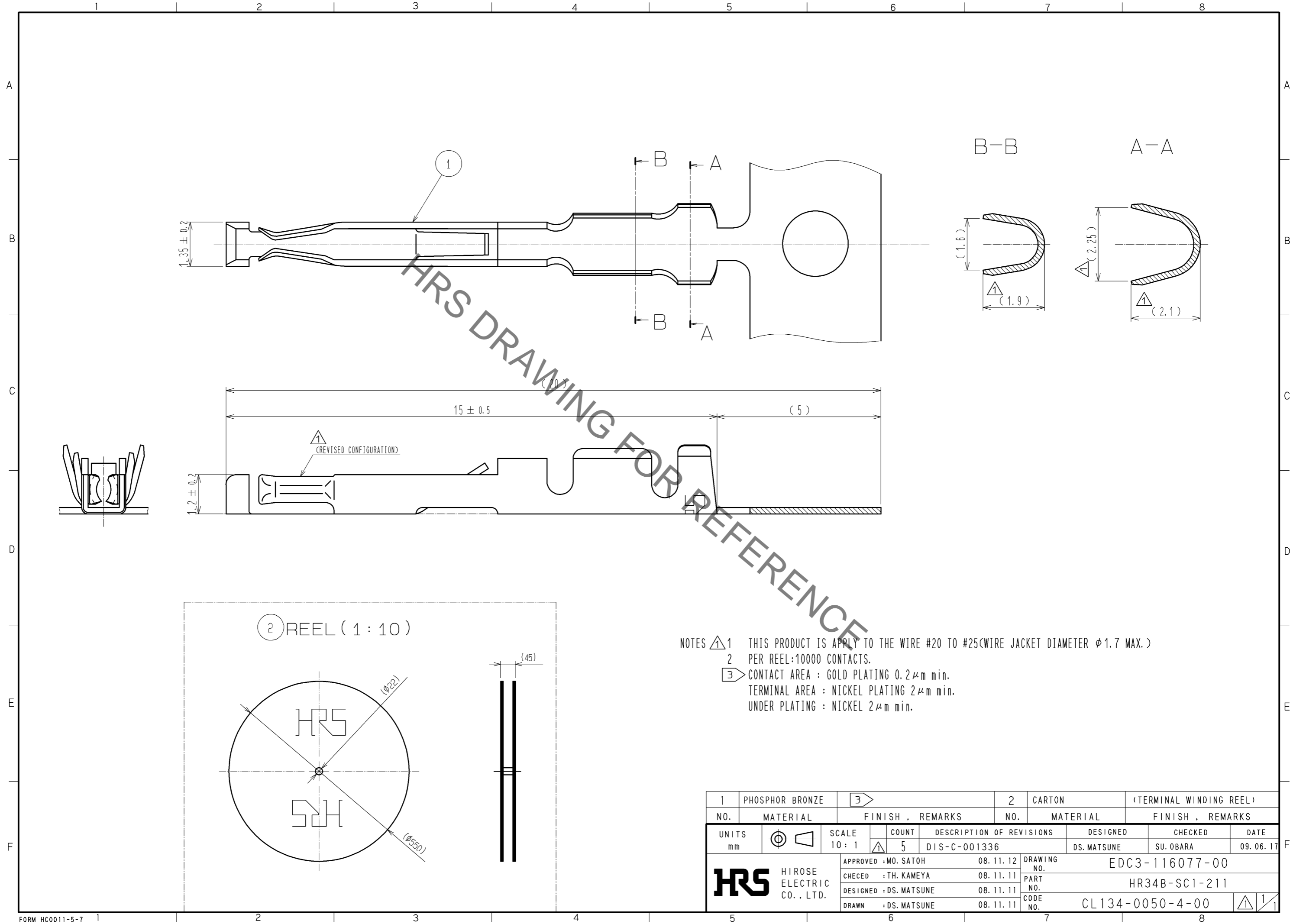


Jul.1.2019 Copyright 2019 HIROSE ELECTRIC CO., LTD. All Rights Reserved.
 In case of consideration for using Automotive equipment / device which demand high reliability, kindly contact our sales window correspondents.



NOTES ① THIS PRODUCT IS APPLY TO THE WIRE #20 TO #25(WIRE JACKET DIAMETER $\phi 1.7$ MAX.)
 ② PER REEL:10000 CONTACTS.
 ③ CONTACT AREA : GOLD PLATING $0.2 \mu\text{m}$ min.
 TERMINAL AREA : NICKEL PLATING $2 \mu\text{m}$ min.
 UNDER PLATING : NICKEL $2 \mu\text{m}$ min.

1	PHOSPHOR BRONZE	③	2	CARTON	(TERMINAL WINDING REEL)
NO.	MATERIAL	FINISH . REMARKS	NO.	MATERIAL	FINISH . REMARKS
UNITS mm		SCALE 10:1	COUNT 5	DESCRIPTION OF REVISIONS DIS-C-001336	DESIGNED DS. MATSUNE
		APPROVED : MO. SATOH	08. 11. 12	DRAWING NO.	EDC3-116077-00
		CHECED : TH. KAMEYA	08. 11. 11	PART NO.	HR34B-SC1-211
		DESIGNED : DS. MATSUNE	08. 11. 11	CODE NO.	CL134-0050-4-00
		DRAWN : DS. MATSUNE	08. 11. 11		
					DATE 09. 06. 17
					CHECKED SU. OBARA