

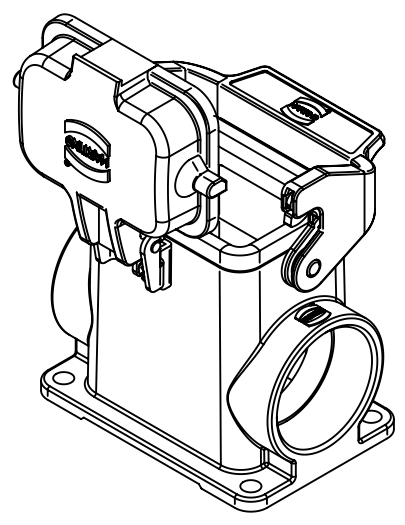
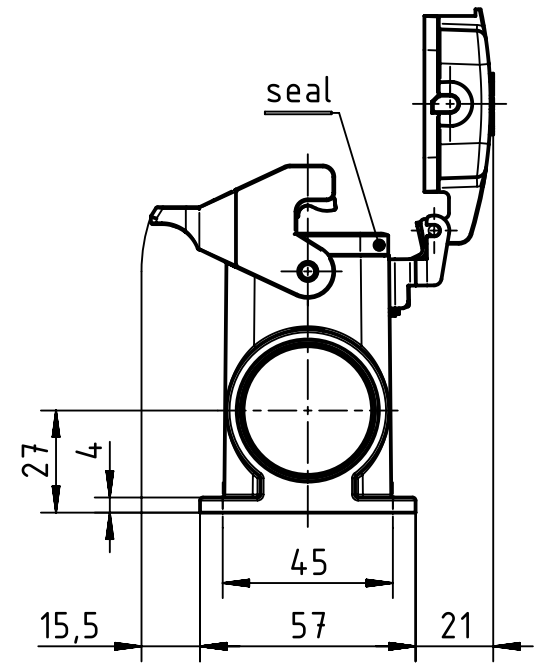
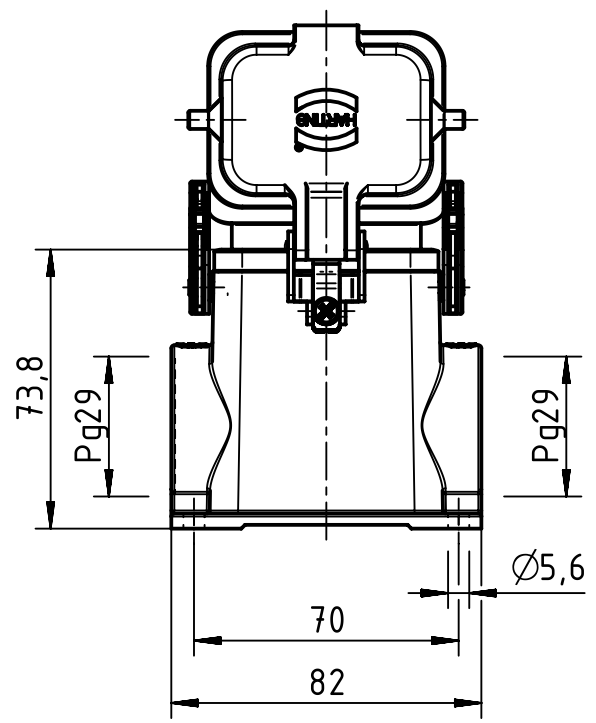
1 2 3 4 5 6


A

B

C

D



	All rights reserved Department EL PD - DE	All Dimensions in mm Original Size DIN A4		Scale 1:2	Free size tol.	Ref. Sub.
		Created by GRUBES	Inspected by TIEMANNA	Standardisation SCHMIDTM	Date 2014-07-02	State Final Release
HARTING Electric GmbH & Co. KG D-32339 Espelkamp		Title Han 6 B-asg2-LB-K-29			Doc-Key / ECM-Nr. 100207227/UGD/004/A 500000076187	
		Type TB	Number 09 30 006 0298		Rev. A	Page 1/1

Mouser Electronics

Authorized Distributor

Click to View Pricing, Inventory, Delivery & Lifecycle Information:

[HARTING:](#)

[09300060298](#)