



PART NAME

# EXTRUDED ALUMINUM IP65 PCB ENCLOSURES

PART No.

EXN-23357 (SEE TABULATION FOR COMBINATIONS)

REVISION DATE

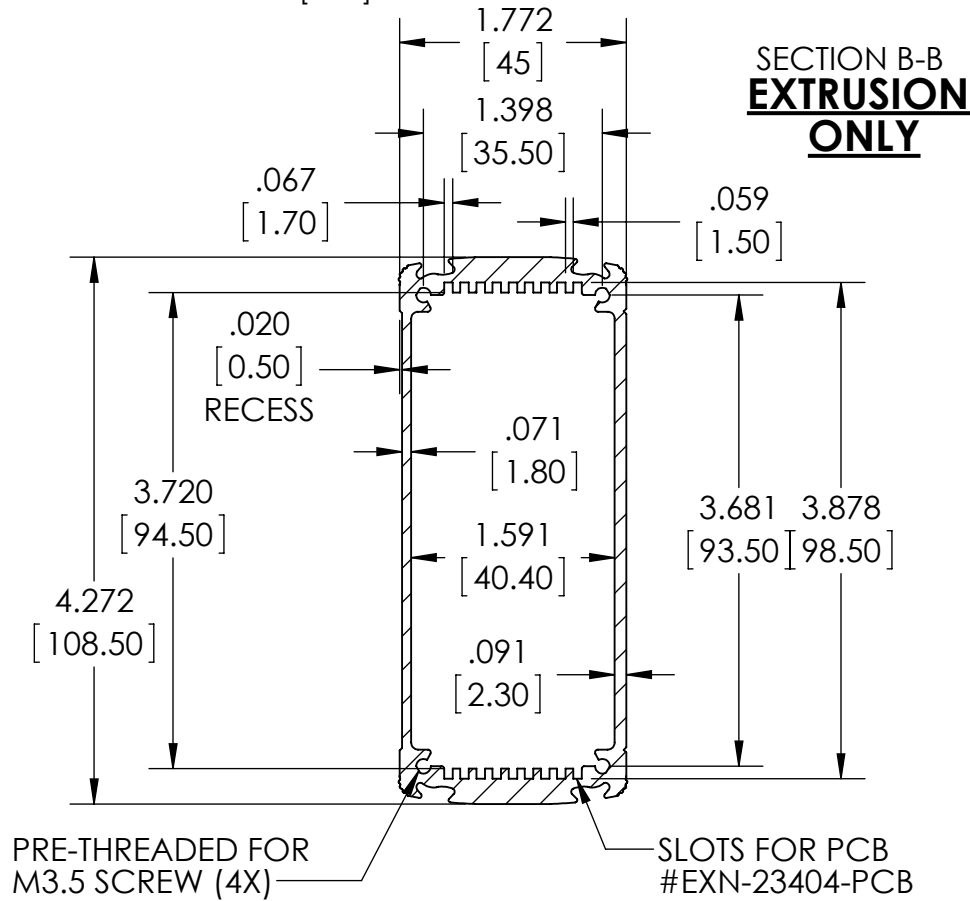
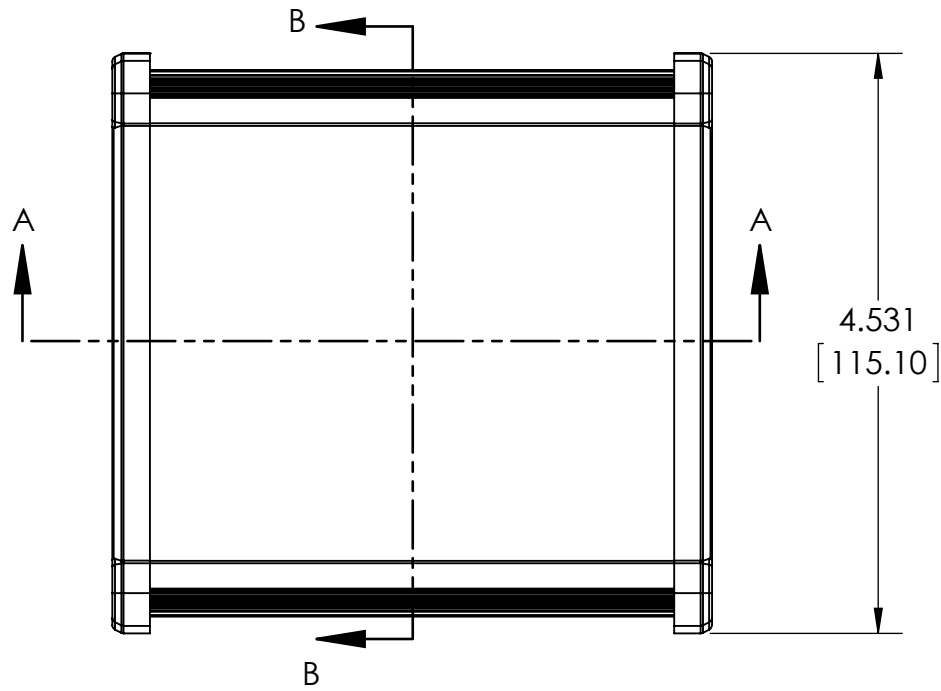
10-23-15

PART NUMBER	ALUM. COVER	PLASTIC COVER	BODY COLOR
EXN-23357-BK	BLACK	-	BLACK
EXN-23357-BKP	-	BLACK	BLACK
EXN-23357-BL	BLACK	-	BLUE
EXN-23357-BLP	-	TRANSLUCENT BLUE	BLUE
EXN-23357-GD	BLACK	-	GOLD
EXN-23357-GDP	-	CLEAR	GOLD
EXN-23357-RD	BLACK	-	RED
EXN-23357-RDP	-	IR RED	RED
EXN-23357-SV	BLACK	-	SILVER
EXN-23357-SVP	-	CLEAR	SILVER

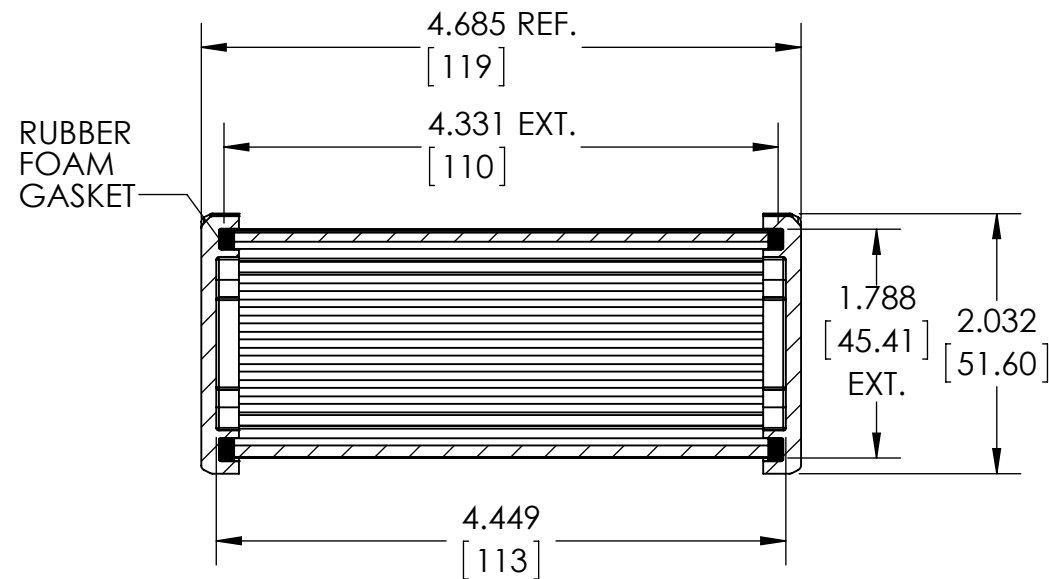
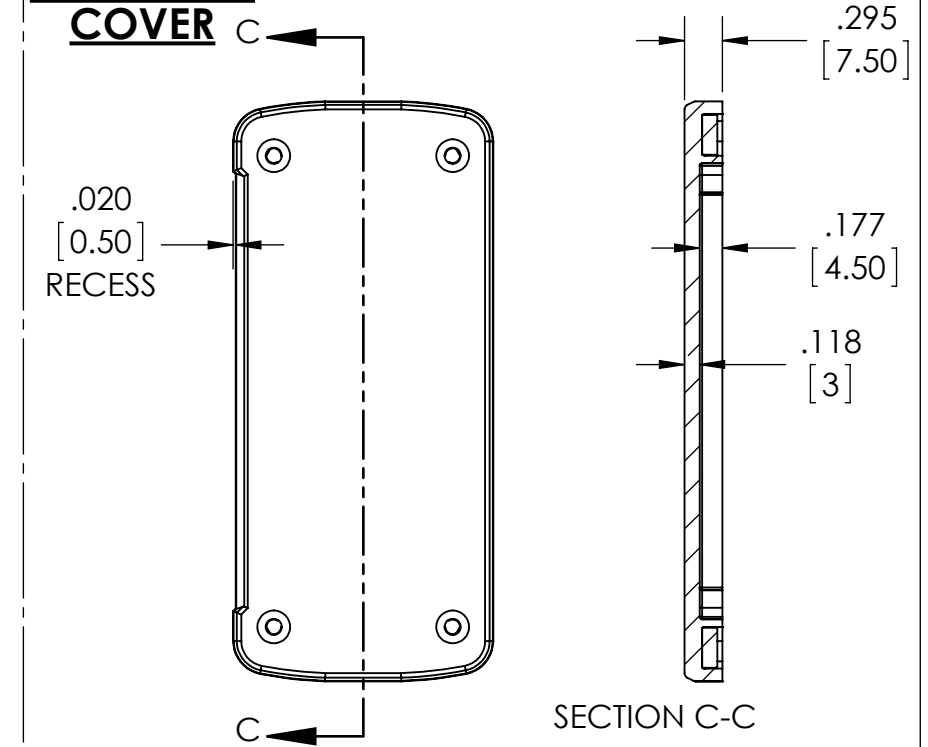
MATERIAL: ALUMINUM EXTRUSION BODY PROVIDED  
 ALUMINUM COVER (2X) AND GASKETS OR  
 POLYCARBONATE COVER (2X) KAND GASKETS - NOT ASSEMBLED

**DRAWING FOR REFERENCE**  
 WE RESERVE THE RIGHT TO MAKE CHANGES TO OUR  
 STANDARD PRODUCTS. PLEASE CONSULT WITH BUD INDUSTRIES  
 PRIOR TO USING THIS DRAWING FOR DESIGN PURPOSE.

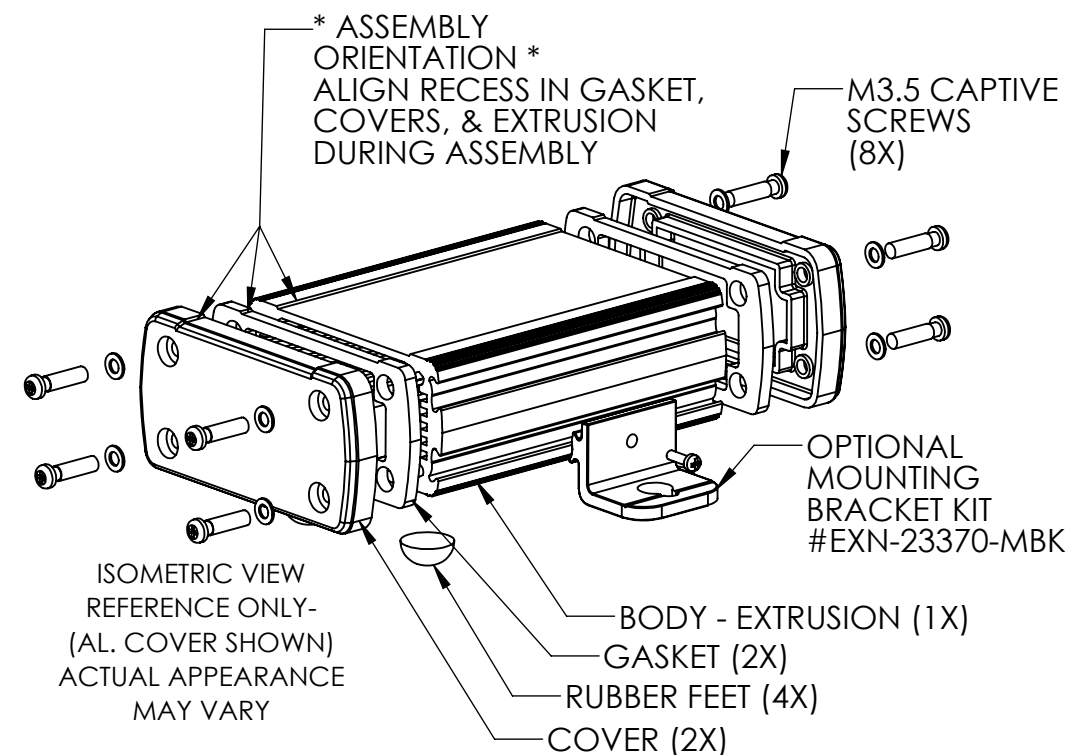
DIMENSIONS ARE INCH[MM]



### DIE CAST ALUMINUM COVER



SECTION A-A  
 DIMENSIONS MAY VARY DEPENDING ON  
 THE COMPRESSION OF THE GASKETS



### PLASTIC COVER

