



PART NAME

EXTRUDED ALUMINUM IP65 PCB ENCLOSURES

PART No.

EXN-23357 (SEE TABULATION FOR COMBINATIONS)

REVISION DATE

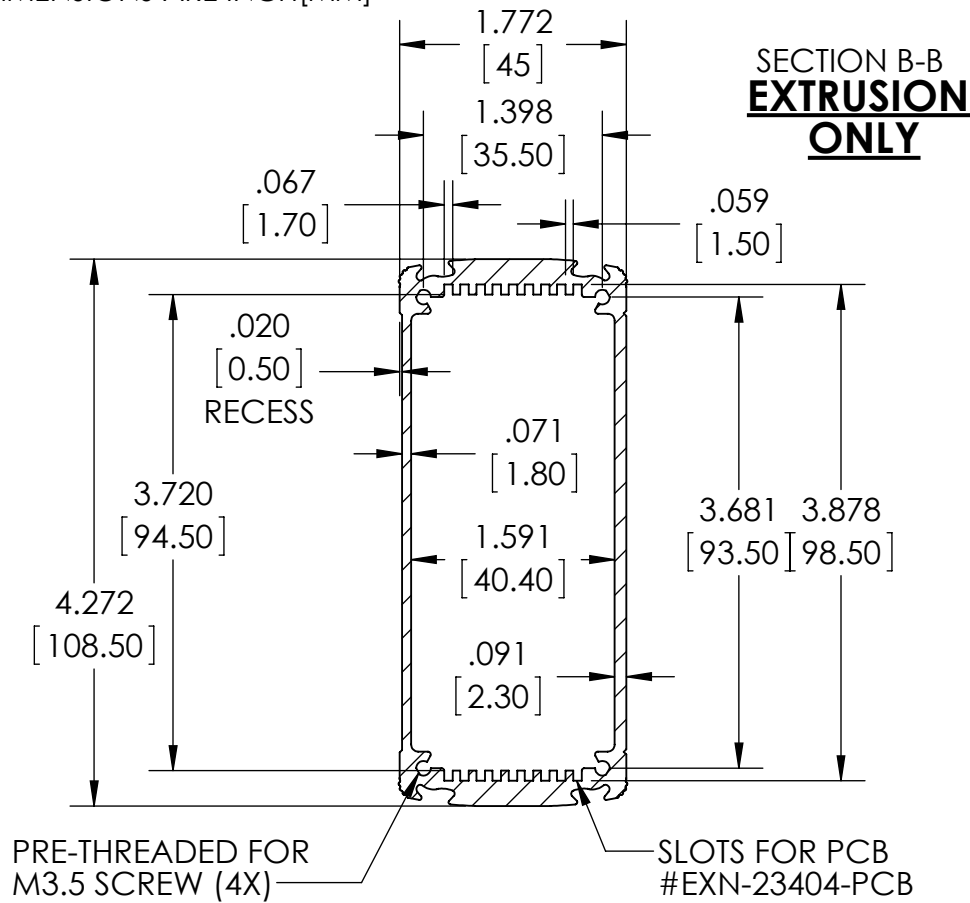
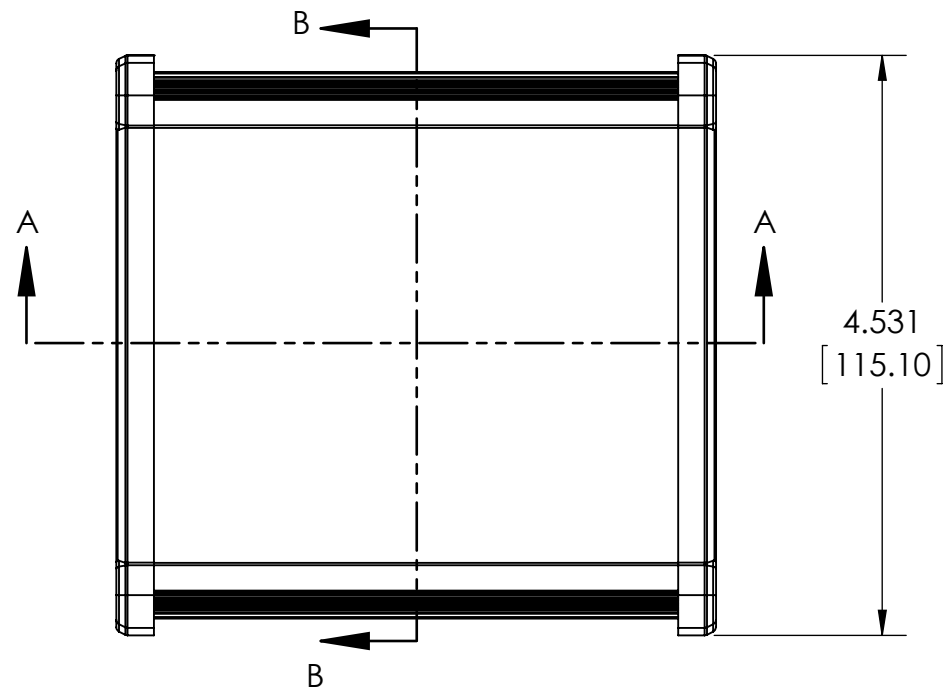
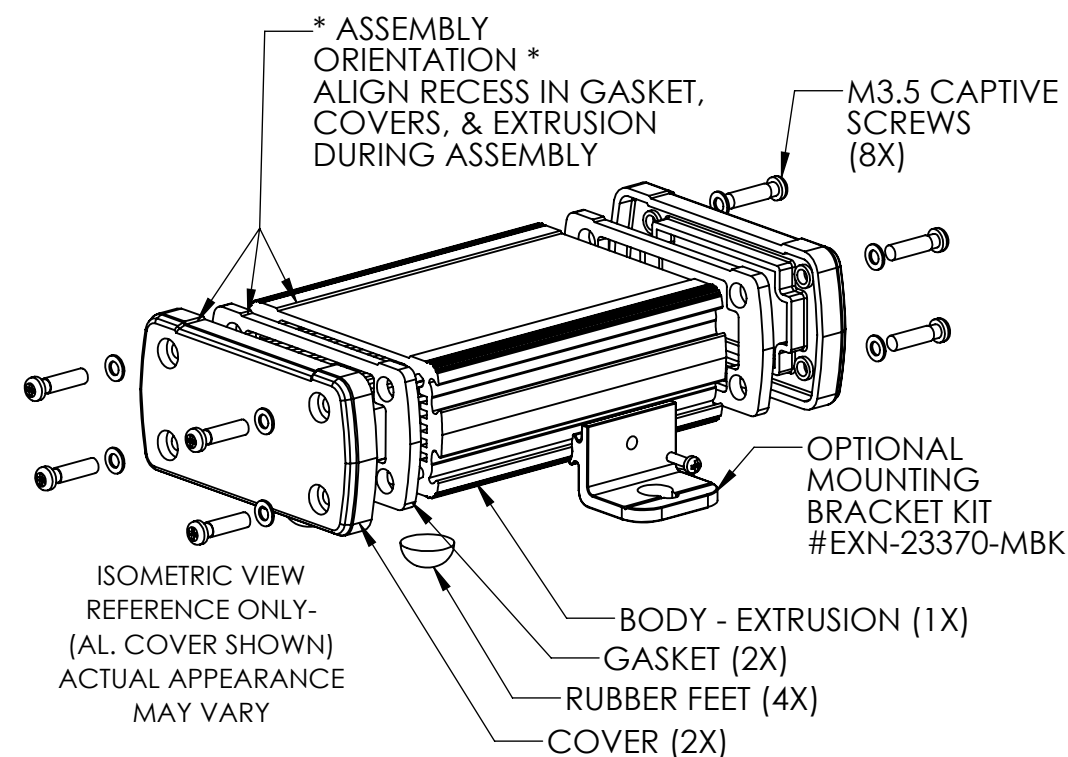
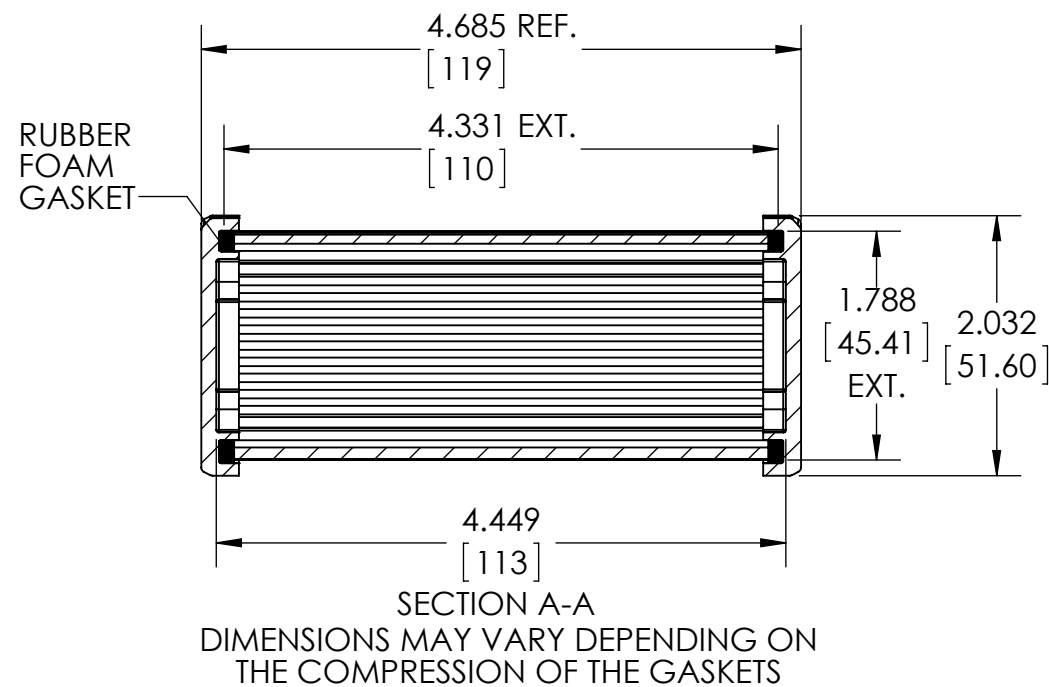
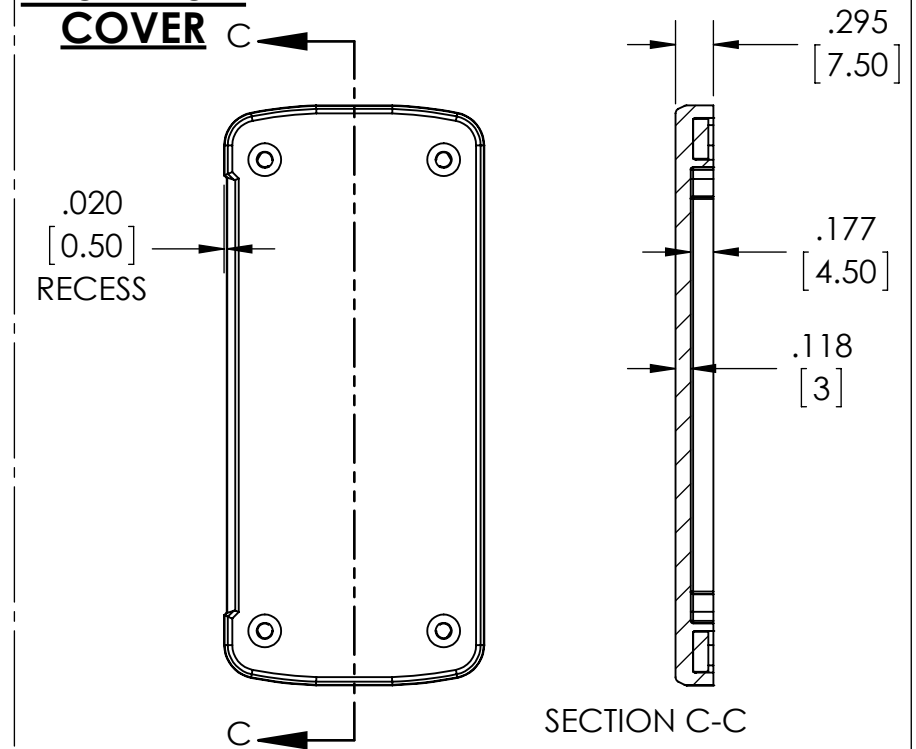
10-23-15

| PART NUMBER | ALUM. COVER | PLASTIC COVER | BODY COLOR |
|---------------|-------------|------------------|------------|
| EXN-23357-BK | BLACK | - | BLACK |
| EXN-23357-BKP | - | BLACK | BLACK |
| EXN-23357-BL | BLACK | - | BLUE |
| EXN-23357-BLP | - | TRANSLUCENT BLUE | BLUE |
| EXN-23357-GD | BLACK | - | GOLD |
| EXN-23357-GDP | - | CLEAR | GOLD |
| EXN-23357-RD | BLACK | - | RED |
| EXN-23357-RDP | - | IR RED | RED |
| EXN-23357-SV | BLACK | - | SILVER |
| EXN-23357-SVP | - | CLEAR | SILVER |

MATERIAL: ALUMINUM EXTRUSION BODY PROVIDED
ALUMINUM COVER (2X) AND GASKETS OR
POLYCARBONATE COVER (2X) KAND GASKETS - NOT ASSEMBLED

DRAWING FOR REFERENCE
WE RESERVE THE RIGHT TO MAKE CHANGES TO OUR
STANDARD PRODUCTS. PLEASE CONSULT WITH BUD INDUSTRIES
PRIOR TO USING THIS DRAWING FOR DESIGN PURPOSE.

DIMENSIONS ARE INCH[MM]

**DIE CAST ALUMINUM COVER****PLASTIC COVER**