



PART NAME

## EXTRUDED ALUMINUM IP65 PCB ENCLOSURES

PART No.

EXN-23357 (SEE TABULATION FOR COMBINATIONS)

REVISION DATE

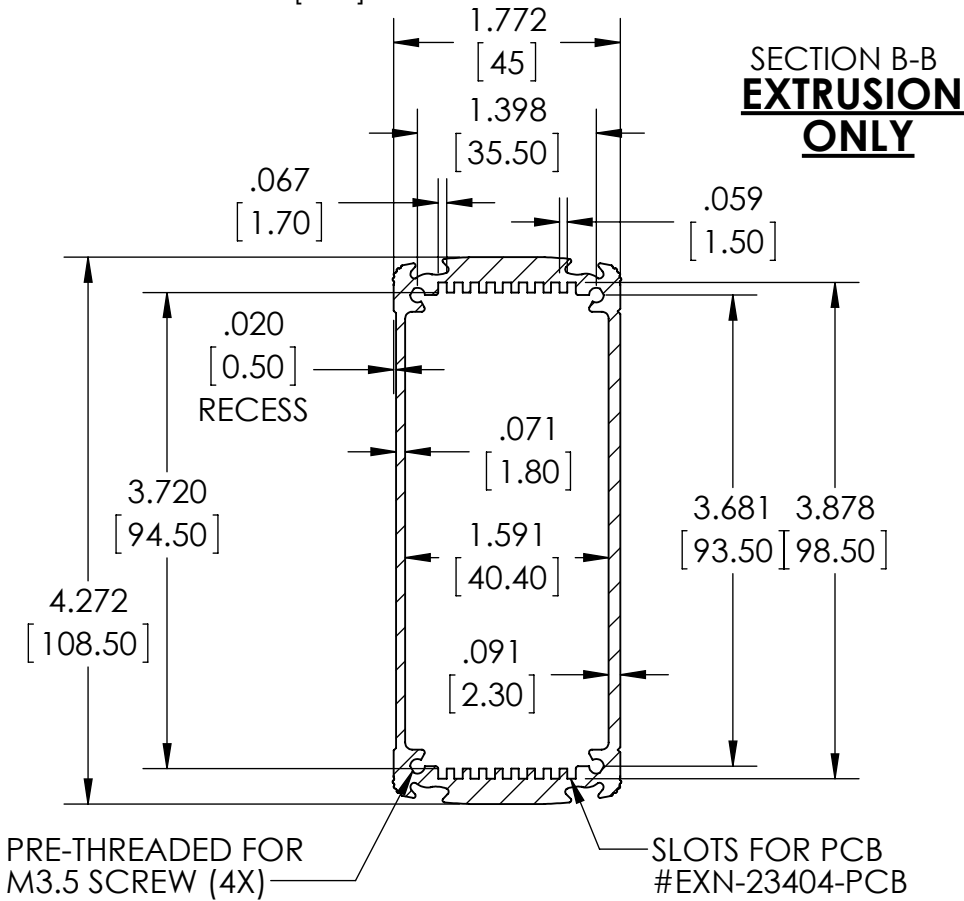
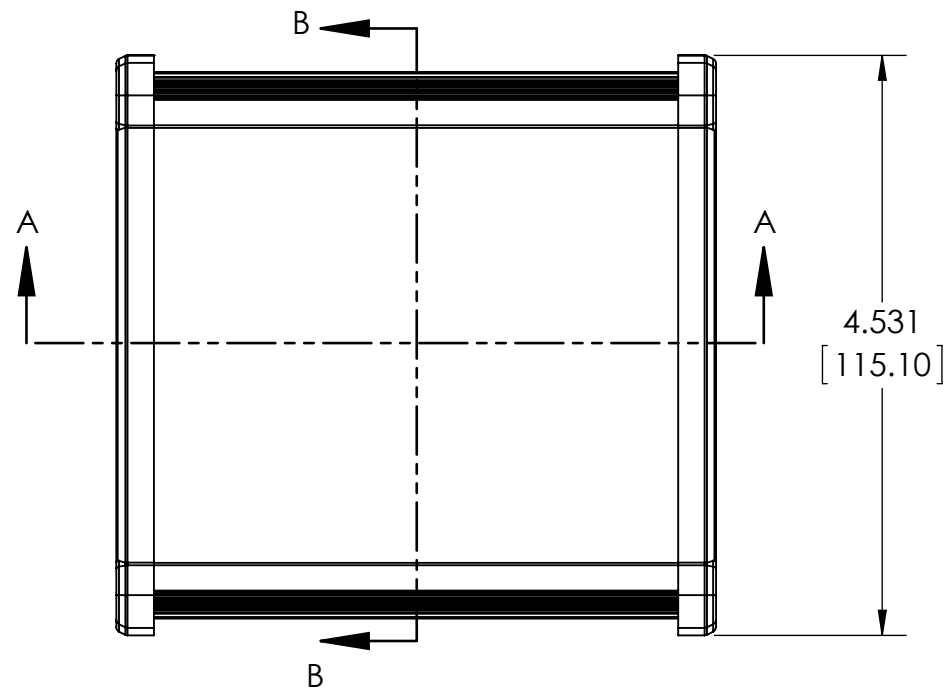
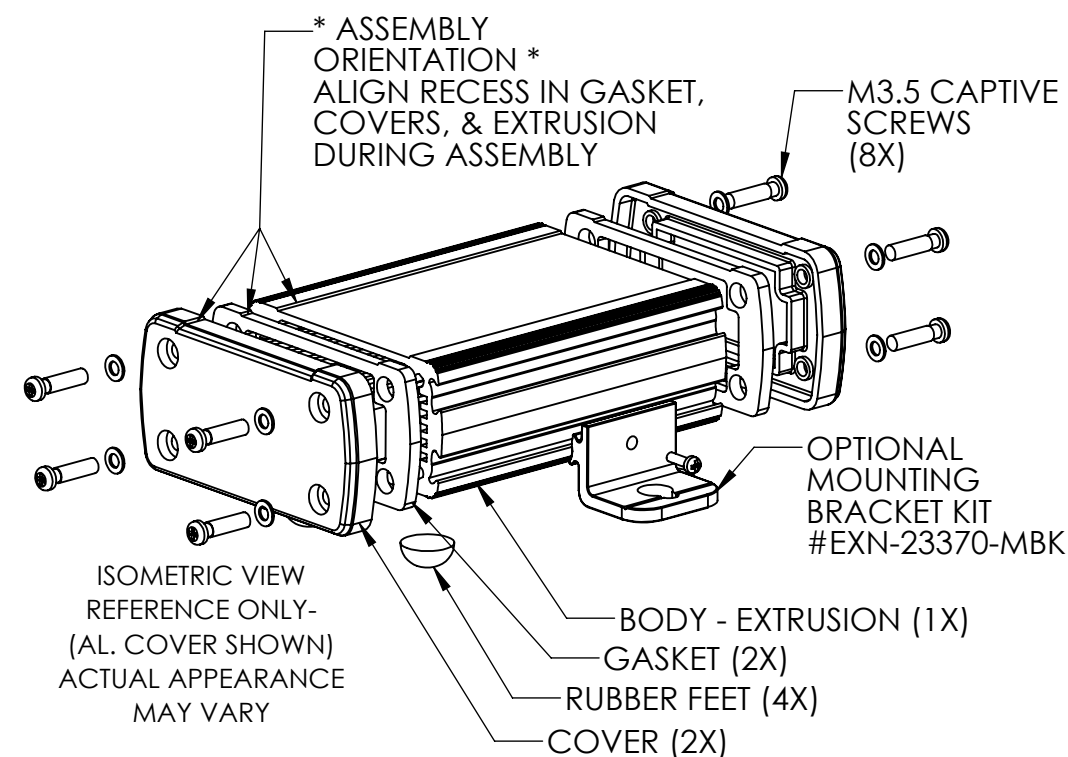
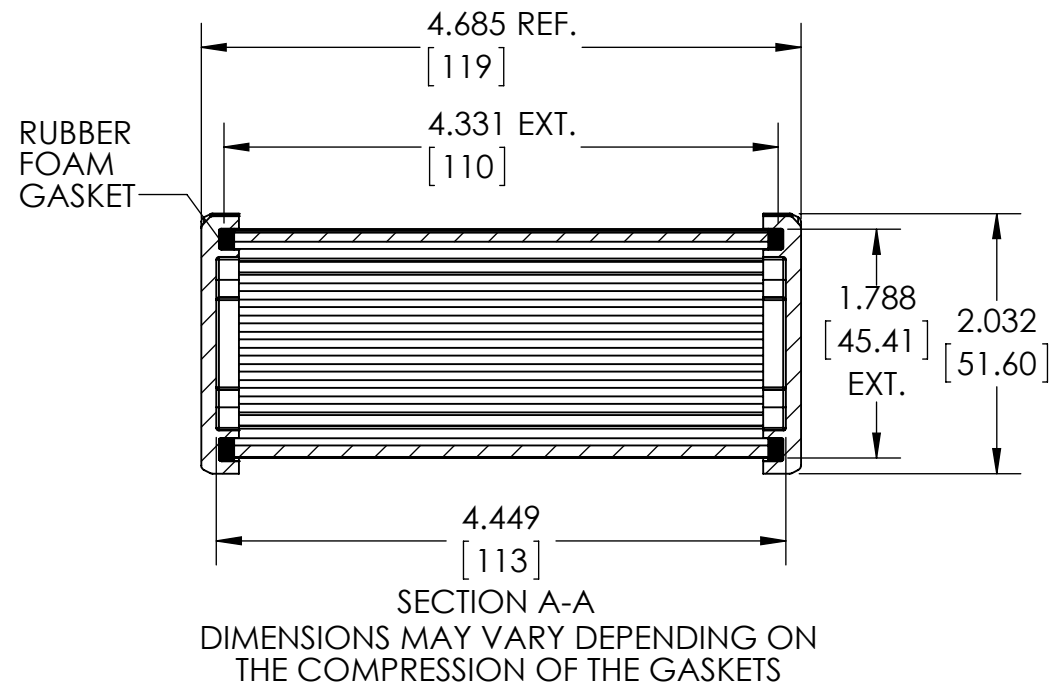
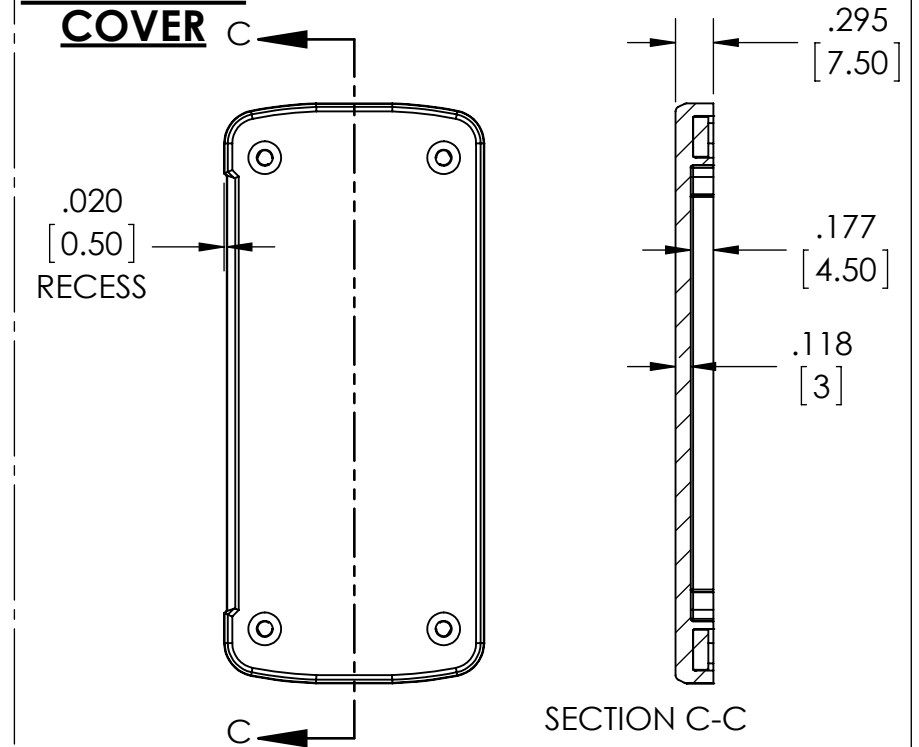
10-23-15

PART NUMBER	ALUM. COVER	PLASTIC COVER	BODY COLOR
EXN-23357-BK	BLACK	-	BLACK
EXN-23357-BKP	-	BLACK	BLACK
EXN-23357-BL	BLACK	-	BLUE
EXN-23357-BLP	-	TRANSLUCENT BLUE	BLUE
EXN-23357-GD	BLACK	-	GOLD
EXN-23357-GDP	-	CLEAR	GOLD
EXN-23357-RD	BLACK	-	RED
EXN-23357-RDP	-	IR RED	RED
EXN-23357-SV	BLACK	-	SILVER
EXN-23357-SVP	-	CLEAR	SILVER

MATERIAL: ALUMINUM EXTRUSION BODY PROVIDED  
ALUMINUM COVER (2X) AND GASKETS OR  
POLYCARBONATE COVER (2X) KAND GASKETS - NOT ASSEMBLED

**DRAWING FOR REFERENCE**  
WE RESERVE THE RIGHT TO MAKE CHANGES TO OUR  
STANDARD PRODUCTS. PLEASE CONSULT WITH BUD INDUSTRIES  
PRIOR TO USING THIS DRAWING FOR DESIGN PURPOSE.

DIMENSIONS ARE INCH[MM]

**DIE CAST ALUMINUM COVER****PLASTIC COVER**