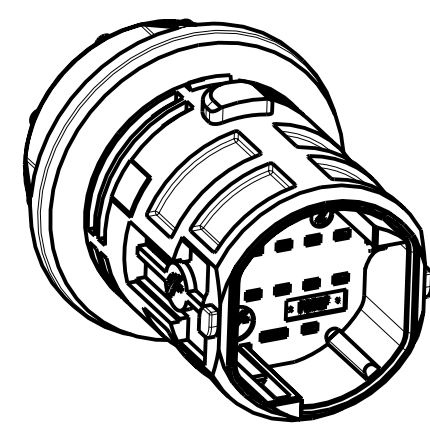
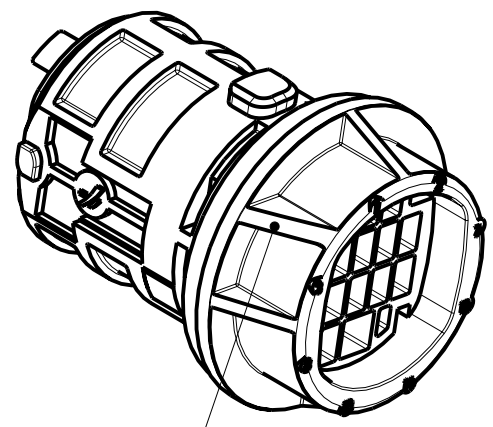
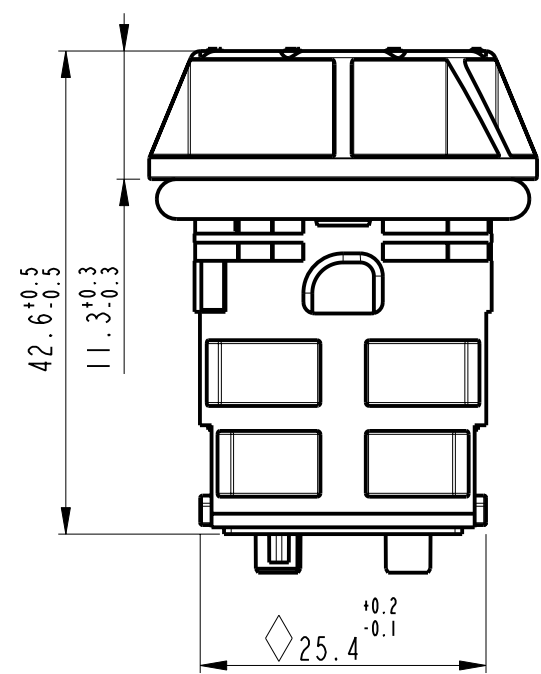
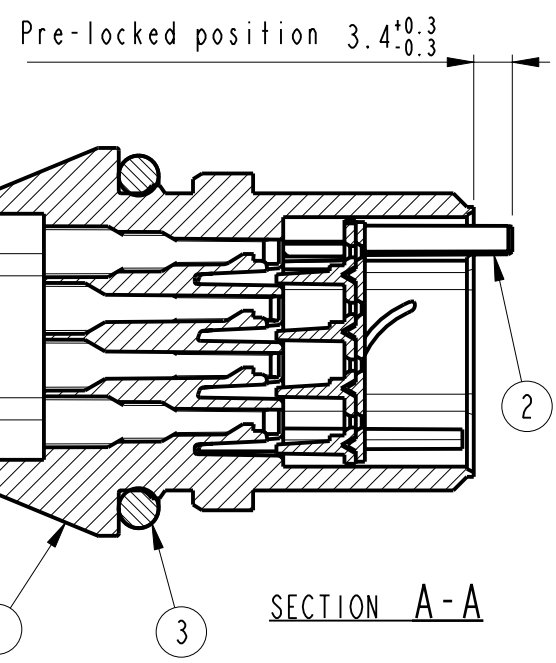
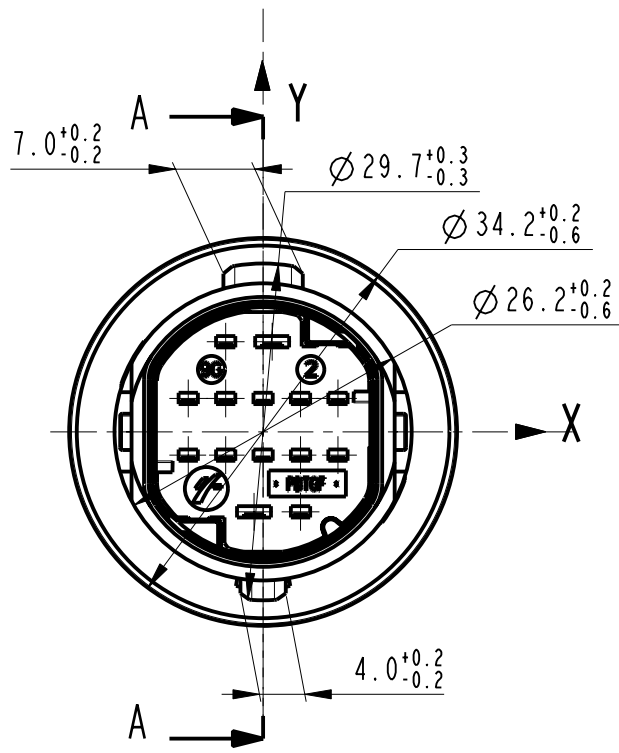


Cavity number	1	2	3	4	5	6	7	8	9	10	11	12	13	14
X dim (±0.1)	0.8	-3.3	6.6	3.3	0.0	-3.3	-6.6	6.6	3.3	0.0	-3.3	-6.6	3.3	-0.8
Y dim (±0.1)	7.95	7.95	2.95	2.95	2.95	2.95	2.95	-2.05	-2.05	-2.05	-2.05	-2.05	-7.05	-7.05

DRAWING NUMBER FSC 309228 REVISION A SHEET 1/1 APPROVAL LEVEL
 NUMERO DISEGNO FSC 309228 REVISIONE A FOGLIO 1/1 LIV. DI APPROVAZIONE
 DRAWING DISEGNO C

STRICTLY CONFIDENTIAL



3	-	-	-	-
2	Secondary lock	WHITE	17261401WO	33513253
1	12+2 Ways male body	BLACK	-	-
3	O-ring	BLACK	-	-
2	Secondary lock	WHITE	DTBMHPA14BKHL	33500396
1	12+2 Ways male body	BLACK	-	-
ITEM	COMPONENT DESCRIPTION	COLOUR	MVL	DELPHI
			ASSY P/N	

ADDITIONAL RIB FOR ORIENTATION

Cavity suitable for contacts:

- SICMA-2 1.5 mm 21ICL2S1120(MVL)/10738196(DELPHI)
- 21ICL2S2120(MVL)/10738197(DELPHI)
- SICMA-2 2.8 mm 21ICL3S1120(MVL)/10738582(DELPHI)
- 21ICL3S2120(MVL)/10738201(DELPHI)
- SICMA-3 1.5 mm 21ICL2S1160(MVL)/10730997(DELPHI)
- 21ICL2S2160(MVL)/15368852(DELPHI)

◇ Capability dimension

14-07742	03/11/14	A		DELPHI P/N ADDED	S.N	F.G	M.C
93/06	12/12/06	12		ADDED P/N 17261401WO			
06/04	02/02/04	11		REMOVED P/N 172661451 CHANGED S.L. COLOUR WAS YELLOW	FG		MC
01/04	09/01/04	10	-	ADDED ORIENTATION RIB - ADDED NEW CODING (172661451) CHANGED DRAWING FORMAT AND NUMER- WAS FSA 309228	FG		MC
ECN-NO. NUMERO -ECN	DATE DD / MM / YY DATA	REVISION REVISIONE	POSITION POSIZIONE	CHANGE DESCRIPTION DESCRIZIONE MODIFICA	DRAWN BY DISEGNATORE	CHK. BY CONTROLLATO	APPR. BY APPROVATO
PRODUCT SPEC. SPEC. DI PRODOTTO	PACKAGING SPEC. SPEC. DI IMBALLAGGIO	APPLICATION SPEC. SPEC. DI APPLICAZIONE	COPYRIGHT DELPHI CORPORATION AND/OR ITS AFFILIATES. ALL RIGHTS RESERVED. REVISED THIS DRAWING IS THE PROPERTY OF DELPHI CORPORATION. THE REPRODUCTION, DISTRIBUTION AND UTILIZATION OF THIS DOCUMENT OR ITS RELATED CAD MATH DATA, AS WELL AS COMMUNICATION OF ANY CONTENT TO OTHERS, WITHOUT EXPRESS AUTHORIZATION IS PROHIBITED.				
TOLERANCES TOLLERANZE	± 0.3mm / ±1'	MATERIAL : MATERIALE :	SURFACE FINISH FINITURA SUPERFICIALE		DELPHI DELPHI PACKARD ELECTRICAL/ELECTRONIC ARCHITECTURE TORINO, ITALY		CAD SYSTEM pro / eng.
COUNTERPART Nr. CONTROPARTE Nr.		COLOUR : COLORE :			C	ISO PROJECTION PROIEZIONE ISO	DIMENSION IN MILLIMETERS DIMENSIONI IN MILLIMETRI
DO NOT SCALE DRAWING DISEGNO FUORI SCALA		TOOL NO.		LOC. CODE NAZIONALITA' IT	DRAWING NUMBER NUMERO DISEGNO		SHEET FOGLIO
DRAWN BY DISEGNATORE	DATE DATA	NAME NOME	TITLE DESCRIZIONE		DRAWING NUMBER NUMERO DISEGNO		SHEET FOGLIO
CHECKED BY CONTROLLATO			DTB 12 + 2 Ways conn. Headlamp version		FSC 309228		1 of 1 di 1
APPROVED BY APPROVATO	13/10/03	G. STELLA	ESR NO. NUMERO ESR	EU -	CAT. NO. NUMERO CAT.	FILE NAME NOME FILE	SCALE SCALA 1:1

FSC 309228

1 of 1