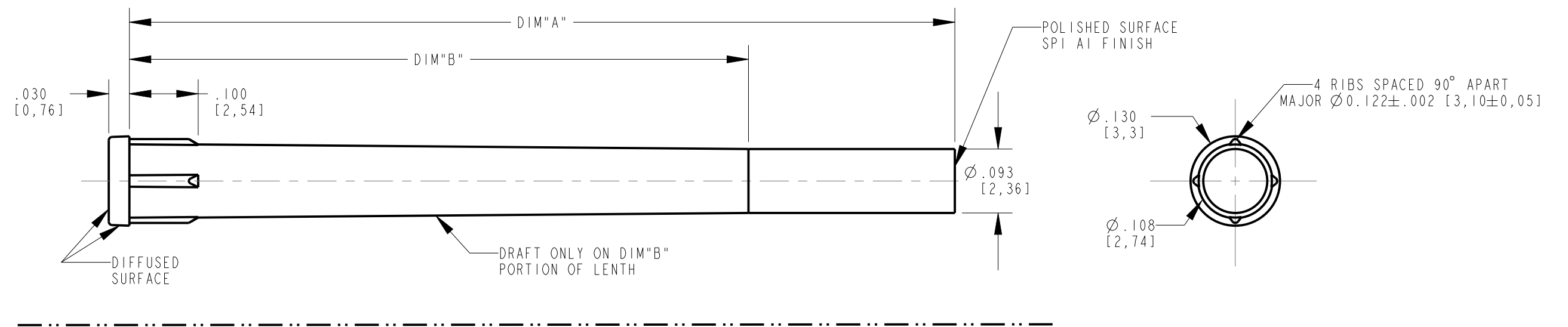


| DIALIGHT PART NUMBER | LENS TYPE | DIM "A" | DIM "B" | REVISIONS | | | |
|----------------------|-----------|---------------|---------|-----------|--------|-----|------|
| | | | | REV | ECN NO | DRN | DATE |
| 515-1301-0125F | FLAT | 0.125 [3,20] | .100 | A | --- | WFB | |
| 515-1301-0250F | FLAT | 0.250 [6,35] | .100 | A | --- | WFB | |
| 515-1301-0300F | FLAT | 0.300 [7,62] | .100 | A | --- | WFB | |
| 515-1301-0350F | FLAT | 0.350 [8,89] | .100 | A | --- | WFB | |
| 515-1301-0400F | FLAT | 0.400 [10,16] | .100 | A | --- | WFB | |
| 515-1301-0500F | FLAT | 0.500 [12,70] | .500 | A | --- | WFB | |
| 515-1301-0600F | FLAT | 0.600 [15,24] | .500 | A | --- | WFB | |
| 515-1301-0700F | FLAT | 0.700 [17,78] | .500 | A | --- | WFB | |
| 515-1301-0800F | FLAT | 0.800 [20,32] | .500 | A | --- | WFB | |
| 515-1301-0900F | FLAT | 0.900 [22,86] | .900 | A | --- | WFB | |
| 515-1301-1000F | FLAT | 1.000 [25,40] | .900 | A | --- | WFB | |
| 515-1301-1200F | FLAT | 1.200 [30,48] | .900 | A | --- | WFB | |
| 515-1302-0125F | CONVEX | 0.125 [3,20] | .100 | A | --- | WFB | |
| 515-1302-0215F | CONVEX | 0.215 [5,46] | .100 | A | --- | WFB | |
| 515-1302-0250F | CONVEX | 0.250 [6,35] | .100 | A | --- | WFB | |
| 515-1302-0350F | CONVEX | 0.350 [8,89] | .100 | A | --- | WFB | |
| 515-1302-0375F | CONVEX | 0.375 [9,53] | .100 | A | --- | WFB | |
| 515-1302-0500F | CONVEX | 0.500 [12,70] | .500 | A | --- | WFB | |
| 515-1302-0600F | CONVEX | 0.600 [15,24] | .500 | A | --- | WFB | |
| 515-1302-0700F | CONVEX | 0.700 [17,78] | .500 | A | --- | WFB | |
| 515-1302-0800F | CONVEX | 0.800 [20,32] | .500 | A | --- | WFB | |
| 515-1302-0900F | CONVEX | 0.900 [22,86] | .900 | A | --- | WFB | |
| 515-1302-1000F | CONVEX | 1.000 [25,40] | .900 | A | --- | WFB | |
| 515-1302-1200F | CONVEX | 1.200 [30,48] | .900 | A | --- | WFB | |
| 515-1303-0125F | DOMED | 0.125 [3,20] | .100 | A | --- | WFB | |
| 515-1303-0250F | DOMED | 0.250 [6,35] | .100 | A | --- | WFB | |
| 515-1303-0300F | DOMED | 0.300 [7,62] | .100 | A | --- | WFB | |
| 515-1303-0350F | DOMED | 0.350 [8,89] | .100 | A | --- | WFB | |
| 515-1303-0400F | DOMED | 0.400 [10,16] | .100 | A | --- | WFB | |
| 515-1303-0500F | DOMED | 0.500 [12,70] | .500 | A | --- | WFB | |
| 515-1303-0600F | DOMED | 0.600 [15,24] | .500 | A | --- | WFB | |
| 515-1303-0700F | DOMED | 0.700 [17,78] | .500 | A | --- | WFB | |
| 515-1303-0800F | DOMED | 0.800 [20,32] | .500 | A | --- | WFB | |
| 515-1303-0900F | DOMED | 0.900 [22,86] | .900 | A | --- | WFB | |
| 515-1303-1000F | DOMED | 1.000 [25,40] | .900 | A | --- | WFB | |
| 515-1303-1200F | DOMED | 1.200 [30,48] | .900 | A | --- | WFB | |

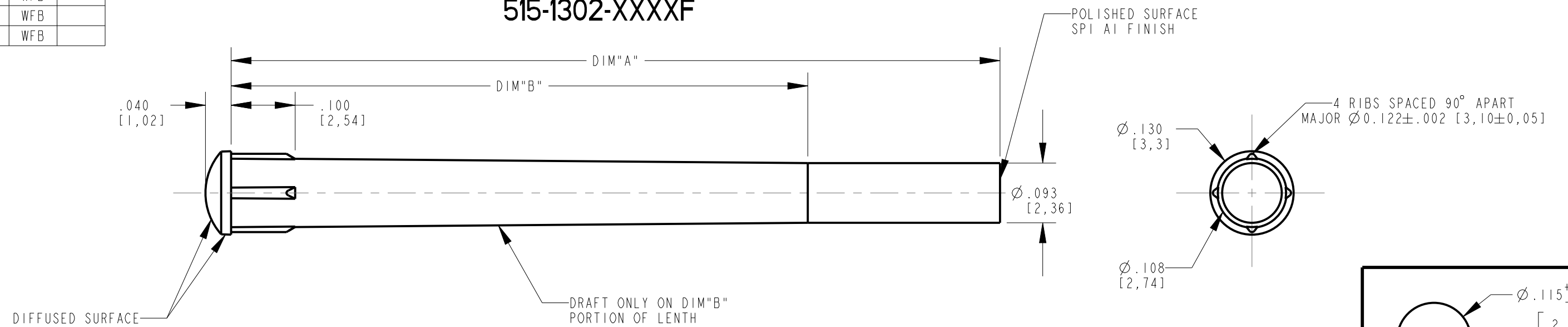
RoHS Compliant 515-130X-XXXXF
 Part Numbers with the "F" suffix ending are RoHS Compliant.
 Example: 515-1302-0250F
 Packaging is marked with "RoHS Compliant" label or equivalent markings.

| REV | ECN NO | REVISIONS | DRN | CKD | APP | DATE |
|-----|--------|---|-----|-----|-----|---------|
| 01 | --- | PRELIMINARY | WFB | | | |
| 02 | --- | ADDED DIM"B" COLUMN FOR DIA. DIMENSION | WFB | | | 4-23-14 |
| 03 | --- | DIM"B" COLUMN REVISED ADDED ϕ .108 | WFB | | | 4-28-14 |
| 04 | --- | DIM"B" WAS INPUT DIA. | WFB | | | 6-11-14 |

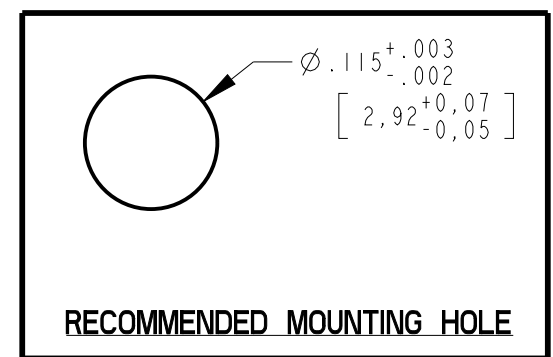
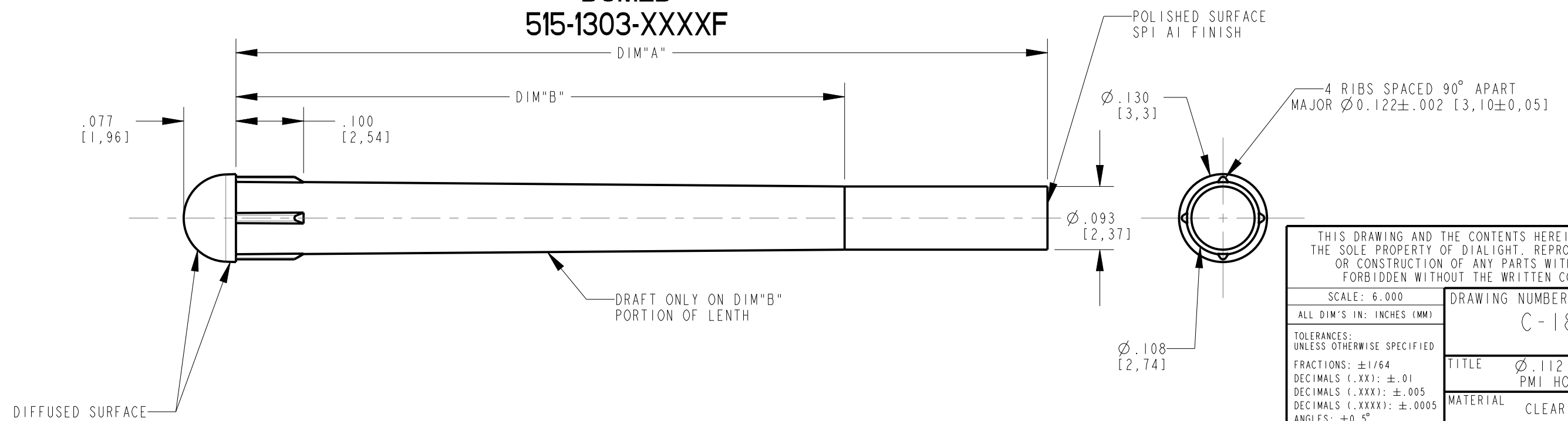
**FLAT
515-1301-XXXXF**



**CONVEX
515-1302-XXXXF**



**DOMED
515-1303-XXXXF**



THIS DRAWING AND THE CONTENTS HEREIN ARE CONFIDENTIAL AND THE SOLE PROPERTY OF DIALIGHT. REPRODUCTION OF THIS DRAWING OR CONSTRUCTION OF ANY PARTS WITHIN THIS DRAWING ARE FORBIDDEN WITHOUT THE WRITTEN CONSENT OF DIALIGHT.

| | | |
|--|---|-----|
| SCALE: 6.000 | DRAWING NUMBER | REV |
| ALL DIM'S IN: INCHES (MM) | C-18064 | 04 |
| TOLERANCES: UNLESS OTHERWISE SPECIFIED | TITLE ϕ .112 PANEL MOUNT LP PMI HOLE SIZE ϕ .115 | |
| FRACTIONS: $\pm 1/64$ | MATERIAL CLEAR POLYCARBONATE | |
| DECIMALS (.XX): $\pm .01$ | | |
| DECIMALS (.XXX): $\pm .005$ | | |
| DECIMALS (.XXXX): $\pm .0005$ | 1501 ROUTE 34 SOUTH FARMINGDALE, NJ 07727 | |
| ANGLES: $\pm 0.5^\circ$ | FSCM 83330 | |
| FINISH: | SHEET 1 OF 1 FAMILY TABLE: | |