

PART NAME: OVAL PUSH BUTTON

SCALE: 1:1

DATE: 2/26/46

DR. BY JVA

THIS DRAWING IS THE PROPERTY OF DAVIES MOLDING COMPANY, IS SUBMITTED SOLELY AS A DESIGN OR ENGINEERING PROJECT. WE ACCEPT NO RESPONSIBILITY WHATSOEVER FOR THE PRACTICAL APPLICATION OF THE PIECES MADE TO THIS DESIGN.



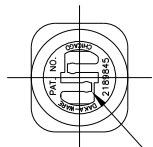
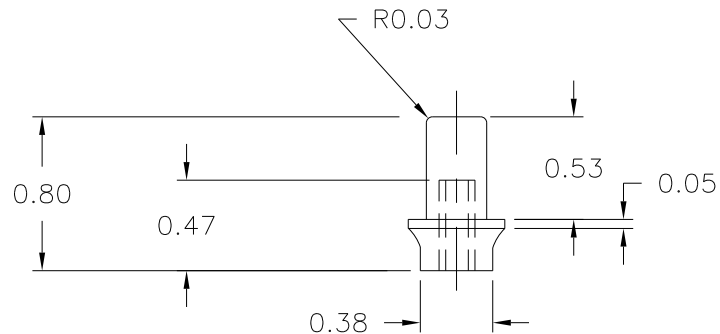
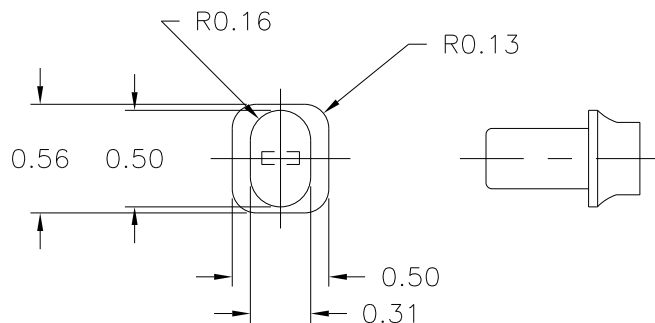
DESIGNERS & MANUFACTURERS OF KNOBS, HANDLES, CASES & CUSTOM PLASTIC COMPONENTS

P/N 5149-A

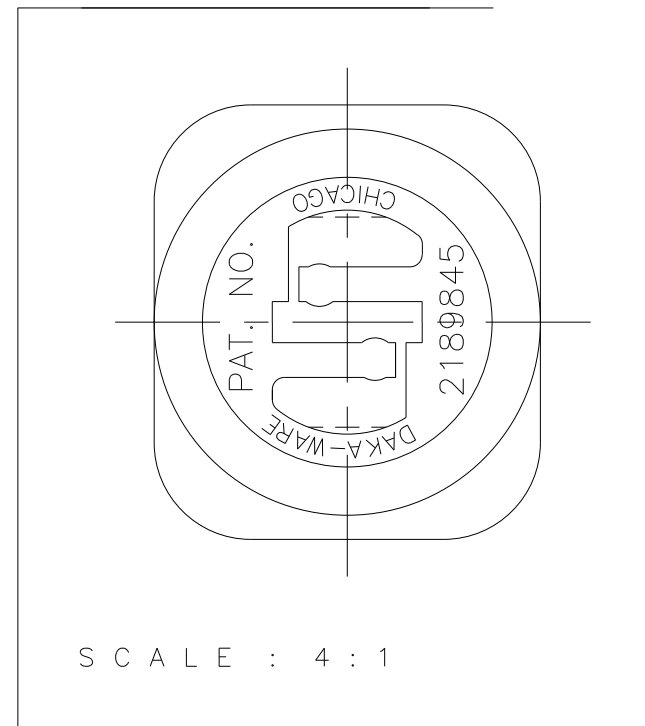
M NO. 5149

CAD/REDRAWN : 8/18/94 : HD

CHASE	5149-A
TOP PLUNGER	5149-A
PIN PLATE	5149-A
S.A.PIN	5149-A



TO FIT .050 X .187 STD. FLAT SHAFT, FRICTION FIT



MATERIAL: #2535 PLENCO PHENOLIC  
COLOR: BLACK

TOLERANCES: UNLESS OTHERWISE SPECIFIED	DO NOT SCALE DRAWING				
DECIMALS: X.XXX ± .005 X.XX  ± .015	MM: X.XX ± 0.15MM X.X  ± 0.4MM				
FRACTIONS ± 1/64	ANG. ± 1°	CHANGES			