

# Specification Sheet

## USB3.0 Flash Drive Handy Steno AH354



**Apacer**  
*Access the best*

**Apacer Technology Inc.**

4<sup>th</sup> Fl., 75 Xintai 5<sup>th</sup> Rd., Sec.1, Hsichih, Taipei Hsien 221, Taiwan

Tel: +886-2-2698-2888 Fax: +886-2-2698-2889

[www.apacer.com](http://www.apacer.com)

## Table of Contents

<u>1. Product Introduction</u> .....	3
<u>2. Product Features</u> .....	3
<u>3. Specification</u> .....	4
<u>4. Physical Dimension</u> .....	4
<u>5. Revision History</u> .....	5

## 1. Product Introduction

AH354 USB3.0 flash drive, which adopts the next-gen USB 3.0 specification with a reading speed of up to 80MB/s and a capacity up to 32GB. It has an exclusive U-ring design, combining the ring with the hidden sliding cover. Its shiny crystal blue color and rounded contour design is definitely a sight to behold!

AH354's "U-ring" design originates from three features of the product itself – **Ultra Fast Speed, Unique Design, and User-friendly Experience**. The unique U-ring integrates the ring with the sliding cover structure, rendering a sleek and clean look. Its pebble-like smooth, rounded contour along with the crystal blue U-ring highlights its elegance and velocity. The U-ring not only prevents the cap from missing but also allows personal accessories to be freely attached to show distinctive style.

AH354 adopts the latest USB 3.0 specification with a reading speed of up to 80MB/s, which is more than 8 times that of USB 2.0. Thanks to the SuperSpeed, it can transmit a 4.37GB video file within 56 seconds, saving a lot of valuable time for the users. AH354 is available in three capacities, 8GB, 16 GB and 32GB, backward compatible with the USB 2.0 interface, and provides a transmission speed of up to 34MB/s even on the USB 2.0 platform.

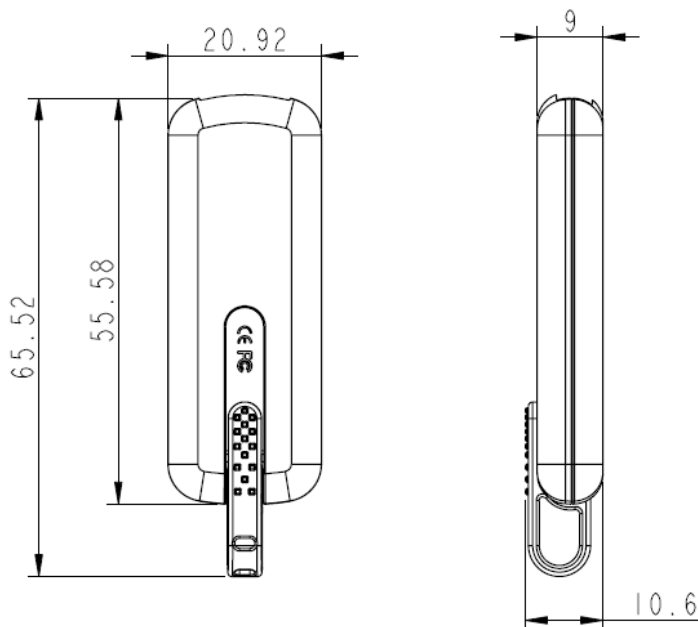
## 2. Features

- Best choice to experience USB 3.0 SuperSpeed transmission
- SuperSpeed USB3.0 and backwards compatible with Hi-speed USB 2.0 interface
- Easy plug & play
- USB powered. No external power or battery required
- Exquisite and slim ; exclusive U-ring design
- RoHS compliant

### 3. Specifications

Specifications	
Interface	Super Speed USB3.0, backwards compatible with USB 2.0 & 1.1
Device Interface Transfer Rate	USB 3.0 interface: up to 5Gbit/second USB 2.0 interface: up to 480Mbit/second
Power supply	USB bus powered No external power required
Power consumption	115mA (max.)
Operating Systems Supported	Windows XP/ Vista/ 7 & Kernel 2.6.33 or above without device drive (Support USB3.0) Mac OS 10.4 or later (Support USB2.0)
Capacity	8GB, 16GB & 32GB
Operating Temperature	0° C to +60° C (32° F to 140° F)
Storage Temperature	-20° C to +60° C (-4° F to +140° F)
Dimensions	(L)65.7 x (W)21 x (H)8.7mm
Weight	9g
Certificate	CE, FCC, BSMI, C-Tick

### 4. Physical Dimension



Unit: mm

## 5. Revision History

Revision No	History	Date	Remarks
1.0	Official Release	June, 2012	