

REVISIONS			
NO.	DESCRIPTION	DATE	BY
A1	NEW DRAWING	07MAY2014	YR CS

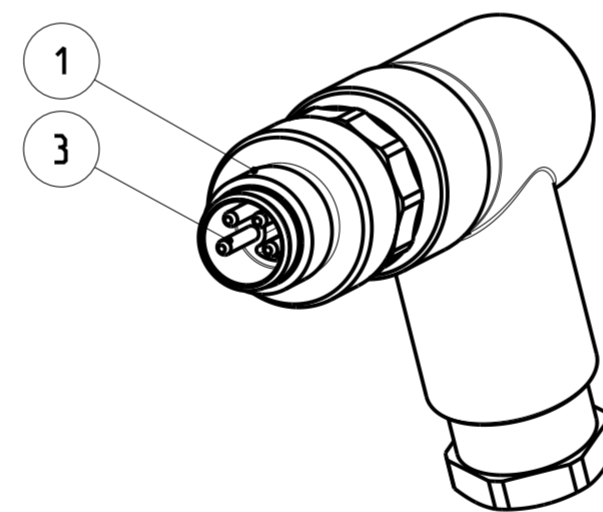
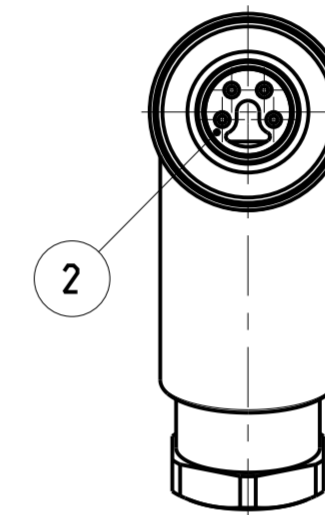
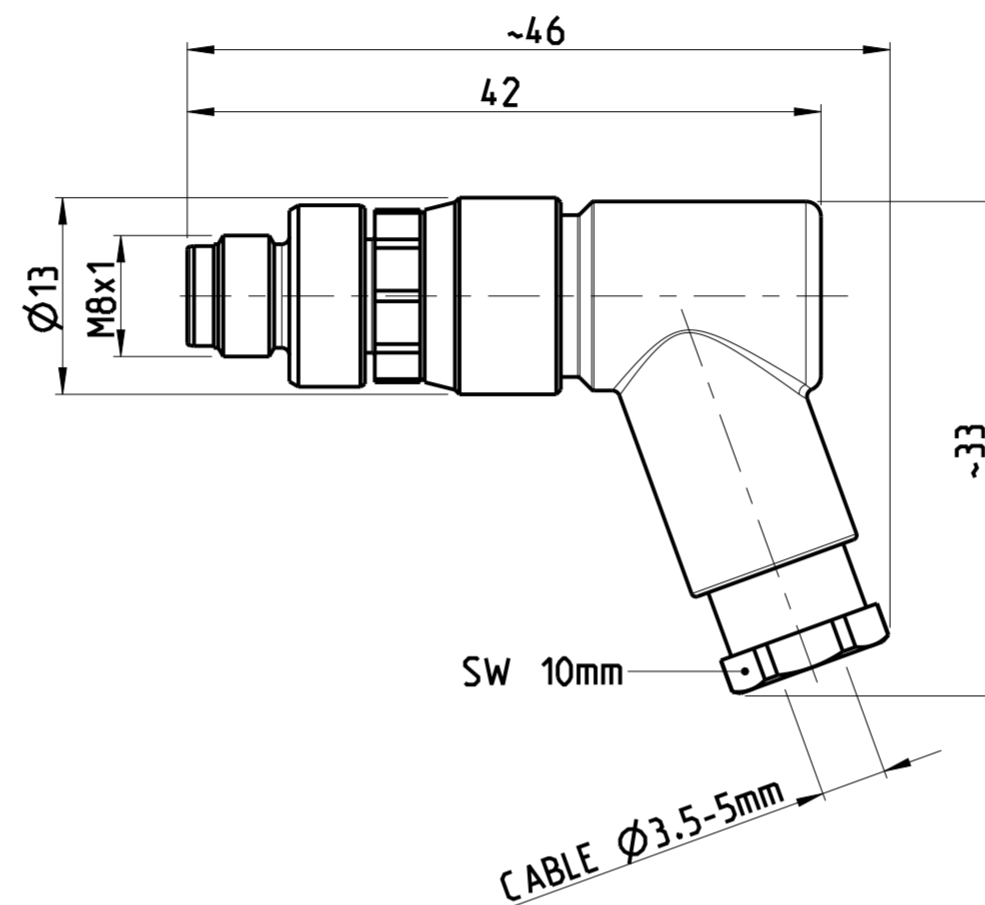
- 1 MATERIAL: ITEM NO. 1: HOUSING - PBT
 ITEM NO. 2: CONTACT BODY - PA
 ITEM NO. 3: CONTACT - CuZn (brass)
 CONTACT FINISH - Au (gold)

2 ALL DIMENSIONS ARE FOR NOMINAL REFERENCE ONLY UNLESS OTHERWISE STATED

3 MEASUREMENT REFERENCE ONLY

4 PACKAGING: 1 PIECE IN A BAG

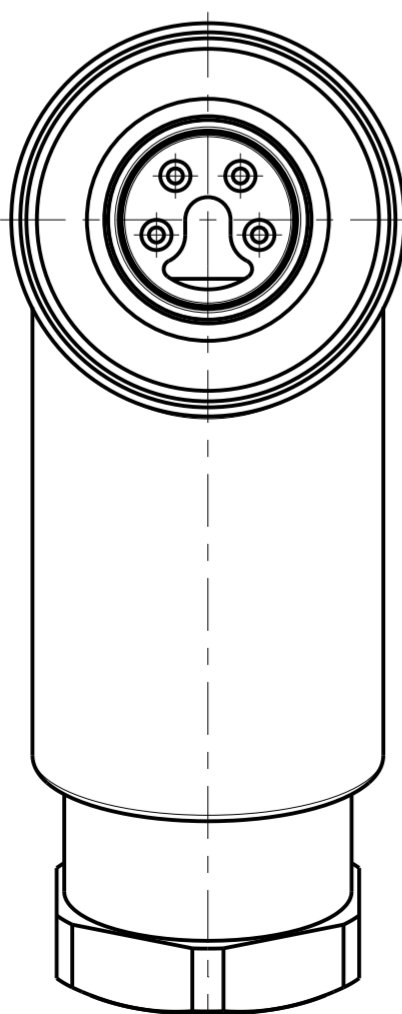
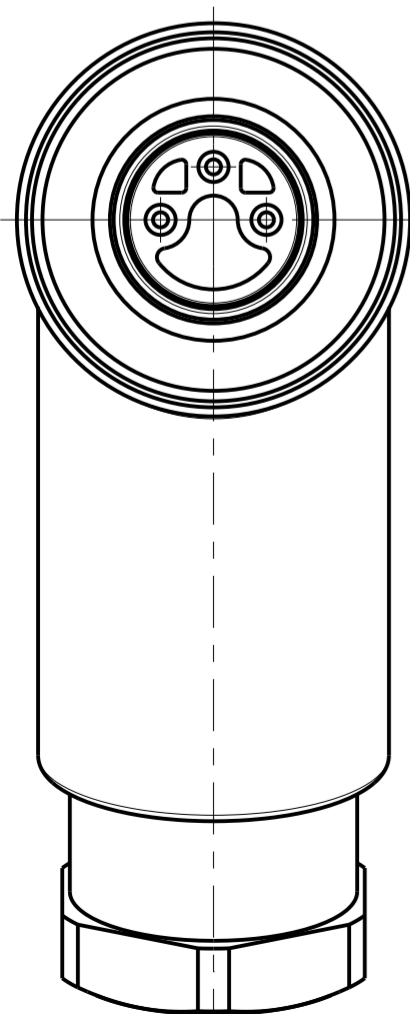
TECHNICAL DATA	0-2120955-1	1-2120955-1
RATED VOLTAGE	60V	30V
RATED IMPULSE VOLTAGE	800V	800V
POLLUTION DEGREE	3	3
OVERVOLTAGE CATEGORY	II	II
MATERIAL GROUP	III	III
RATED CURRENT	4A	4A
VOLUME RESISTIVITY	≤ 3mΩ	≤ 3mΩ
DEGREE OF PROTECTION	IP67	IP67
UPPER TEMPERATURE	+85°C	+85°C
LOWER TEMPERATURE	-40°C	-40°C



PIN ARRANGEMENT (SCALE 4:1)

0-2120955-1

1-2120955-1



1-1 AS SHOWN WIE GEZEICHNET

3.5-5	⚠	4	1-2120955-1
3.5-5	⚠	3	0-2120955-1
CABLE FEED-THROUGH	MATERIAL	NUMBER OF POLES	TE-PART-NO.

DIESE ZEICHNUNG IST EIN KONTROLLIERTES DOKUMENT. BEMASSUNGEN UND TOLERANZEN GEMAESS GPS (ISO STANDARDS).

THIS DRAWING IS A CONTROLLED DOCUMENT. DIMENSIONING AND TOLERANCING PER GPS (ISO STANDARDS).

DIMENSIONS: MASSTABEINHEIT: (mm)	TOLERANCES UNLESS OTHERWISE SPECIFIED: ALLGEMEINTOLERANZEN	DWN YASHKUMAR 07MAY2014
		CHK M. STRELOW 07MAY2014
		APVD C. SCHRETLINGER 07MAY2014
MATERIAL	FINISH/OBERFLAECHE/FARBE	NAME M8 MALE 90 DEG ANGLED FIELD INSTALLABLE. UNSHIELDED CONNECTOR. SOLDER TERMINALS.

Customer Drawing / KUNDENZEICHNUNG

STE TE Connectivity	
SIZE A2	CAGE CODE 00779
DRAWING NO. C-2120955	RESTRICTED TO MUR FÜR
SCALE MASSSTAB 2:1	SHEET BLATT 1 OF 1
REV A1	

SIZE ISO 14405 (E)