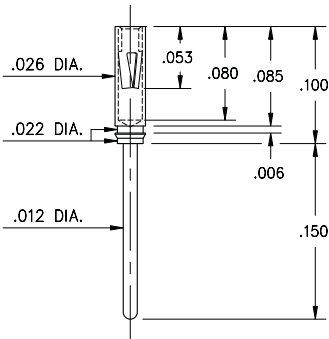




PIN RECEPTACLES
 for .008" - .013" diameter pins (#04 contact)
 and .012" - .017" diameter pins (#10 contact)
 (see specific contact range on page 216)

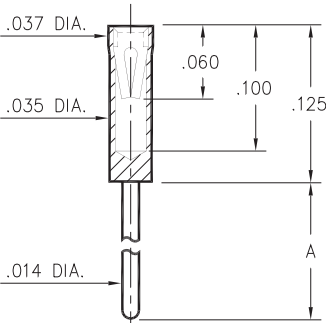


8210



8210-0-15-15-04-27-04-0
 Press-fit in .024/.027 stepped hole

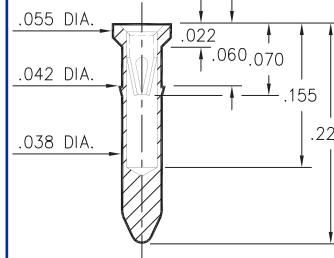
0464



0464-X-15-XX-10-XX-04-0
 Solder mount in .016 min. mounting hole

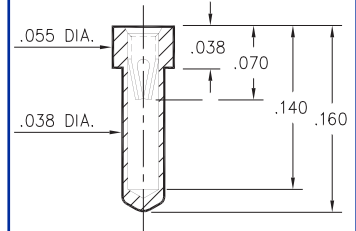
Basic Part Number	Length A
0464-0	.125
0464-1	.250

9225



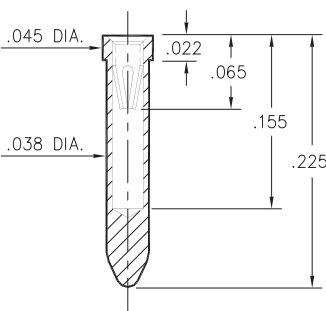
9225-0-15-XX-10-XX-10-0
 Press-fit in .039 mounting hole

0529



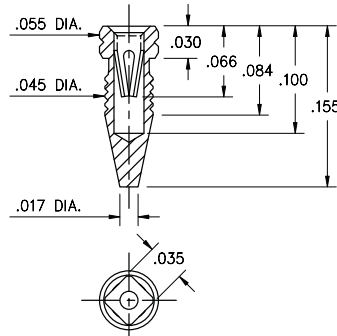
0529-0-15-XX-10-XX-10-0
 .040 min. mounting hole

8947



8947-0-15-XX-10-XX-10-0
 Solder mount in .040 min. mounting hole

4993



4993-0-15-15-10-27-10-0
 Compliant press-fit in .041 - .044 Dia. mounting hole

SPECIFICATIONS

SHELL MATERIAL:
 Brass Alloy 360, 1/2 Hard

CONTACT MATERIAL:
 Beryllium Copper Alloy 172, HT

DIMENSION IN INCHES
TOLERANCES ON:
 LENGTHS: ±.005
 DIAMETERS: ±.002
 ANGLES: ± 2°

ORDER CODE: XXXX - X - XX - XX - XX - XX - XX - 0

BASIC PART #

SPECIFY SHELL FINISH:

- 01 200μ" TIN/LEAD OVER NICKEL
- ◇ 80 200μ" TIN OVER NICKEL (RoHS)
- ◇ 15 10μ" GOLD OVER NICKEL (RoHS)

SPECIFY CONTACT FINISH:

- 02 100μ" TIN/LEAD OVER NICKEL
- ◇ 84 100μ" TIN OVER NICKEL (RoHS)
- ◇ 27 30μ" GOLD OVER NICKEL (RoHS)

SELECT CONTACT

#04 or #10 CONTACT (DATA ON PAGE 216)
 (CONTACTS #04 & #10 NOT INTERCHANGEABLE)

