

NOTES:

1. MATERIAL:
 - 1.1 HOUSING:HIGH TEMPERATURE THERMOPLASTIC,UL94V-0,COLOR:BLACK.
 - 1.2. CONTACT:COPPER ALLOY.
 - 1.3. SOLDER PEG:STAINLESS STEEL.

2. FINISH:

- 2.1 CONTACT:
 - UNDERPLATING NICKEL 50u" MIN OVERALL
 - MATING AREA:GOLD PLATING,THICKNESS SEE TABLE
 - SOLDER AREA:GOLD FLASH 1u"MIN.

2.2 SOLDER PEG:

- UNDERPLATING NICKEL 50u" MIN OVERALL
- 80u"MIN MATTE TIN ON SURFACE

3. DATE CODE : YYWDLX

- YY: YEAR (09: 2009)
- WW: WEEK (25: THE 25TH WEEK)
- D: DAY (1~7: SUNDAY~SATURDAY)
- L: LINE NUMBER OF ASSEMBLY (A: LINE A)
- X: D OR N (D: DAY; N: NIGHT)

4.PRODUCT SPECIFICATION SEE FCI GS-12-1195

5.PART NUMBER DESCRIPTION:

10128787-00XRFL

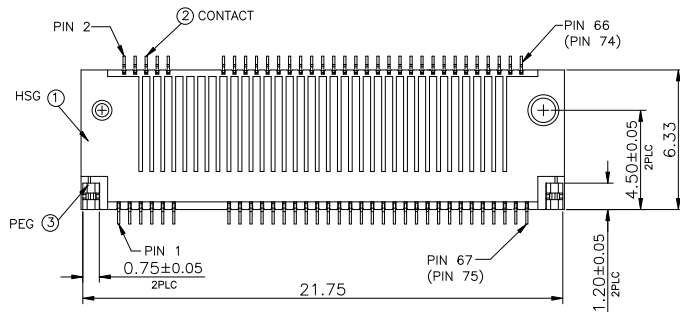
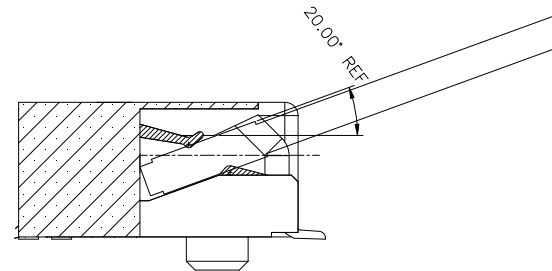
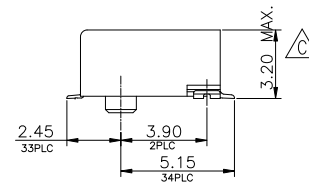
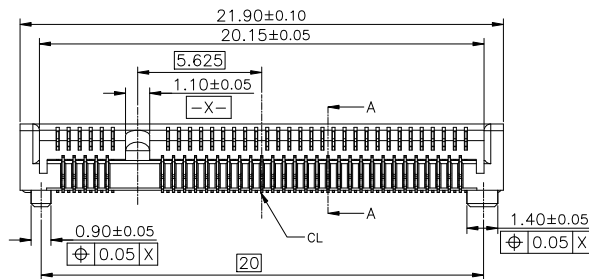
LF:LEAD FREE & RoHS COMPLIANCE

PACKAGE CODE:

R: TAPE & REEL PACKING

PLATING CODE:

- 1: GOLD FLASH ON CONTACT AREA
- 4: 15u"Min GOLD ON CONTACT AREA
- 5: 30u"Min GOLD ON CONTACT AREA



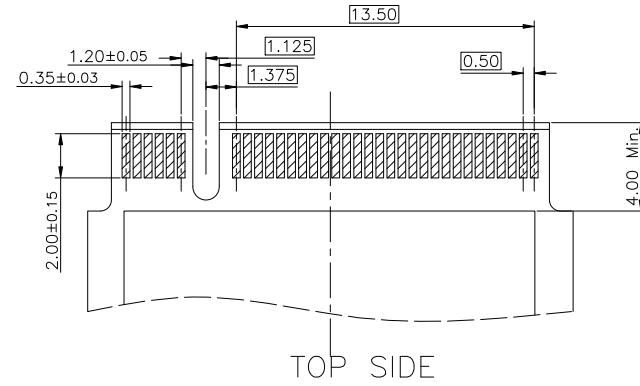
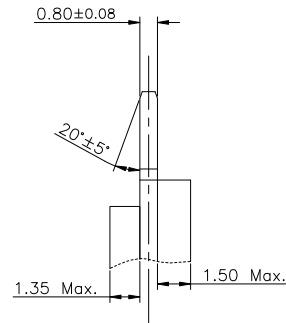
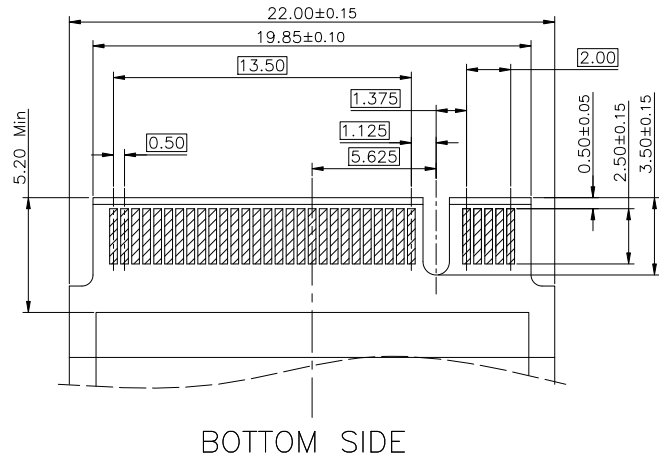
30u" Au	10128787-005RLF
15u" Au	10128787-004RLF
GOLD FLASH	10128787-001RLF
CONTACT AREA	FCI P/N

mat'l. code		surface	tolerance	projection	product family
ltr	ecn no	dr	date	tolerances unless otherwise specified	title
A		BF	2013-04-18	.X ±0.3	M.2 CONNECTOR 3.2H_STD_KEY B
B	ELX-T-19318	BF	2014-11-10	.XX ±0.25	
C	ELX-T-20858	TAI	2015-05-11	X°±2° .XXX ±0.05	
		dr	BEER FU	2013-05-02	scale
		enr	BEER FU	2013-05-02	dwg no
		chr	BEER FU	2013-05-02	sheet 1 of 3
		appd	BEER FU	2013-05-02	size
sheet index	revision sheet	C	C	C	10128787
		1	2	3	A4
					type
					Customer Drawing

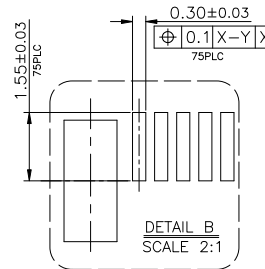
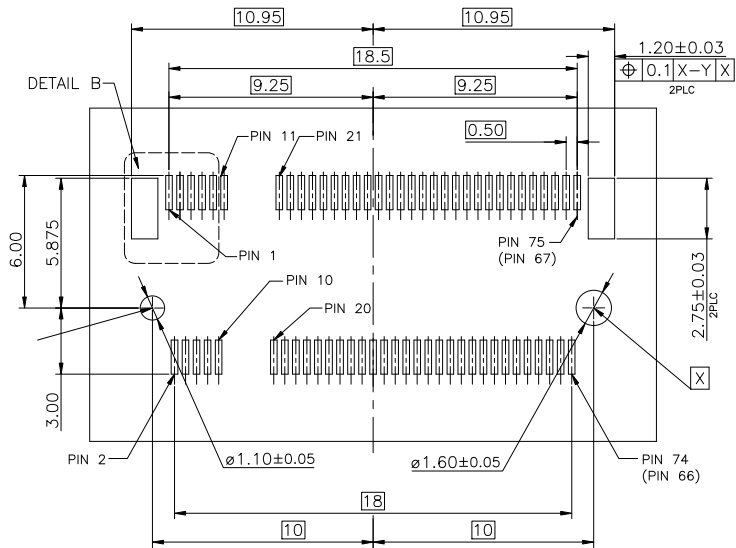
HF
Halogen Free



PLUG PCB



RECOMMENDED M.2(NGFF) MOUNTING TYP PCB_LAYOUT



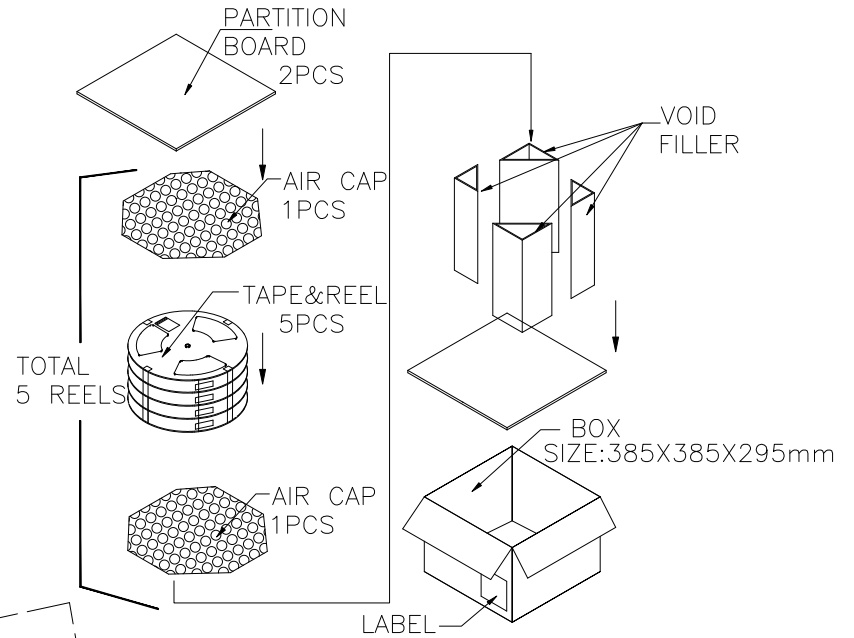
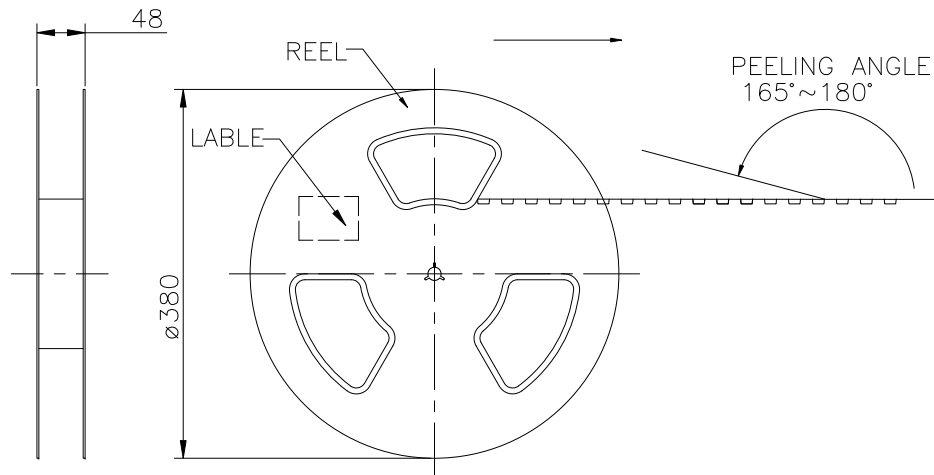
	dwg no	sheet 2 of 3	size
	10128787		A4
	type Customer Drawing		

sheet index	revision sheet	C	C	C											
	1	2	3												

HF
Halogen Free

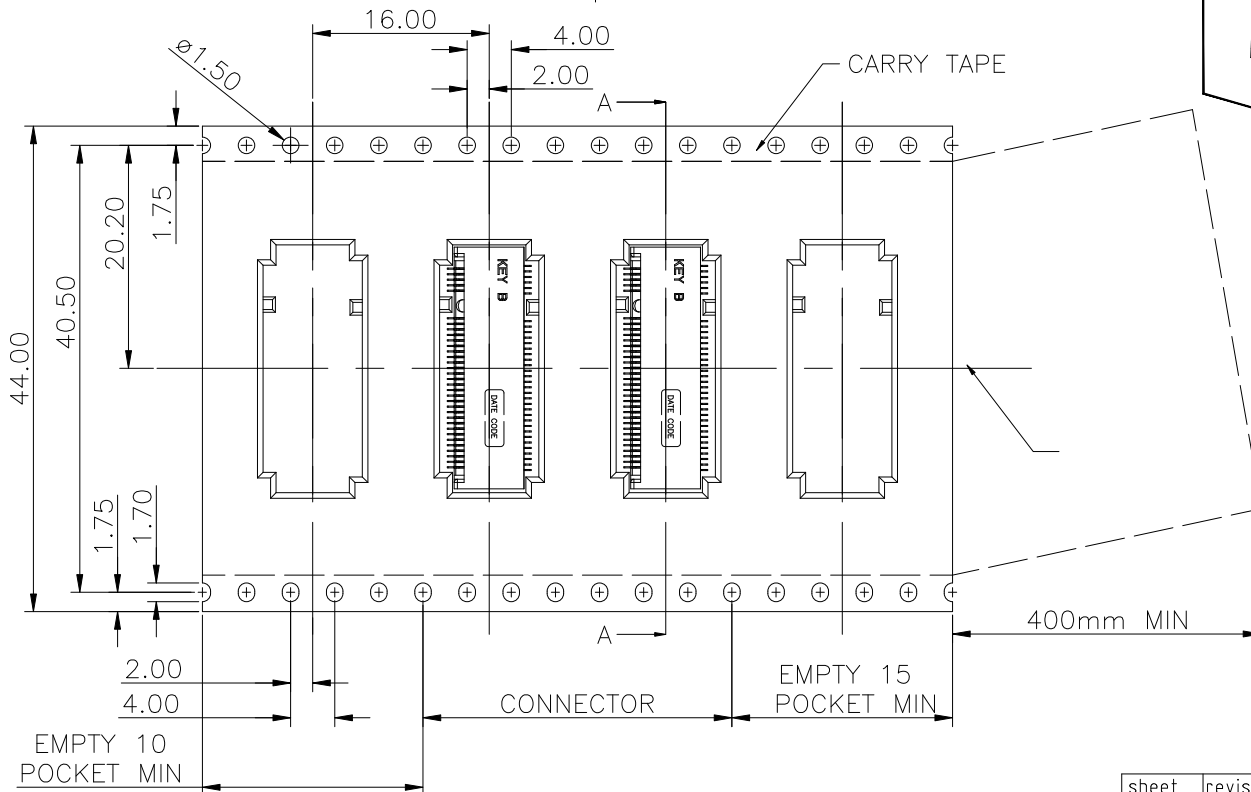


FEEDING DIRECTION



A

A



B

B

1400	5	7000	7.85Kg	3.5Kg
PCS/ TAPE	REELS/ BOX	PCS/BOX	GROSS WEIGHT	NET WEIGHT



	dwg no	sheet 3 of 3	size
	10128787		A4
	type Customer Drawing		

sheet index	revision sheet	C	C	C															
	1	2	3																