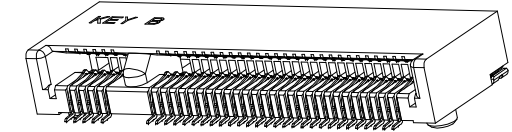
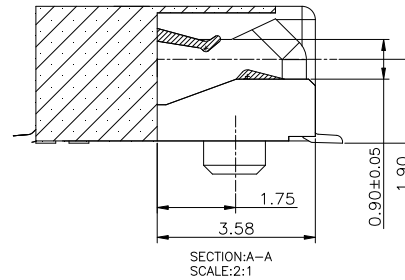
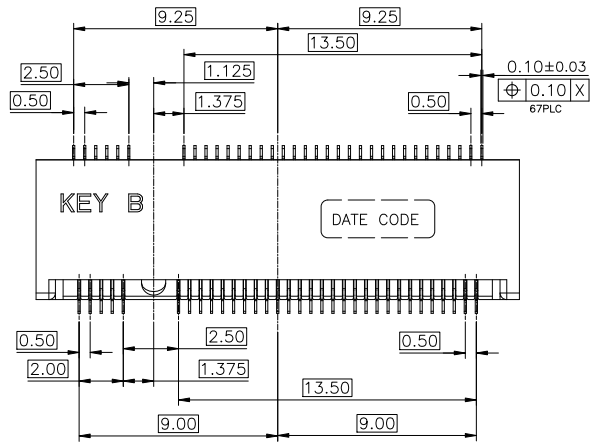


**HF**  
Halogen Free



NOTES:

1. MATERIAL:
  - 1.1 HOUSING:HIGH TEMPERATURE THERMOPLASTIC,UL94V-0,COLOR:BLACK.
  - 1.2. CONTACT:COPPER ALLOY.
  - 1.3. SOLDER PEG:STAINLESS STEEL.

2. FINISH:

- 2.1 CONTACT:
  - UNDERPLATING NICKEL 50u" MIN OVERALL
  - MATING AREA:GOLD PLATING,THICKNESS SEE TABLE
  - SOLDER AREA:GOLD FLASH 1u"MIN.

2.2 SOLDER PEG:

- UNDERPLATING NICKEL 50u" MIN OVERALL
- 80u"MIN MATTE TIN ON SURFACE

3. DATE CODE : YYWDLX

- YY: YEAR (09: 2009)
- WW: WEEK (25: THE 25TH WEEK)
- D: DAY (1~7: SUNDAY~SATURDAY)
- L: LINE NUMBER OF ASSEMBLY (A: LINE A)
- X: D OR N (D: DAY; N: NIGHT)

4.PRODUCT SPECIFICATION SEE FCI GS-12-1195

5.PART NUMBER DESCRIPTION:

10128787-00XRFL

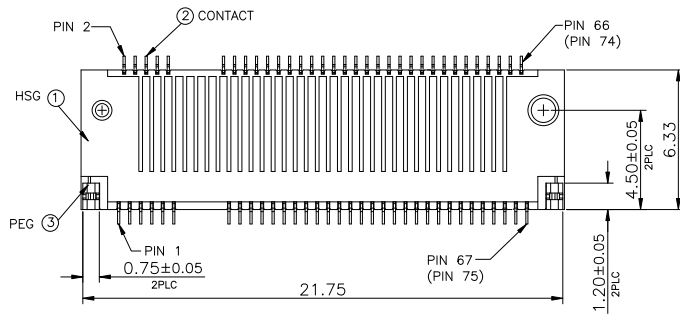
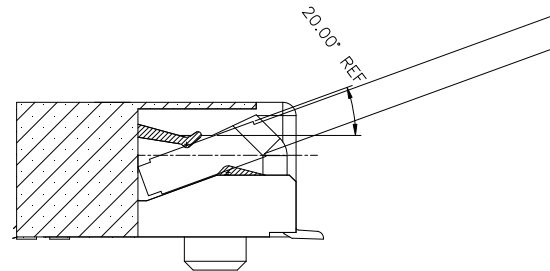
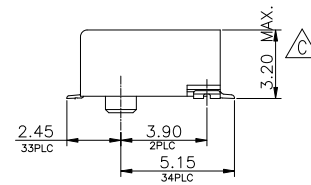
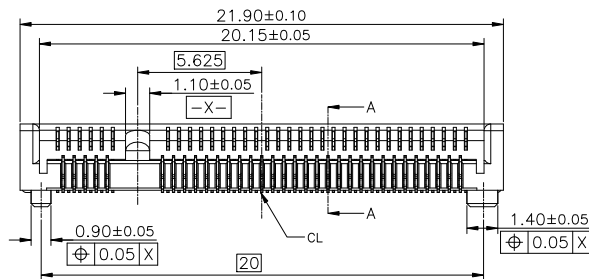
LF:LEAD FREE & RoHS COMPLIANCE

PACKAGE CODE:

R: TAPE & REEL PACKING

PLATING CODE:

- 1: GOLD FLASH ON CONTACT AREA
- 4: 15u"Min GOLD ON CONTACT AREA
- 5: 30u"Min GOLD ON CONTACT AREA



|              |                 |
|--------------|-----------------|
| 30u" Au      | 10128787-005RLF |
| 15u" Au      | 10128787-004RLF |
| GOLD FLASH   | 10128787-001RLF |
| CONTACT AREA | FCI P/N         |

| mat'l. code |                | surface | tolerance  | projection                            | product family                           |
|-------------|----------------|---------|------------|---------------------------------------|--|
| ltr         | ecn no         | dr      | date       | tolerances unless otherwise specified | title<br>M.2 CONNECTOR<br>3.2H_STD_KEY B |
| A           |                | BF      | 2013-04-18 | angles                                |  |
| B           | ELX-T-19318    | BF      | 2014-11-10 | in/out                                |  |
| C           | ELX-T-20858    | TAI     | 2015-05-11 | X°±2°                                 |  |
|             |                | dr      | BEER FU    | 2013-05-02                            | scale                                    |
|             |                | enr     | BEER FU    | 2013-05-02                            |  |
|             |                | chr     | BEER FU    | 2013-05-02                            |  |
|             |                | appd    | BEER FU    | 2013-05-02                            |  |
| sheet index | revision sheet | C       | C          | C                                     | 3  |

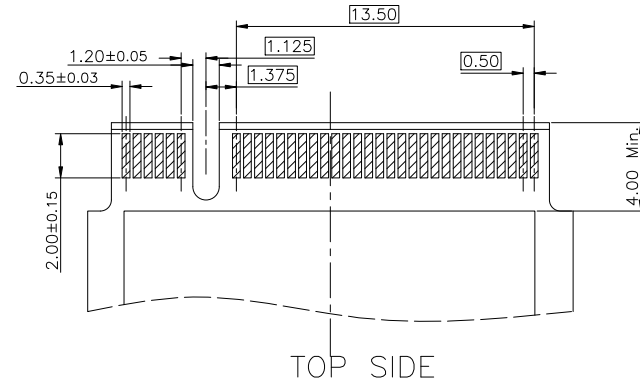
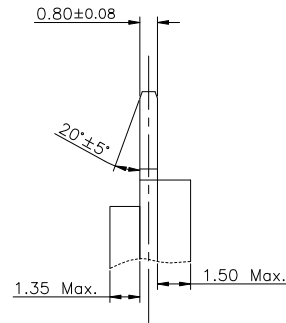
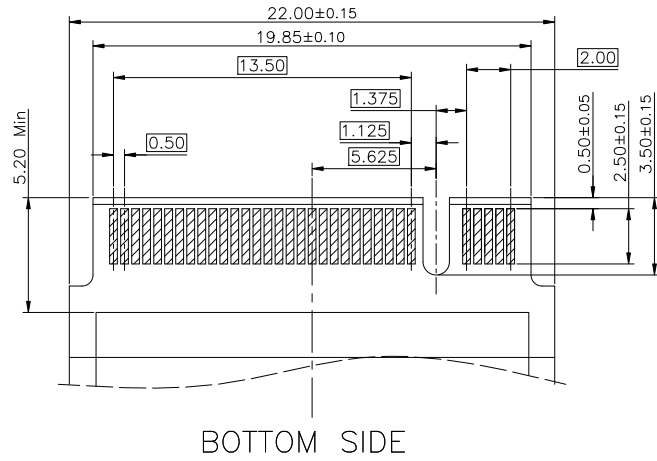


dwg no 10128787 sheet 1 of 3 size A4  
type Customer Drawing

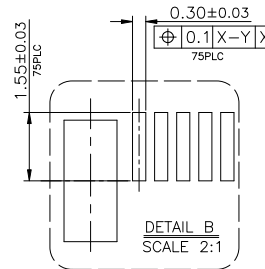
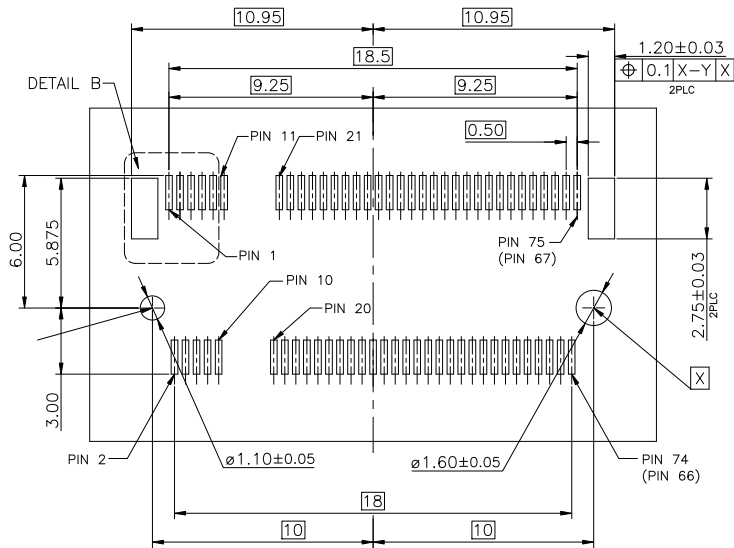
**HF**  
Halogen Free



### PLUG PCB



### RECOMMENDED M.2(NGFF) MOUNTING TYP PCB\_LAYOUT



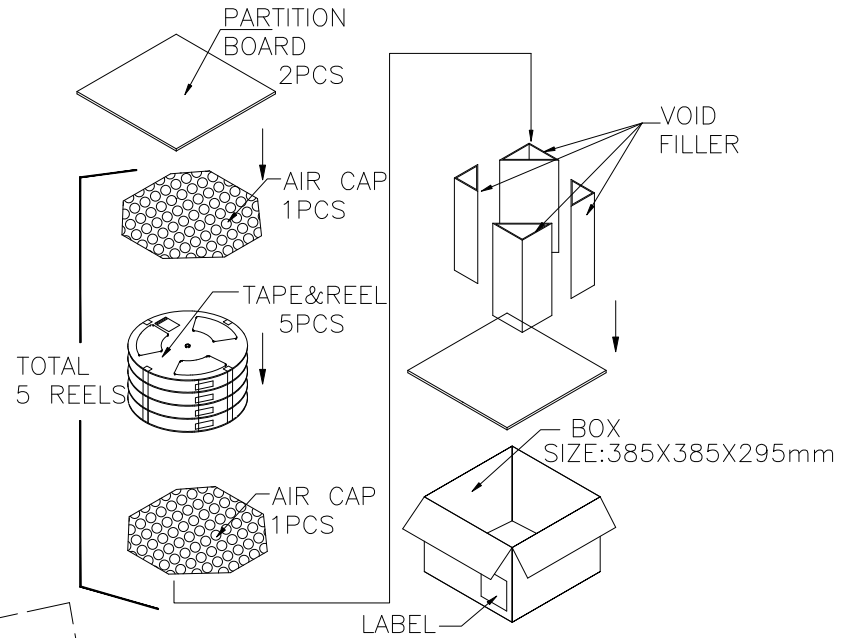
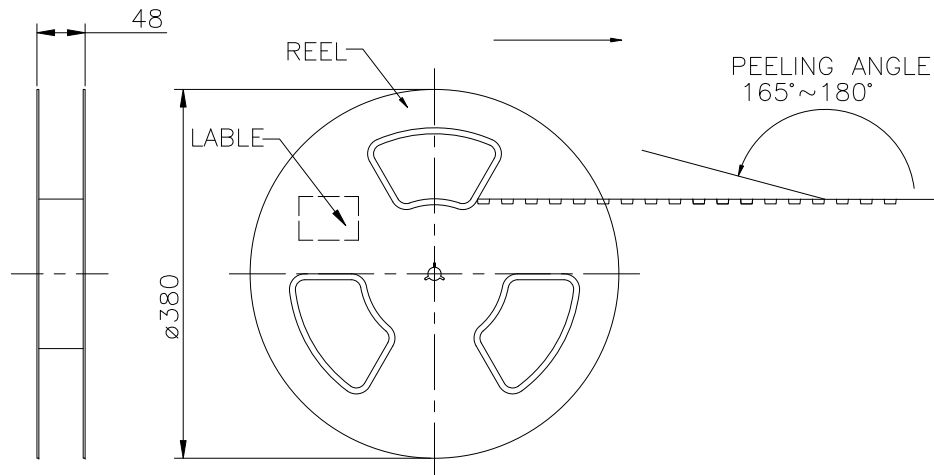
|  |                       |              |      |
|--|-----------------------|--------------|------|
|  | dwg no                | sheet 2 of 3 | size |
|  | 10128787              |              | A4   |
|  | type Customer Drawing |              |      |

| sheet index | revision sheet | C | C | C |  |  |  |  |  |  |  |  |  |  |  |
|-------------|----------------|---|---|---|--|--|--|--|--|--|--|--|--|--|--|
|             | 1              | 2 | 3 |   |  |  |  |  |  |  |  |  |  |  |  |

**HF**  
Halogen Free

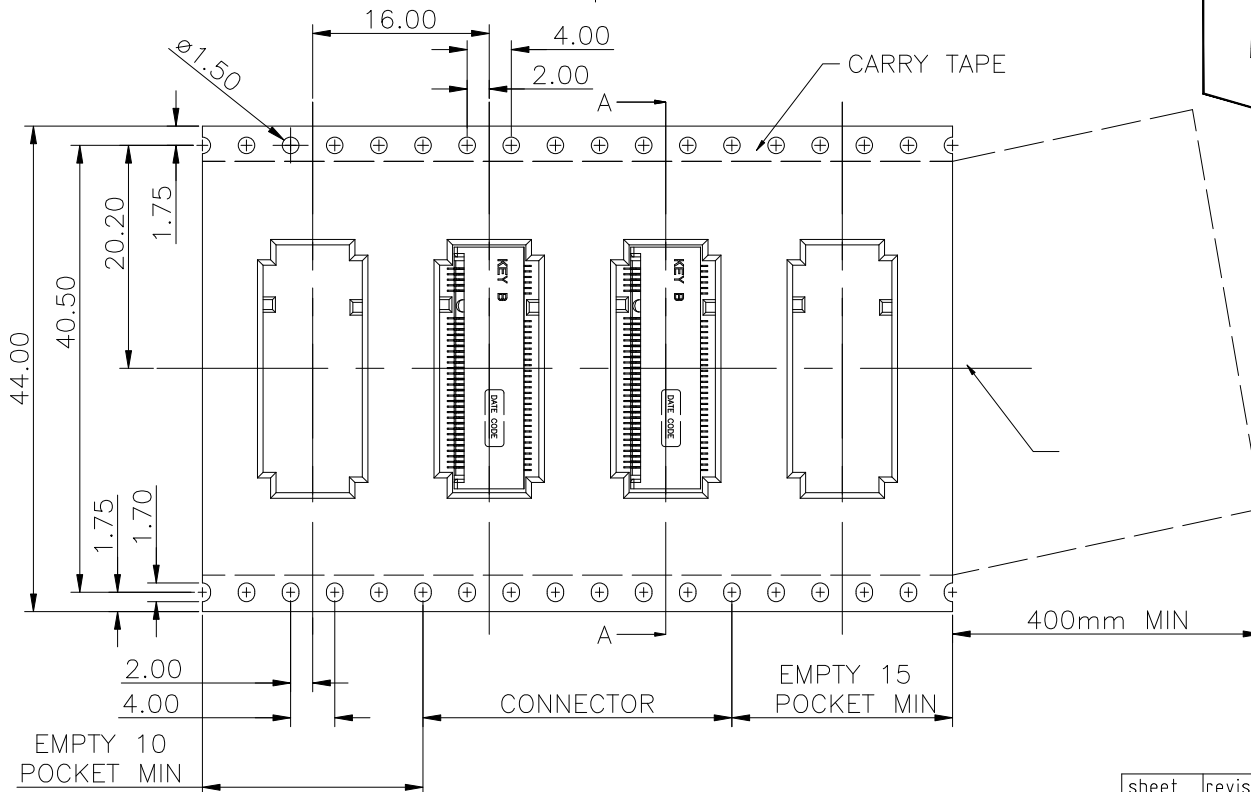


# FEEDING DIRECTION



A

A



B

|              |               |         |                 |               |
|--------------|---------------|---------|-----------------|---------------|
| 1400         | 5             | 7000    | 7.85Kg          | 3.5Kg         |
| PCS/<br>TAPE | REELS/<br>BOX | PCS/BOX | GROSS<br>WEIGHT | NET<br>WEIGHT |



|  |          |                  |      |
|--|----------|------------------|------|
|  | dwg no   | sheet 3 of 3     | size |
|  | 10128787 |                  | A4   |
|  | type     | Customer Drawing |      |

|             |                |   |   |   |  |  |  |  |  |  |  |  |  |  |  |  |  |  |  |
|-------------|----------------|---|---|---|--|--|--|--|--|--|--|--|--|--|--|--|--|--|--|
| sheet index | revision sheet | C | C | C |  |  |  |  |  |  |  |  |  |  |  |  |  |  |  |
|             | 1              | 2 | 3 |   |  |  |  |  |  |  |  |  |  |  |  |  |  |  |  |

B